

1601 MANUAL RELEASE KIT

DoorKing Part Number

1601-270

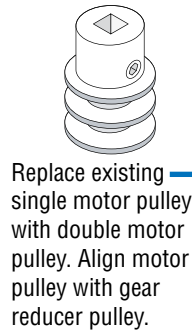
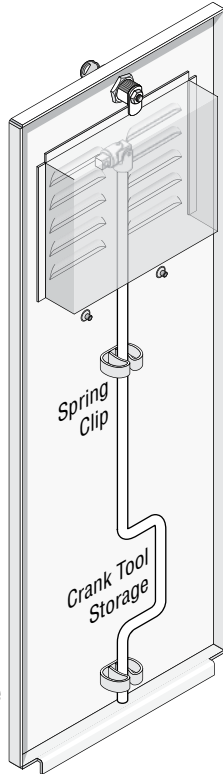
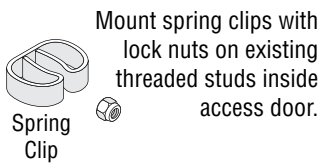
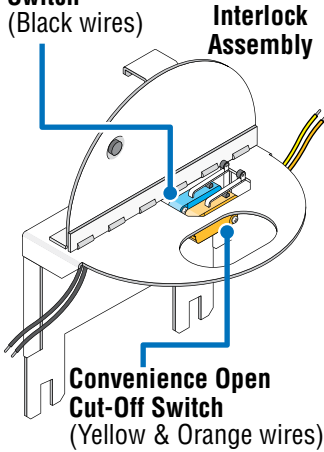
This kit is designed for the 1601 barrier gate operator **WITH or WITHOUT** the convenience open option. It provides an interlock power cut-off switch when manually using crank tool to move the arm up or down.

Kit Includes: Interlock assembly, Double motor pulley, Crank tool, 2 spring clips with lock nuts.

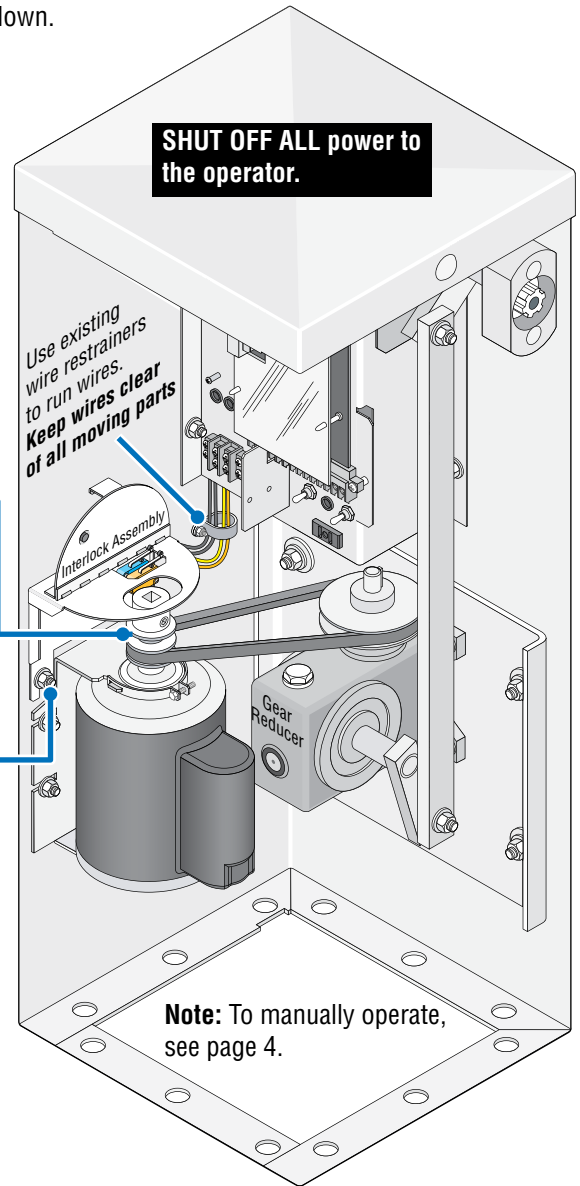
Your Barrier Operator Setup:	Page:
AC Power ONLY	1
AC Power & Break-Away Arm	2
Convenience Open & Break-Away Arm	3
Convenience Open ONLY	4

Installation

Interlock Cut-Off Switch
(Black wires)

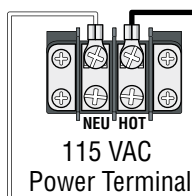
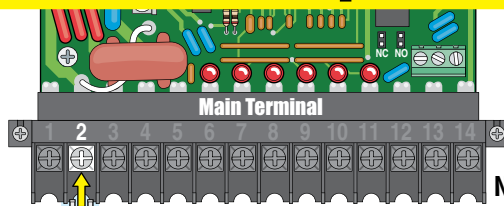


Mount interlock assembly using existing hardware.



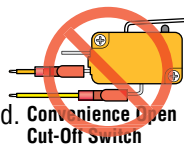
AC Power ONLY Barrier Operator

DANGER
HIGH VOLTAGE!



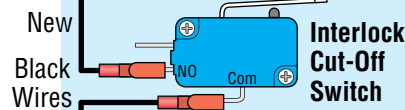
Existing Wire

Note: Convenience open cut-off switch is **NOT** used.



Make sure **ANY** unused wires are properly terminated and do **NOT** have exposed bare wires or metal connectors that could cause the operator to malfunction.

SHUT OFF the AC input power to the operator from the circuit breaker.



Existing Black Wire from #2 Main Terminal

115 VAC Convenience Outlets

AC Power Switch

Connect the interlock cut-off switch wires to the existing black wire connected from main terminal #2.

Copyright 2023 DoorKing®, Inc. All rights reserved.

DKS
DOOR KING®
120 S. Glasgow Avenue
Inglewood, California 90301 U.S.A.

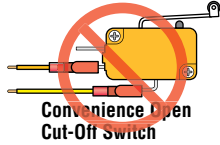
1601-030-D-10-23

AC Power & Break-Away Arm Barrier Operator

SHUT OFF the AC input power to the operator from the circuit breaker.

Octagon Reverse/LED Edge Arm

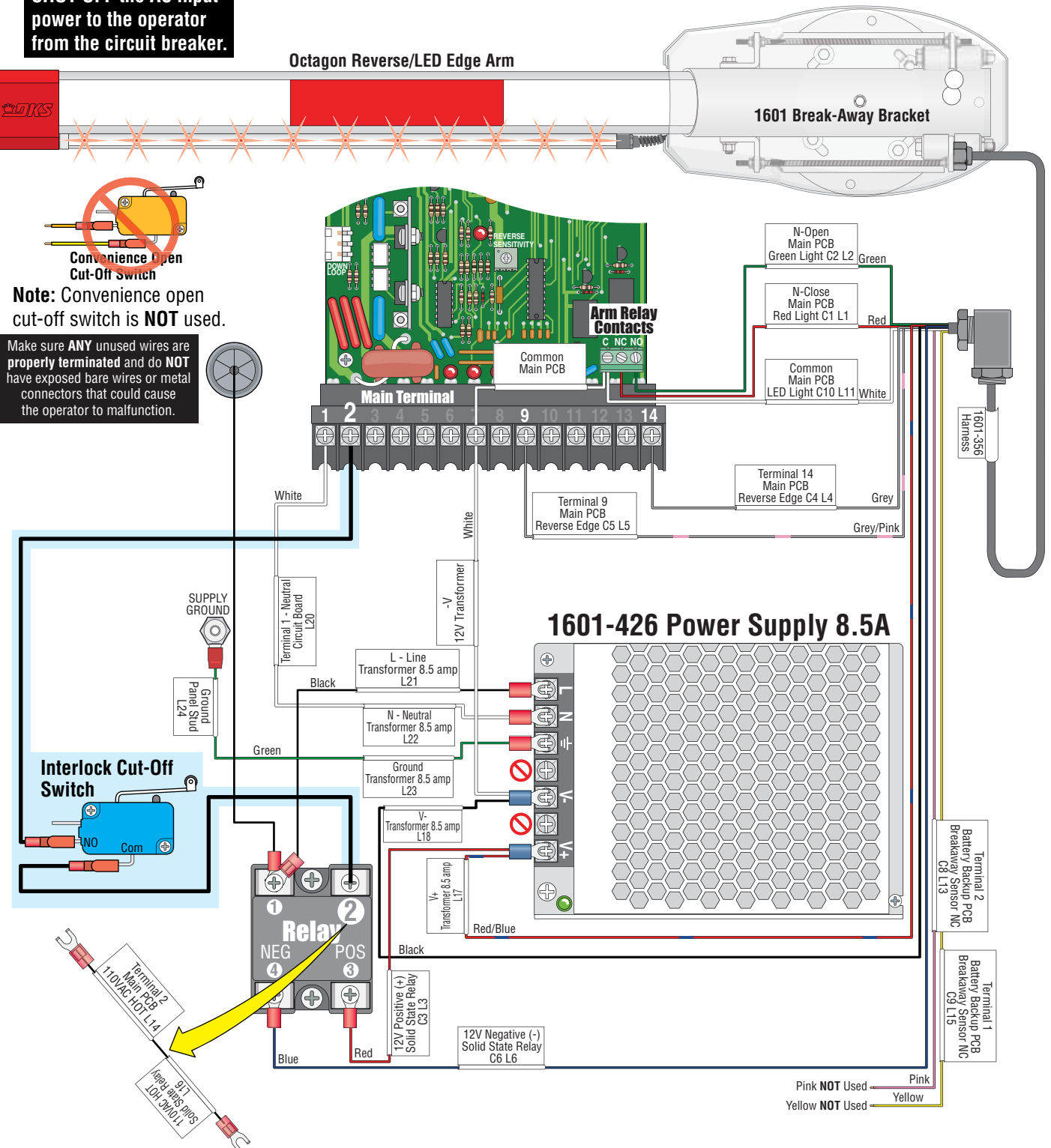
1601 Break-Away Bracket



Convenience Open Cut-Off Switch

Note: Convenience open cut-off switch is **NOT** used.

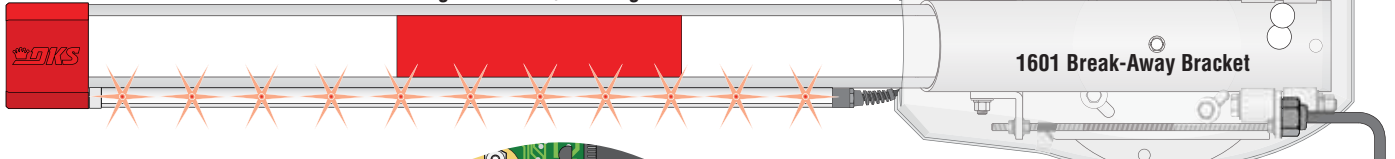
Make sure **ANY** unused wires are properly terminated and do **NOT** have exposed bare wires or metal connectors that could cause the operator to malfunction.



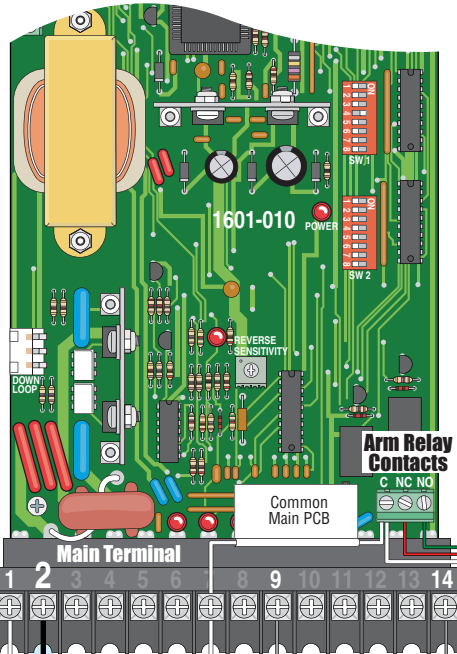
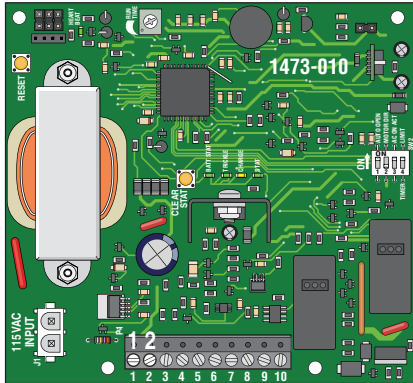
Remove wire from Relay #2 to Main Terminal #2 and replace with Interlock Cut-Off Switch wires.

Convenience Open & Break-Away Arm Barrier Operator

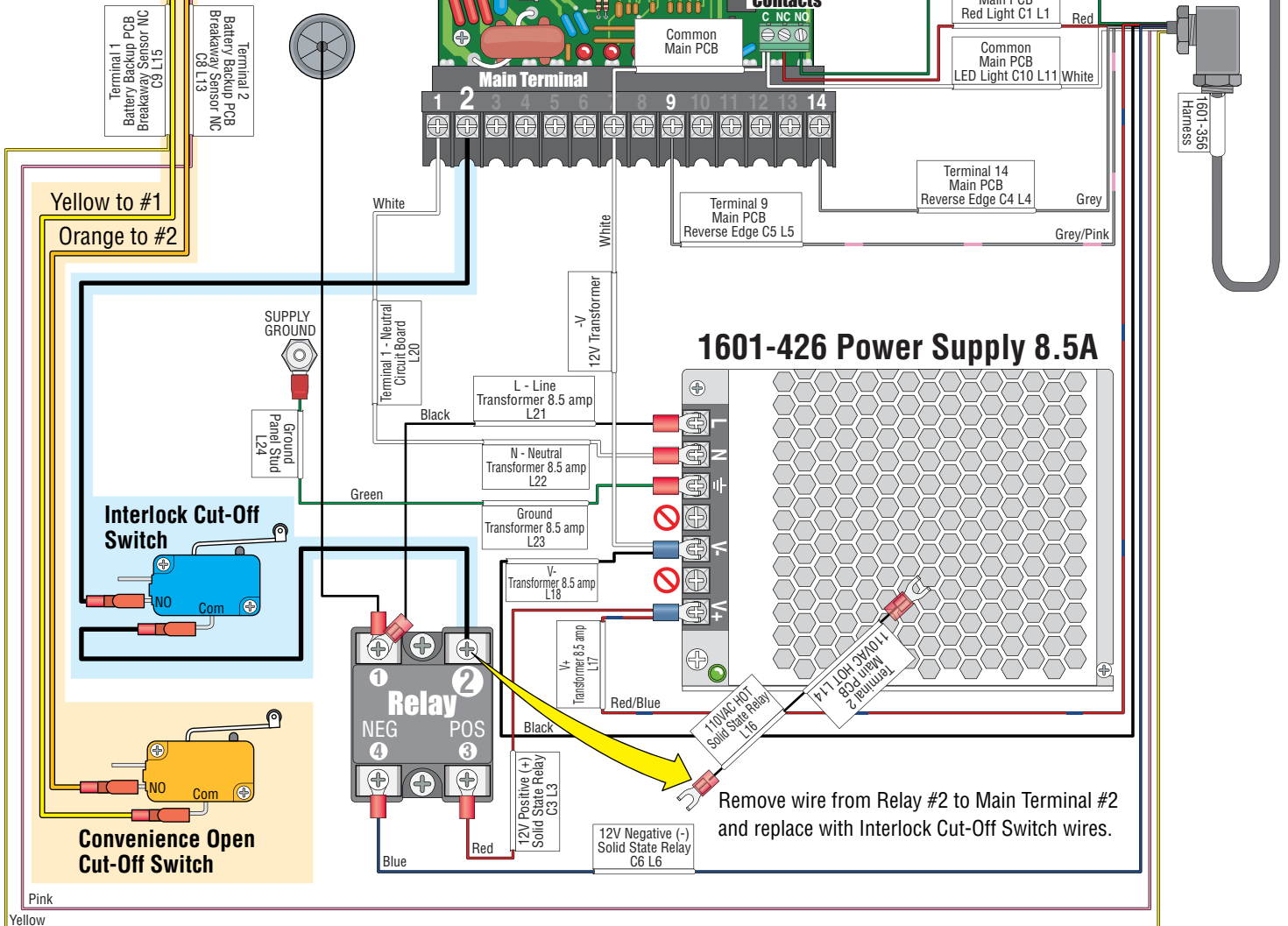
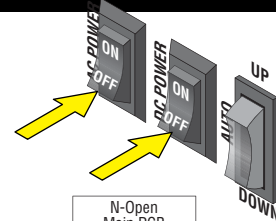
Octagon Reverse/LED Edge Arm



NOTE: Will NOT work with older model 2340-010 convenience open board

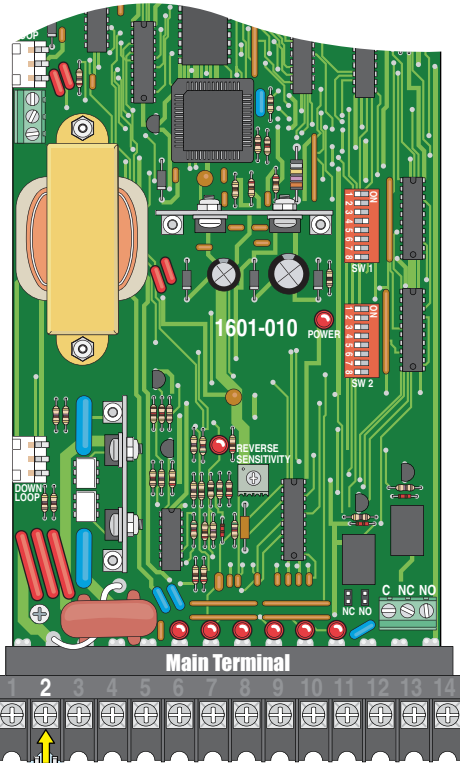
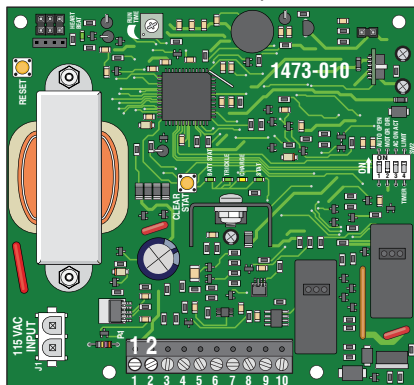


First, SHUT OFF AC and DC power switches on the operator, Then, SHUT OFF the AC input power to the operator from the circuit breaker.

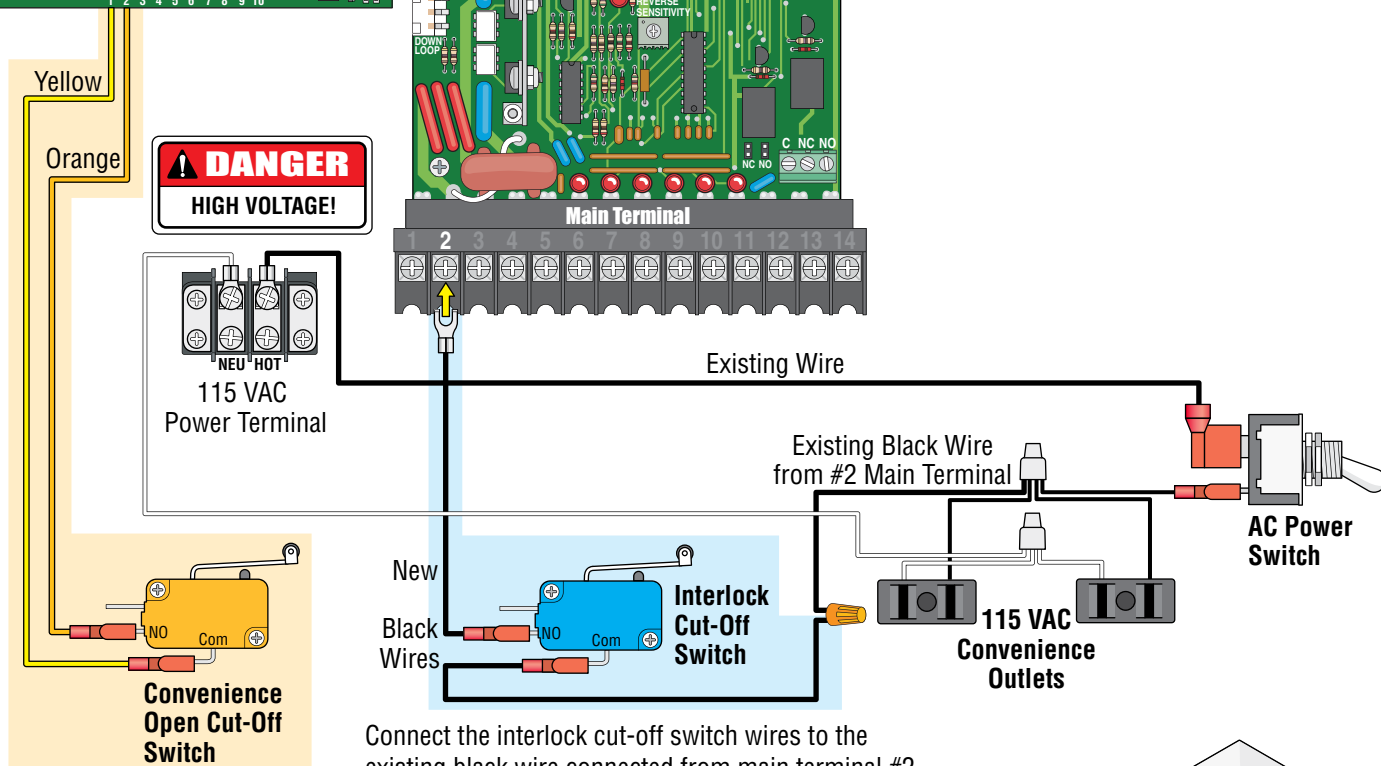
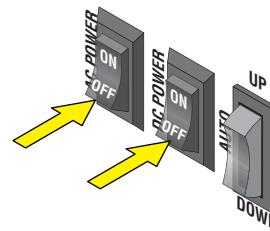


Convenience Open ONLY Barrier Operator

NOTE: Will NOT work with older model 2340-010 convenience open board



First, SHUT OFF AC and DC power switches on the operator, Then, SHUT OFF the AC input power to the operator from the circuit breaker.



Manual Operation

1. Unlock and remove access door.
2. Remove crank tool from inside access door.
3. Flip interlock assembly door up, power will be disabled from operator.
4. Insert crank tool into motor pulley as shown.
5. Rotate crank tool to manually move operator arm up or down.

