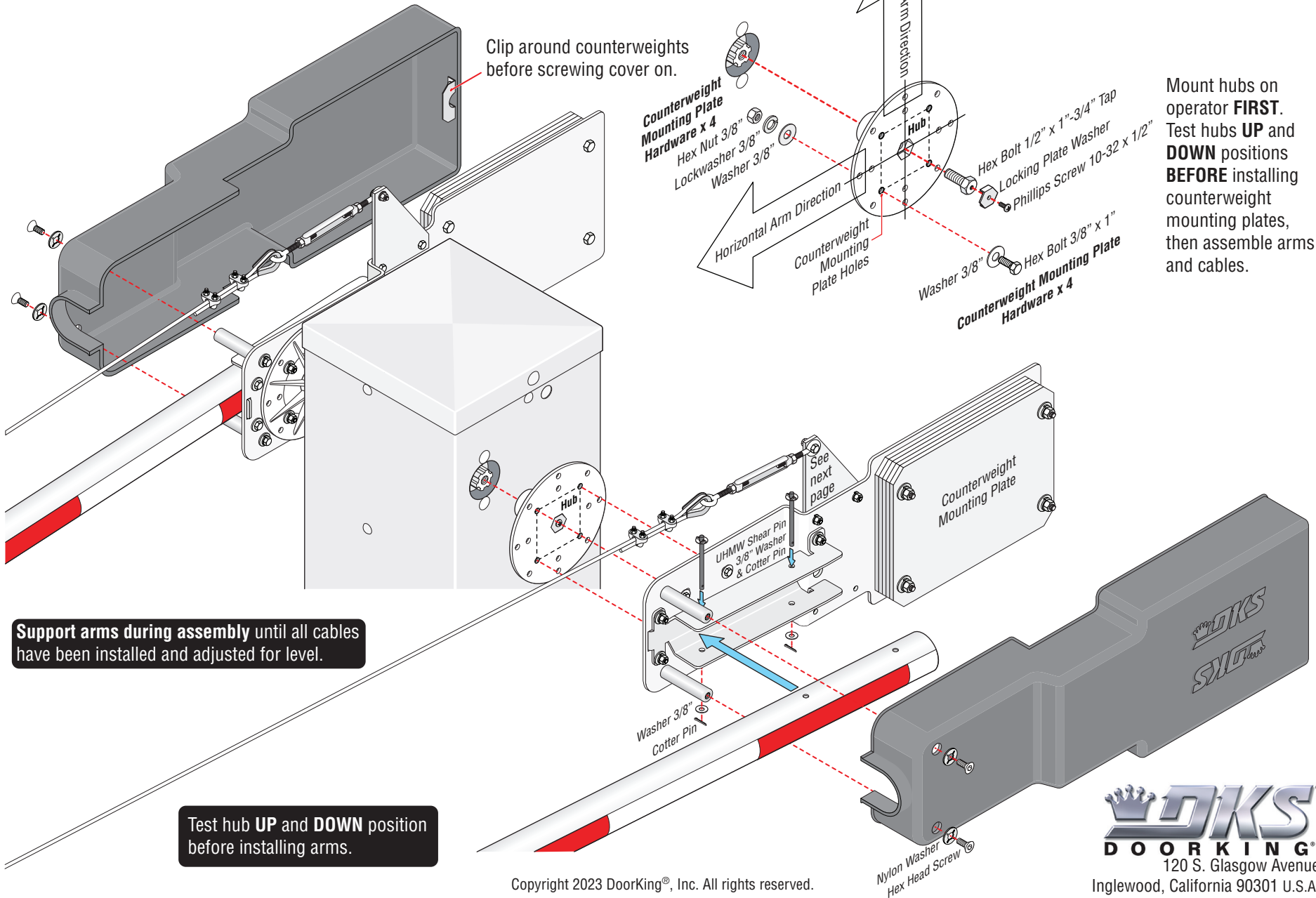


# 3-PIECE ROUND ARM KITS

These kits are designed **ONLY** for the 1602 model barrier gate operator.

DoorKing Part Numbers:

**1602-162** 20 ft Arm    **1602-164** 24 ft Arm    **1602-166** 27 ft Arm



Mount hubs on operator **FIRST**. Test hubs **UP** and **DOWN** positions **BEFORE** installing counterweight mounting plates, then assemble arms and cables.

**Support arms during assembly** until all cables have been installed and adjusted for level.

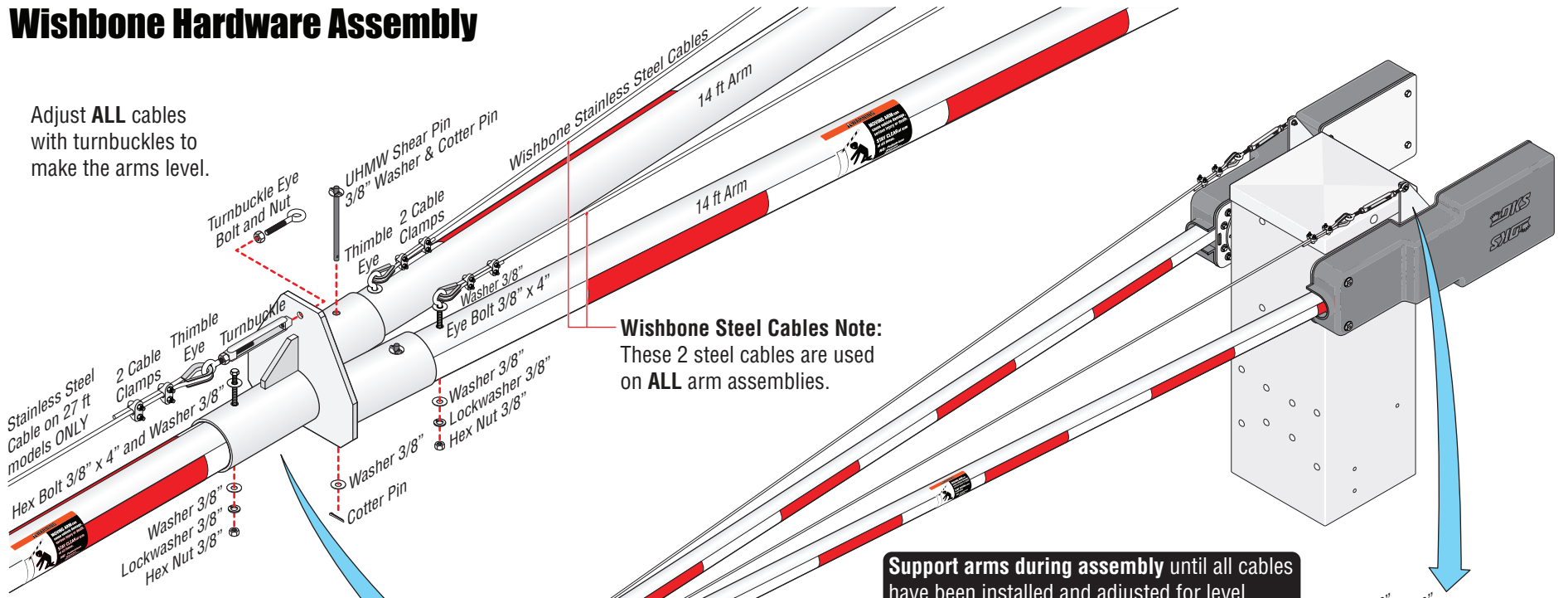
**Test hub UP and DOWN** position before installing arms.

Copyright 2023 DoorKing®, Inc. All rights reserved.



# Wishbone Hardware Assembly

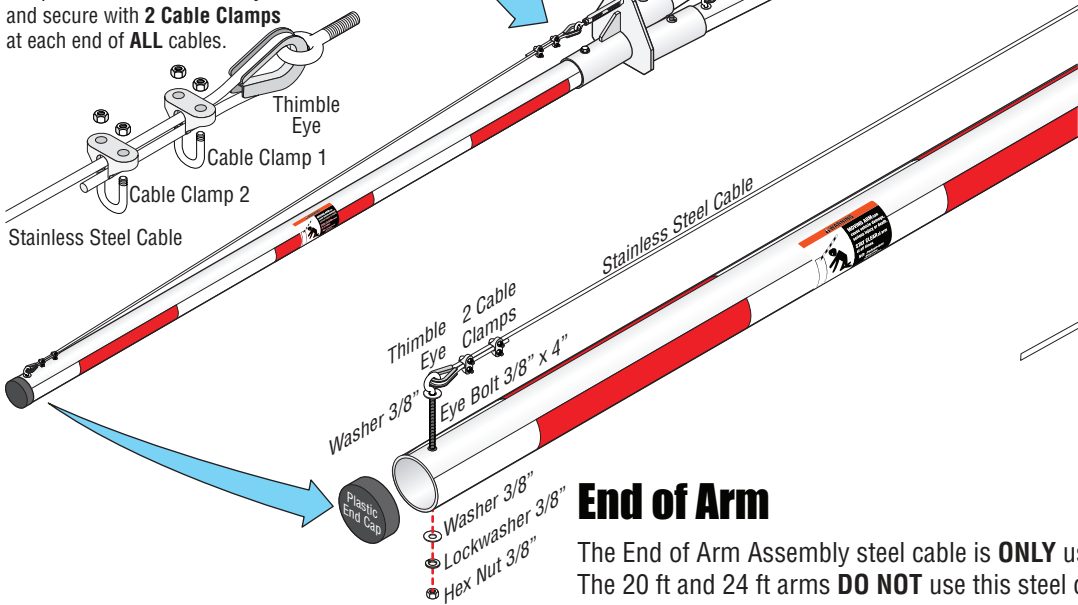
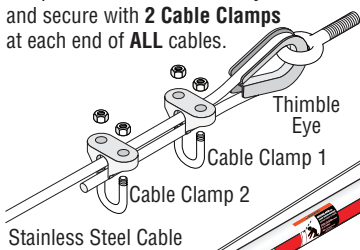
Adjust **ALL** cables with turnbuckles to make the arms level.



**Wishbone Steel Cables Note:**  
These 2 steel cables are used on **ALL** arm assemblies.

**Support arms during assembly** until all cables have been installed and adjusted for level.

Wrap cable around Thimble Eye and secure with **2 Cable Clamps** at each end of **ALL** cables.



## End of Arm

The End of Arm Assembly steel cable is **ONLY** used on the 27 ft arm. The 20 ft and 24 ft arms **DO NOT** use this steel cable.