

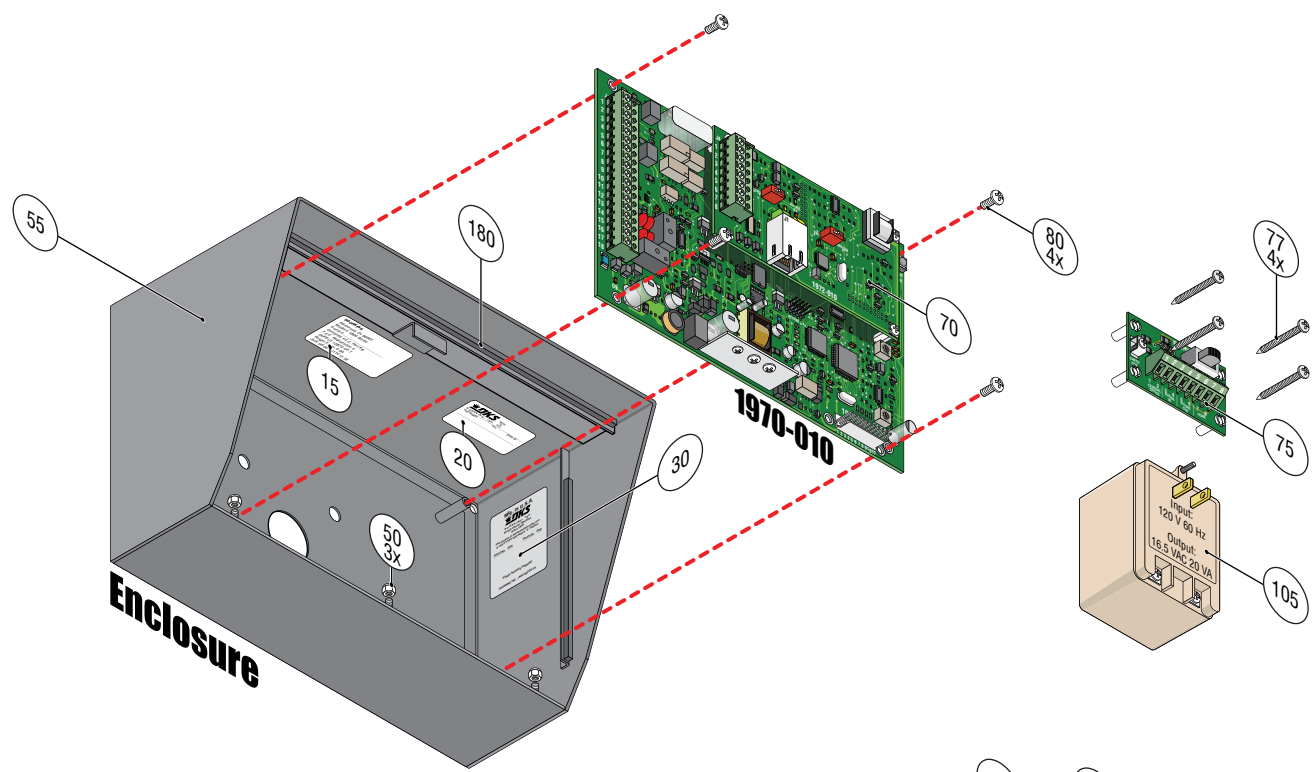
ILLUSTRATED PARTS BREAKDOWN - IPB

Bill of Materials - BOM

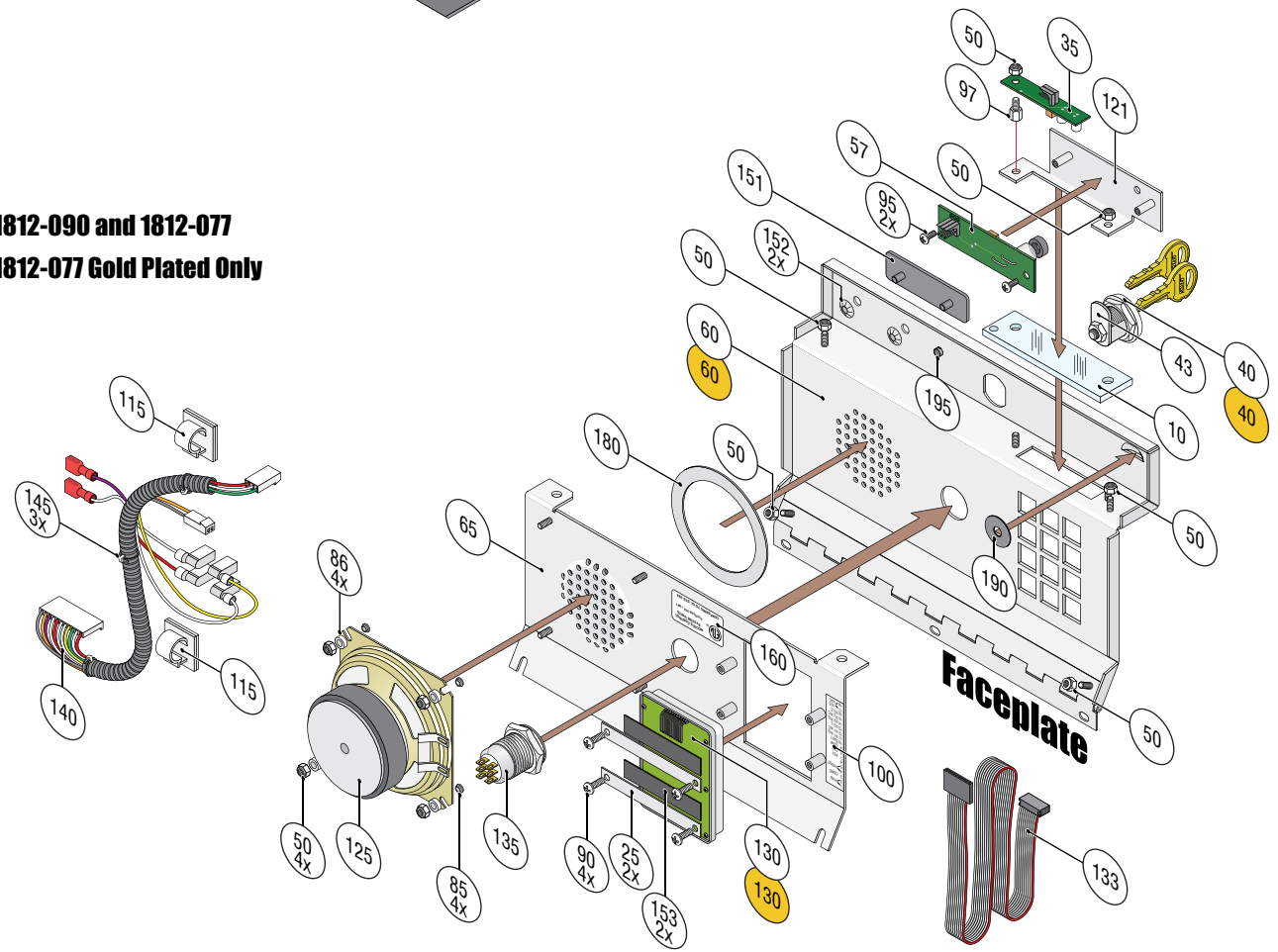
1812 Access Plus Surface Mount 1812-090 Stainless Steel, 1812-077 Gold Plated

Item	Part Number	Quantity	UM	Description
10	1502-005	1	EA	Cover Plastic
15	1812-023	1	EA	Decal FCC
20	1400-009	1	EA	Decal Identification
25	1804-039	2	EA	Retaining Strip Keypad
30	2599-008	1	EA	Label Patent
35	2356-006	1	EA	PCB LED Single LED
40	4001-035	1	EA	Lock N16058BDxSFx2K Key 16120
40	4001-036	1	EA	1812-077 only Lock Gold N16058BDxSFx2K
43	1702-501	1	EA	Cam 7/8"
50	2902-003	13	EA	Nut Nylon Lock 6-32
55	1812-102	1	EA	Box Phone Surface for 1871
57	1998-010	1	EA	PCB Microphone Short, SMT
60	1812-059	1	EA	Faceplate Phone Lghtd Btn
60	1812-151	1	EA	1812-077 only Faceplate Phone Gold Lgt But
65	1812-022	1	EA	Subplate Phone Lghtd Btn
70	1970-010	1	EA	PCB AccessPlus
75	1875-010	1	EA	PCB Pass Switch
77	2616-443	4	EA	Screw Phillips
80	2616-001	4	EA	Screw Phillips Head 6-32 x 3/8
85	1860-126	4	EA	Washer Nylon Shoulder
86	1860-032	4	EA	Washer Nylon Retaining #6
90	2616-003	4	EA	Screw Phillips Head 6-32x3/4SS
95	2904-002	2	EA	Screw Round Head 4-40 x 3/8"
97	2900-928	1	EA	Standoff Stel Male/Female 1/4"
100	3140-045	1	EA	Label 1812 New Wiring
105	1804-060	1	EA	Transformer 16.5 VAC 20VA plug
115	1804-028	2	EA	Mount Wire Clip
121	1812-131	1	EA	Bracket Microphone
125	1804-058	1	EA	Speaker Mylar 8 ohm 3.5"square
130	1895-017	1	EA	Keypad 10 Pin Numbers Header
130	1895-018	1	EA	1812-077 only Keypad Alph/Num Header Gold
133	1804-038	1	EA	Wire Ribbon Cable Assy 10 Cond
135	1812-004	1	EA	Switch Push Button N.O. Lghted
140	1971-190	1	EA	Wire Harness 1812 Front Panel
145	1804-031	3	EA	Tie Wrap 4"
151	2600-734	1	EA	Nameplate Plastic DKS Small
152	2802-040	2	EA	Washer Push on Clamp
153	1897-050	2	EA	Gasket Support Thick 1/16"
160	2600-884	1	EA	Label E.T.L. Separable
180	1800-018	1.66	FT	Weather Strip .125"x .187"
185	1804-196	1	EA	Speaker Gasket 1/16" thick
190	1897-053	1	EA	Gasket, Microphone
195	2600-794	1	EA	Hole Plug Blk Nylon .187" dia.
200	1812-168	1	EA	Manual 1812 Access+ Quickstart
205	1812-160	1	EA	CD Remote 1812 Program
210	1812-162	1	EA	Manual 1812 Access Plus
215	1812-164	1	EA	Caution Sheet 1812 16VAC

1812 Access Plus Surface Mount



- 1812-090 and 1812-077
- 1812-077 Gold Plated Only



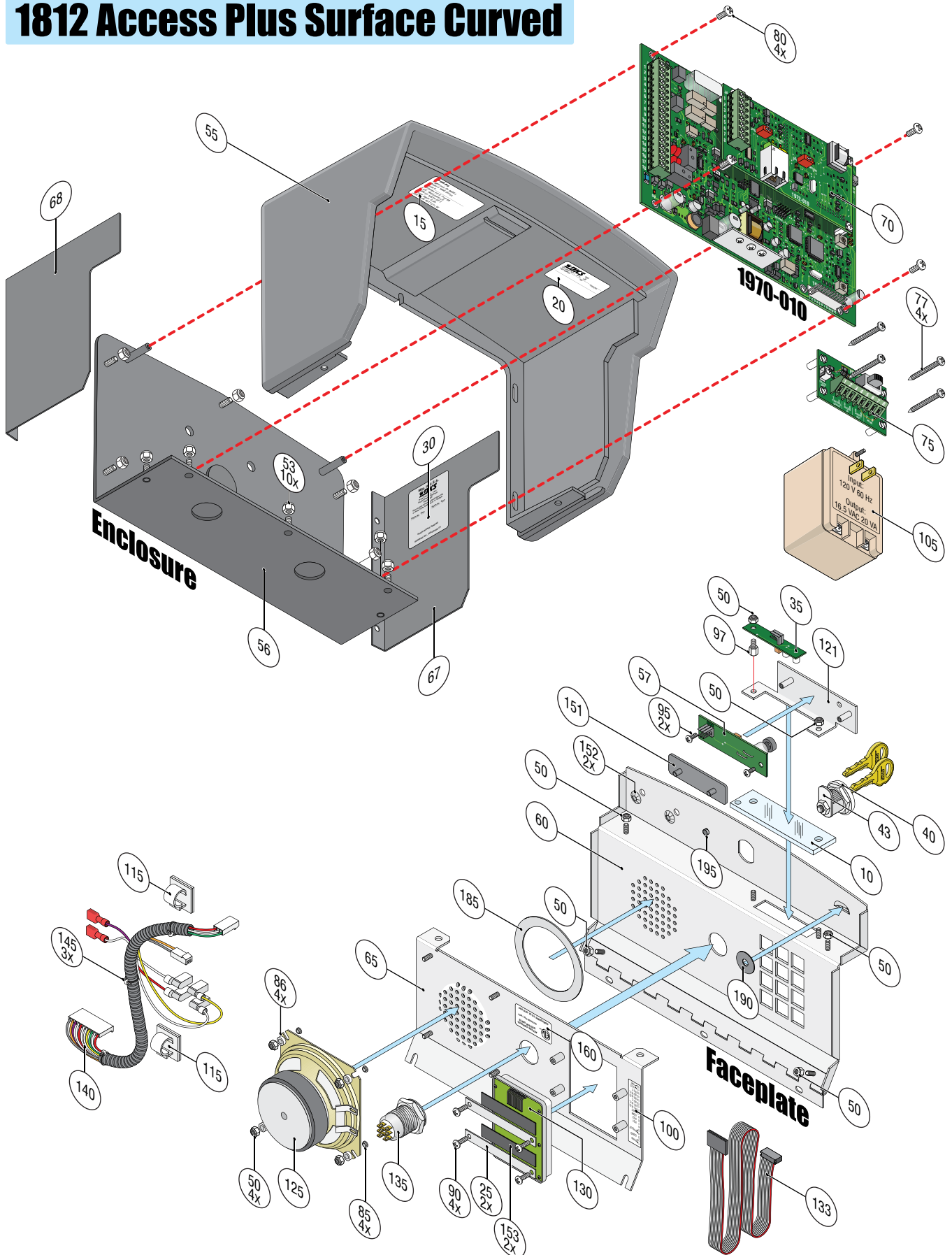
ILLUSTRATED PARTS BREAKDOWN - IPB

Bill of Materials - BOM

1812 Access Plus Surface Curved 1812-096 Stainless Steel

Item	Part Number	Quantity	UM	Description
10	1502-005	1	EA	Cover Plastic
15	1812-023	1	EA	Decal FCC
20	1400-009	1	EA	Decal Identification
25	1804-039	2	EA	Retaining Strip Keypad
30	2599-008	1	EA	Label Patent
35	2356-006	1	EA	PCB LED Single LED
40	4001-035	1	EA	Lock N16058BDxSFx2K Key 16120
43	1702-501	1	EA	Cam 7/8"
50	2902-003	10	EA	Nut Nylon Lock 6-32
53	2902-004	10	EA	Nut Nylon Lock 8-32
55	1812-115	1	EA	Cover Plus Die Cast
56	1812-116	1	EA	Back Plate 1812 Plus
57	1998-010	1	EA	PCB Microphone Short, SMT
60	1812-051	1	EA	Faceplate Phone 1812 Plus
65	1812-022	1	EA	Subplate Phone Lghtd Btn
67	1812-175	1	EA	Panel Right Side
68	1812-176	1	EA	Panel Left Side
70	1970-010	1	EA	PCB AccessPlus
75	1875-010	1	EA	PCB Pass Switch
77	2616-443	4	EA	Screw Phillips
80	2616-001	4	EA	Screw Phillips Head 6-32 x 3/8
85	1860-126	4	EA	Washer Nylon Shoulder
86	1860-032	4	EA	Washer Nylon Retaining #6
90	2616-003	4	EA	Screw Phillips Head 6-32x3/4SS
95	2904-002	2	EA	Screw Round Head 4-40 x 3/8"
97	2900-928	1	EA	Standoff Stel Male/Female 1/4"
100	3140-045	1	EA	Label 1812 New Wiring
105	1804-060	1	EA	Transformer 16.5 VAC 20VA plug
115	1804-028	2	EA	Mount Wire Clip
121	1812-131	1	EA	Bracket Microphone
125	1804-058	1	EA	Speaker Mylar 8 ohm 3.5"square
130	1895-017	1	EA	Keypad 10 Pin Numbers Header
133	1804-038	1	EA	Wire Ribbon Cable Assy 10 Cond
135	1812-004	1	EA	Switch Push Button N.O. Lghted
140	1971-190	1	EA	Wire Harness 1812 Front Panel
145	1804-031	3	EA	Tie Wrap 4"
151	2600-734	1	EA	Nameplate Plastic DKS Small
152	2802-040	2	EA	Washer Push on Clamp
153	1897-050	2	EA	Gasket Support Thick 1/16"
160	2600-884	1	EA	Label E.T.L. Separable
185	1804-196	1	EA	Speaker Gasket 1/16" thick
190	1897-053	1	EA	Gasket, Microphone
195	2600-794	1	EA	Hole Plug Blk Nylon .187" dia.
200	1812-168	1	EA	Manual 1812 Access+ Quickstart
205	1812-160	1	EA	CD Remote 1812 Program
210	1812-162	1	EA	Manual 1812 Access Plus
215	1812-164	1	EA	Caution Sheet 1812 16VAC

1812 Access Plus Surface Curved



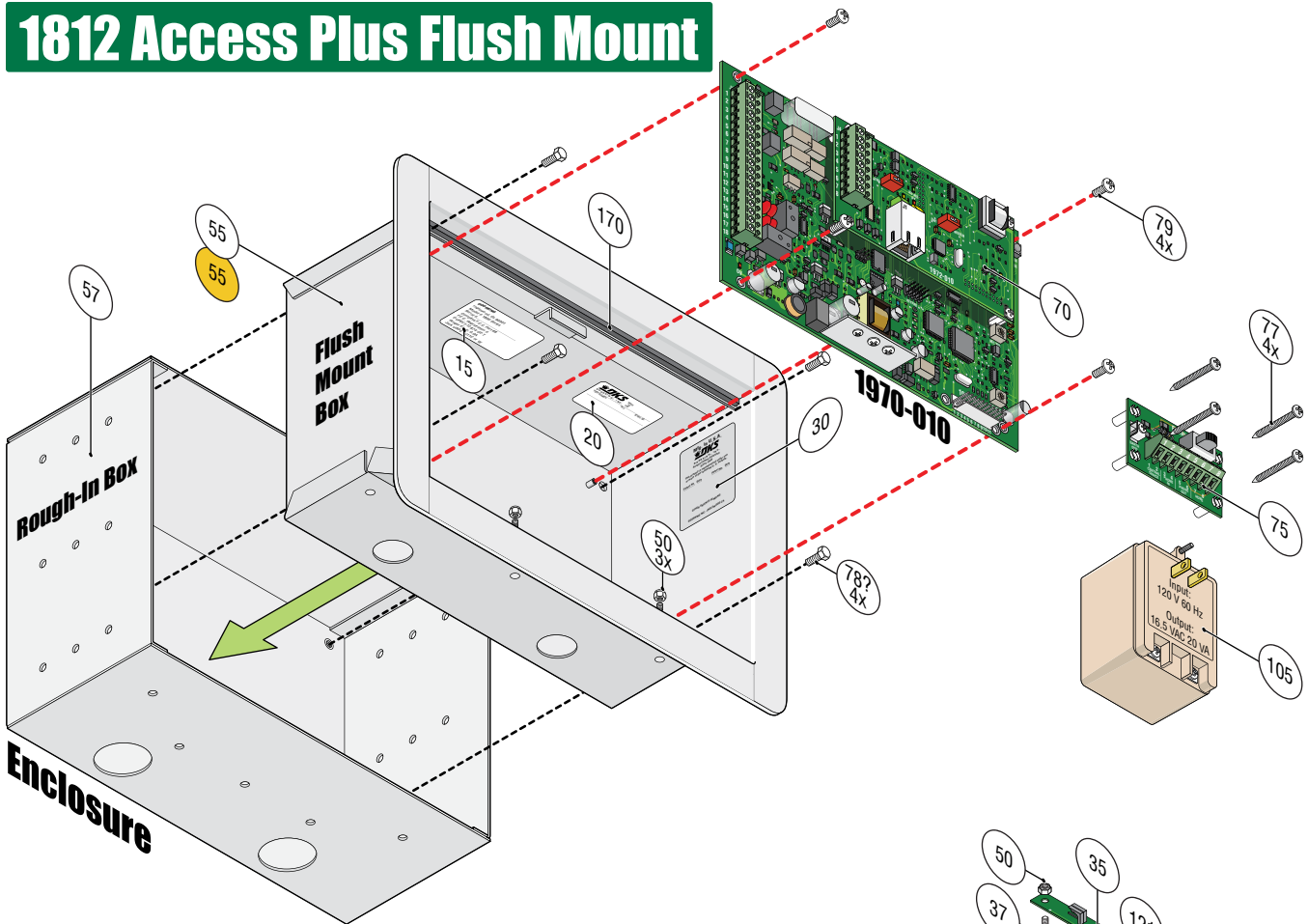
ILLUSTRATED PARTS BREAKDOWN - IPB

Bill of Materials - BOM

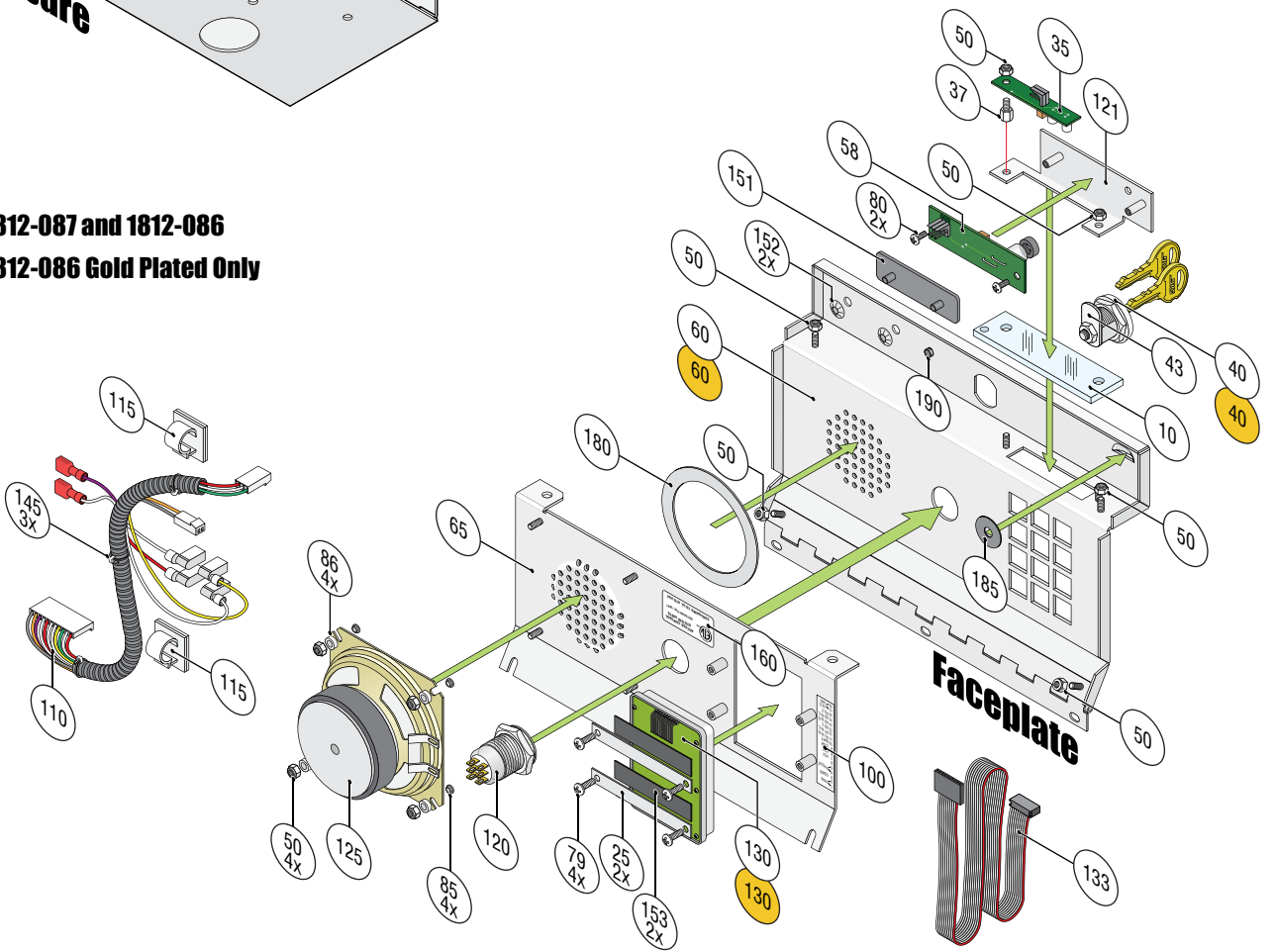
1812 Access Plus Flush Mount 1812-087 Stainless Steel, 1812-086 Gold Plated

Item	Part Number	Quantity	UM	Description
10	1502-005	1	EA	Cover Plastic
15	1812-023	1	EA	Decal FCC
20	1400-009	1	EA	Decal Identification
25	1804-039	2	EA	Retaining Strip Keypad
30	2599-008	1	EA	Label Patent
35	2356-006	1	EA	PCB LED Single LED
37	2900-928	1	EA	Standoff Stel Male/Female 1/4"
40	4001-035	1	EA	Lock N16058BDxSFx2K Key 16120
40	4001-036	1	EA	1812-086 only Lock Gold N16058BDxSFx2K
43	1702-501	1	EA	Cam 7/8"
50	2902-003	13	EA	Nut Nylon Lock 6-32
55	1812-107	1	EA	Box Trim Stainless Steel
55	1812-109	1	EA	1812-086 only Box Trim Gold
57	1812-155	1	EA	Box Rough In
58	1998-010	1	EA	PCB Microphone Short, SMT
60	1812-059	1	EA	Faceplate Phone Lghtd Btn
60	1812-151	1	EA	1812-086 only Faceplate Phone Gold Lgt But
65	1812-022	1	EA	Subplate Phone Lghtd Btn
70	1970-010	1	EA	PCB AccessPlus
75	1875-010	1	EA	PCB Pass Switch
77	2616-443	4	EA	Screw Phillips
78	2616-052	4	EA	Screw Phillips Head 10-32 x1/2
79	2616-001	8	EA	Screw Phillips Head 6-32 x 3/8
80	2904-002	2	EA	Screw Round Head 4-40 x 3/8"
85	1860-126	4	EA	Washer Nylon Shoulder
86	1860-032	4	EA	Washer Nylon Retaining #6
100	3140-045	1	EA	Label 1812 New Wiring
105	1804-060	1	EA	Transformer 16.5 VAC 20VA plug
110	1971-190	1	EA	Wire Harness 1812 Front Panel
115	1804-028	2	EA	Mount Wire Clip
120	1812-004	1	EA	Switch Push Button N.O. Lghted
121	1812-131	1	EA	Bracket Microphone
125	1804-058	1	EA	Speaker Mylar 8 ohm 3.5"square
130	1895-017	1	EA	Keypad 10 Pin Numbers Header
130	1895-018	1	EA	1812-086 only Keypad Alph/Num Header Gold
133	1804-038	1	EA	Wire Ribbon Cable Assy 10 Cond
145	1804-031	3	EA	Tie Wrap 4"
151	2600-734	1	EA	Nameplate Plastic DKS Small
152	2802-040	2	EA	Washer Push on Clamp
153	1897-050	2	EA	Gasket Support Thick 1/16"
160	2600-884	1	EA	Label E.T.L. Separable
170	1800-018	1.66	FT	Weather Strip .125"x .187"
180	1804-196	1	EA	Speaker Gasket 1/16" thick
185	1897-053	1	EA	Gasket, Microphone
190	2600-794	1	EA	Hole Plug Blk Nylon .187" dia.
200	1812-168	1	EA	Manual 1812 Access+ Quickstart
205	1812-160	1	EA	CD Remote 1812 Program
210	1812-162	1	EA	Manual 1812 Access Plus
215	1812-164	1	EA	Caution Sheet 1812 16VAC

1812 Access Plus Flush Mount



- 1812-087 and 1812-086
- 1812-086 Gold Plated Only



ILLUSTRATED PARTS BREAKDOWN - IPB

Bill of Materials - BOM

1812 Access Plus Wall Mount 1812-094 Stainless Steel

Item	Part Number	Quantity	UM	Description
10	1502-005	1	EA	Cover Plastic
15	1812-023	1	EA	Decal FCC
20	1400-009	1	EA	Decal Identification
25	1804-039	2	EA	Retaining Strip Keypad
30	2599-008	1	EA	Label Patent
35	2356-006	1	EA	PCB LED Single LED
45	4001-035	1	EA	Lock N16058BDxSFx2K Key 16120
50	1702-514	1	EA	Cam Wall Mnt. Offset
60	2902-003	17	EA	Nut Nylon Lock 6-32
65	1812-114	1	EA	Box Phone Wall Mount for 1812
70	1998-010	1	EA	PCB Microphone Short, SMT
77	2616-443	4	EA	Screw Phillips
80	1812-112	1	EA	Faceplate Phone Lower Lgt But
85	1812-111	1	EA	Faceplate Phone Upper
90	1812-026	1	EA	Subplate Phone Wall Mount
95	1970-010	1	EA	PCB AccessPlus
100	1875-010	1	EA	PCB Pass Switch
105	2905-003	8	EA	Screw Round Head 6-32 x 1/2"
115	1860-126	4	EA	Washer Nylon Shoulder
120	1860-032	4	EA	Washer Nylon Retaining #6
130	2900-928	1	EA	Standoff Stel Male/Female 1/4"
135	3140-045	1	EA	Label 1812 New Wiring
140	1804-060	1	EA	Transformer 16.5 VAC 20VA plug
155	1804-058	1	EA	Speaker Mylar 8 ohm 3.5"square
160	1895-017	1	EA	Keypad 10 Pin Numbers Header
163	1804-038	1	EA	Wire Ribbon Cable Assy 10 Cond
165	1812-004	1	EA	Switch Push Button N.O. Lghted
170	1804-031	5	EA	Tie Wrap 4"
175	1800-018	1.66	FT	Weather Strip .125"x .187"
180	2600-734	1	EA	Nameplate Plastic DKS Small
183	1897-050	2	EA	Gasket Support Thick 1/16"
185	2802-040	2	EA	Washer Push on Clamp
190	1971-190	1	EA	Wire Harness 1812 Front Panel
195	2600-884	1	EA	Label E.T.L. Separable
200	1804-196	1	EA	Speaker Gasket 1/16" thick
205	1897-053	1	EA	Gasket, Microphone
210	1812-162	1	EA	Manual 1812 Access Plus
225	1812-160	1	EA	CD Remote 1812 Program
230	1812-168	1	EA	Manual 1812 Access+ Quickstart
231	2904-001	2	EA	Screw Round Head 4-40 x 3/8"

1812 Access Plus Wall Mount

