

MODEL 6050/6100 PAD MOUNT BASE KIT

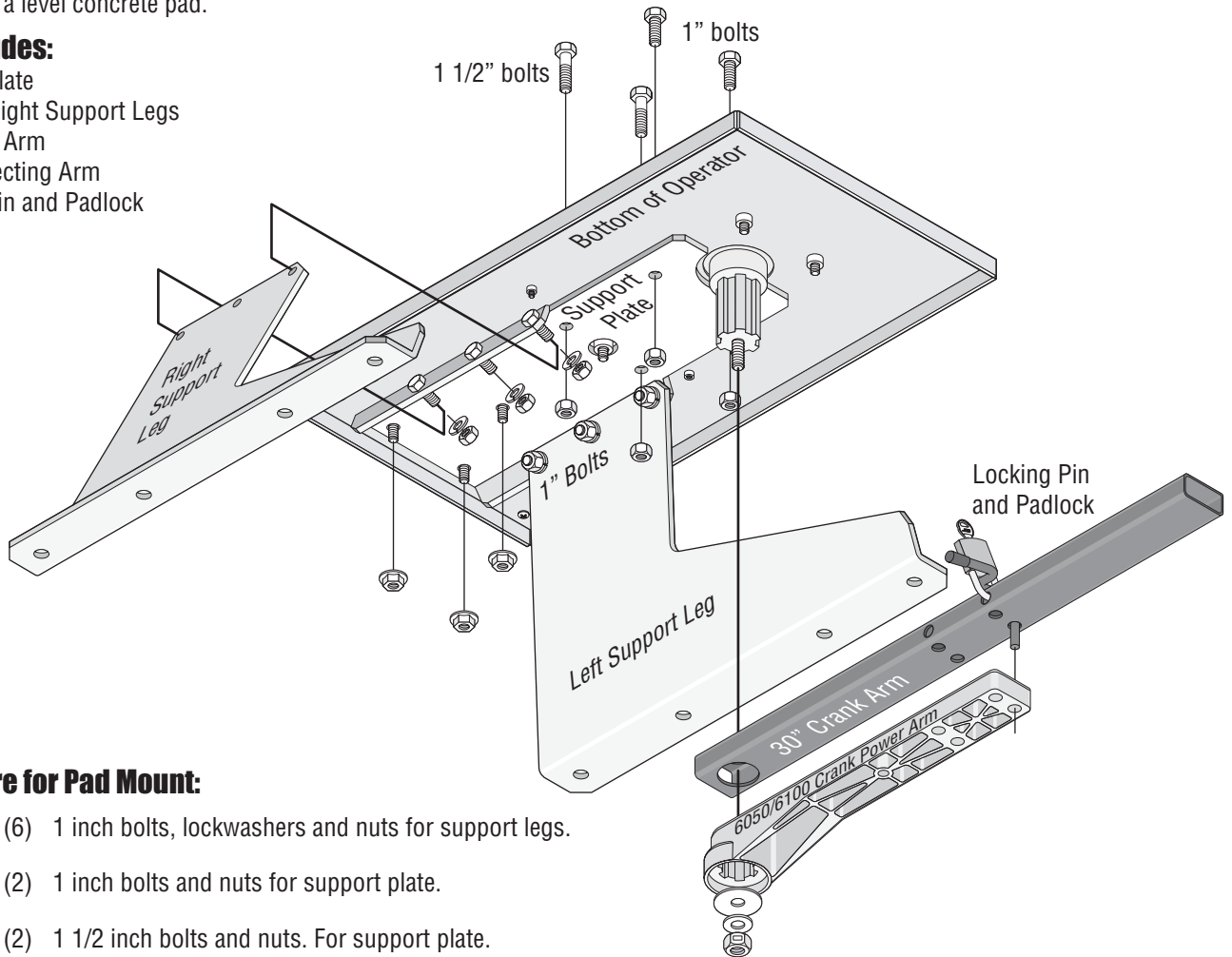
DoorKing Part Number

2600-671





This kit is designed for the 6050/6100 model swing gate operators only. This kit bolts to the bottom of the operator and mounts directly to a level concrete pad.

Kit Includes:

- Support Plate
- Left and Right Support Legs
- 30" Crank Arm
- 60" Connecting Arm
- Locking Pin and Padlock

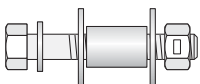


Hardware for Pad Mount:

-  (6) 1 inch bolts, lockwashers and nuts for support legs.
-  (2) 1 inch bolts and nuts for support plate.
-  (2) 1 1/2 inch bolts and nuts. For support plate.
-  (3) Non-slip nuts. For existing threaded studs on bottom of operator.

Refer to the manual for complete installation instructions.
Illustrations are to inventory the pad kit.

Hardware for Connecting Arm:



2 1/4 inch bolt, 3 washers, brass bushing and locknut.

