



Section A2

This Price Schedule is effective March 4, 2024.

Telephone Entry & Access Control Systems

Date	Page	Comment
3-4-24	All	March, 2024 Price Schedule update.
3-1-24	32	Corrected price on 1800-080 and 1800-081.

Entry System Connection Options and Cloud Programming– Your Choice

DoorKing 1830 Series entry system connection options include the DoorKing Cloud as an added benefit at no additional cost. Using the DoorKing Cloud, you can program and manage your access system from any device (laptop, tablet, smartphone) with an internet connection – a dedicated PC is no longer needed. The DoorKing Cloud is included with Cellular, VoIP, DoIP and IM Server subscriptions.

For more information, please visit:

<https://www.doorking.com/easy-connect/programming/cloud>

4G-LTE Cellular Service (Plug & Play)

- Voice and Programming (wireless via the cellular network)
- DKS Cellular (subscription based service)

Internet (VoIP) Connection (Plug & Play)

- Voice and Programming (wired connection)
- DKS Internet or VoIP subscription service required
- Requires 1830-186 Network Adapter for programming¹
- Requires 1815-578 VoIP adapter for DKS VoIP¹ or use third party VoIP adapter²
- Plug & Play for LAN and WAN connections 2334-080^{3,4}

1: Subscription service.

2: DoorKing does not guarantee third party VoIP service. Third party VoIP subscription may be required.

3: Combines 1830-186, 1815-578 and Ethernet switch into a single enclosure.

4: IMPORTANT! When used with 1830 Series systems, the 1830 Series circuit board MUST be Revision Z or higher.

Internet (VoIP) Connection (Manual IP Configuration)

- Voice and Programming (wired connection)
- Manual setup – requires 1830-185 Network adapter
- Manual setup required: determine Default Gateway, set your IP address, setup Port Forwarding, configure Firewall for access, order Static IP address from internet provider or setup DDNS host account
- Compatible with most VoIP providers¹

1: DoorKing does not guarantee third party VoIP service. Third party VoIP subscription may be required.

Land Line Telephone Service³ (POTS line, Cable or Fiber¹)

- Voice and Programming (wired connection)
- Programming options:
 - IM Server Modem (subscription based service)
 - Modem to Modem²

1: Not applicable if Cable or Fiber is a cloud based telephone service.

2: Not compatible with all modems. Requires phone line and modem at programming PC.

3: DoorKing does not recommend using POTS (Plain Old Telephone Service) as a connection option and does not guarantee modem connections as many phone company services and switches no longer support modem communications.

TTY Connection Options

- Allows hearing impaired persons to connect their TTY device to the telephone entry system.
- P/N 1830-310 is factory installed at time of order.
- P/N 1830-315 is an add-on device that can be added to the telephone entry system at any time.

Table of Contents

Telephone Entry & Access Control

Model 1802	4
Model 1803	6
Model 1808	8
Model 1810	10
Model 1812	12
Model 1816	14
Model 1819	16
Model 1833	18
Model 1834	20
Model 1835	22
Model 1837	24
Model 1838	26
Model 1838 Access Plus	28
Model 2100 Series Video Entry Systems	30

Accessories

Connection Options.....	32
Elevator Control.....	33
Tracker Expansion Boards	34
Wireless Kits for Tracker Expansion Boards	35
Telephone Entry Systems Mounting Kits.....	36
Light Kits	37
Utility Enclosures	38
Accessories	40
Replacement Components	41

1802 Telephone Entry System

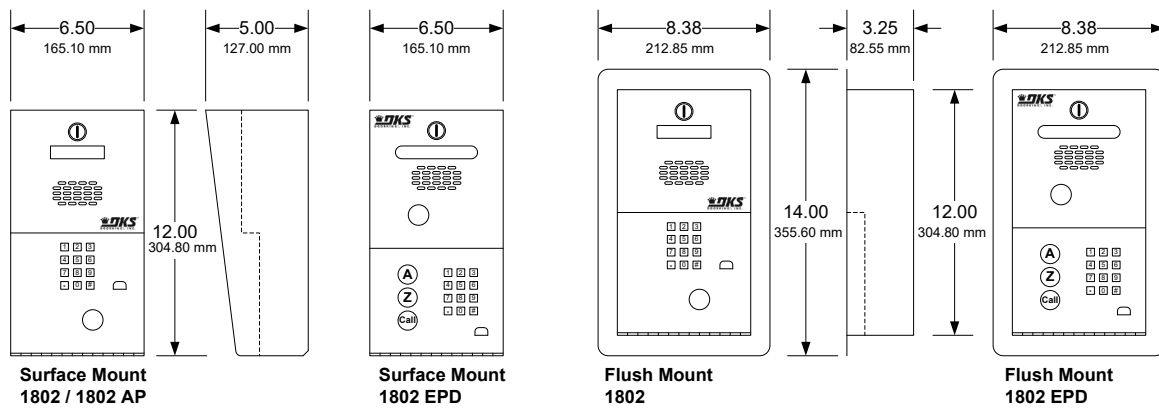
Residential, Commercial

1802 / 1802 EPD

- Hands free full duplex voice communication
- Programmable Directory Codes (1-4 digits)
- 16-digit dialing
- Includes 16 VAC power transformer
- Backlit keypad and A-Z-CALL buttons (EPD only)

1802 AP (Access Plus) ONLY

- Control up to 8 entry points
- IP Addressable
- PC Programmable
- 2-Digit directory codes
- 20-digit dialing
- Includes 16 VAC power transformer



Model	Phone Numbers	Directory ⁶ Names	Entry Codes ¹	Device Codes ²	Relays	Auxiliary Inputs ³	Expansion ⁴	Computer Programmable ⁵	Temporary Codes	Holiday Schedules
1802	600	N/A	1000	0	2	1	No	No	5	No
1802EPD	100	100	100	0	2	1	No	No	5	No
1802AP ⁷	27	N/A	0	100	2	2	6 Max	Yes	10	Yes

1. Entry codes are four (4) digits only and are not the same as device codes. Entry codes grant access when entered on the entry system keypad (or secondary keypad) only.
2. Device codes refer to any five (5) digit RS-485 device used to access an entry point, such as cards, transmitters or PINs (Personal Identification Number). Five (5) digit device codes can also be used on the system keypad.
3. 1802 and 1802EPD, auxiliary input allows a switch closure to activate relay 2, or can be set to auto-dial a preprogrammed telephone number. 1802 AP uses a standard RS-485 data input.
4. Six (6) additional entry points can be controlled via RS-485 card readers, AVID tag readers, RF receivers or digital keypads.
5. AP Programming software available for free download at doorking.com.
6. Single line 16 character 5/16 LCD display.
7. Access Plus model does not have any programming display or electronic directory.

1802 Telephone Entry System

Residential, Commercial

1802 Telephone Entry Systems

1802-082 Surface Mount	1602.00
1802-089 Flush Mount.....	2010.00
1802-090 Surface Mount EPD.....	1962.00
1802-091 Flush Mount EPD	2364.00
1802-092 Surface Mount AP (Access Plus).....	2508.00
1802-093 Flush Mount AP (Access Plus)	2544.00

Service Connection Options

1800-081 Cellular Voice + Data ^{1,2}	1822.00
1800-080 Cellular Voice + Data ^{1,3}	1822.00
1815-578 VoIP Adapter ⁴	194.00

1 - Cellular service plan required (provided by DoorKing).
2 - Use with 1802 AP models.
3 - Use with 1802 and 1802 EPD models.
4 - DKS VoIP subscription required.

1802 Lobby Panels

1802-083 Surface Mount	1194.00
1802-094 Flush Mount.....	1598.00

Lobby panels can only be used with the 1816 or 1820 telephone intercom system. They cannot be connected directly to telephone service.

Accessories

1506-081 Secondary Keypad surface mount	578.00
1506-091 Secondary Keypad flush mount	998.00
1804-193 External Speaker	554.00
1801-008 Backup Battery 12-Volt .8 Ah	120.00
2600-588 Heater Kit (1802, 1802 AP).....	354.00
2600-582 LCD Heater (1802 EPD)	85.70
1812-145 CCTV Color Camera	1334.00
1807-012 Handset Kit (surface mount only).....	550.00
1802-111 Post Mount Adapter Plate ¹	216.00

1. Required if mounting 1802 to gooseneck post.

1830-310 TTY Add-on Factory Installed	408.00
1830-315 TTY Add-on Kit	454.00

1802 AP (ACCESS PLUS ONLY) Expansion Options

2354-010 Conversion Board	236.00
1815-235 Conversion Board w/Enclosure	526.00

Converts 26-bit Wiegand to RS-485. Requires 12-16 VDC power.

1812-018 12-VDC, 1A Transformer	64.00
1200-080 Transformer Box	304.00

1816-083 Intercom Phone Expansion	1490.00
---	---------

The 1816-083 expands the "No Phone Line" telephone intercom interface on Access Plus systems from a single phone line up to 11 phone lines. The system can be further expanded to interface with up to a maximum of 23 phone lines.

RS-485 Card Readers (ACCESS PLUS ONLY)

1815-337 DK ProxPlus Secure	596.00
1815-332 DK Prox Reader	578.00
1815-232 ID Tech Reader	658.00
1815-233 AWID Reader.....	690.00
1815-234 HID Reader	1194.00

RS-485 Keypads (ACCESS PLUS ONLY)

1513-081 Surface Mount	708.00
1513-082 Flush Mount.....	878.00

RS-485 RF Controls (ACCESS PLUS ONLY)

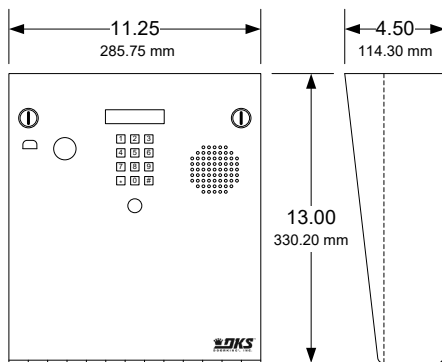
8053-080 MicroPlus Receiver.....	282.00
----------------------------------	--------

1803 Telephone Entry System

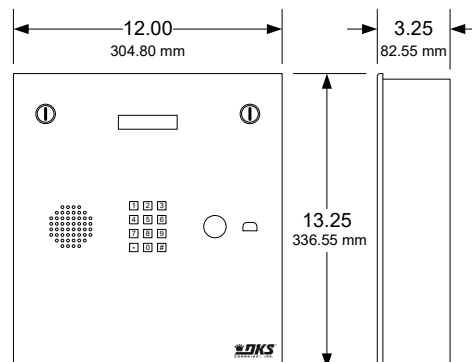
Residential, Commercial

1803

- Hands free full duplex voice communication
- Programmable Directory Codes (1-4 digits)
- 16-digit dialing
- Includes 16 VAC power transformer
- Stainless steel faceplate
- Galvanized steel sub-plate
- Metal keypads and buttons
- Postal lock provision



Surface Mount



Flush Mount

Model	Phone Numbers	Directory Names	Entry Codes ¹	Device Codes ²	Relays	Auxiliary Inputs ³	Expansion	Computer Programmable	Temporary Codes	Holiday Schedules
1803	600	N/A	1000	0	2	1	No	No	5	No

1. Entry codes are four (4) digits only and are not the same as device codes. Entry codes grant access when entered on the entry system keypad (or secondary keypad) only.
2. Device codes are not used with the 1803.
3. 1803 auxiliary input allows a switch closure to activate relay 2, or can be set to auto-dial a preprogrammed telephone number.

1803 Telephone Entry System

Residential, Commercial

1803 Telephone Entry Systems

1803-080 Surface Mount	2100.00
1803-084 Flush Mount.....	2100.00

1803 Lobby Panels

1803-090 Surface Mount	1398.00
1803-092 Flush Mount.....	1398.00

Lobby panels can only be used with the 1816 or 1820 telephone intercom system. They cannot be connected directly to telephone service.

Service Connection Options

1800-080 Cellular Voice + Data ¹	1822.00
1815-578 VoIP Adapter ²	194.00

1 - Cellular service plan required (provided by DoorKing).

2 - DKS VoIP subscription required.

Mounting Accessories

1803-150 Surface Mount Recess Kit.....	418.00
1814-165 Flush Mount Kit Stainless Steel	716.00

Accessories

1506-081 Secondary Keypad surface mount.....	578.00
1506-091 Secondary Keypad flush mount.....	998.00
1720-080 LED Light Kit	578.00
1804-193 External Speaker	554.00
1801-008 Backup Battery 12-Volt .8 Ah	120.00
2600-584 Heater Kit	220.00
1812-145 CCTV Color Camera	1334.00
1807-012 Handset Kit (<i>surface mount only</i>)	550.00
1830-310 TTY Add-on Factory Installed	408.00
1830-315 TTY Add-on Kit.....	454.00

1808 Telephone Entry System

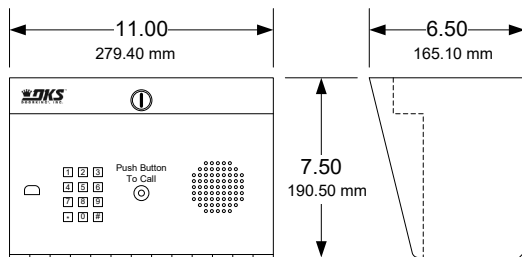
Residential, Commercial

1808

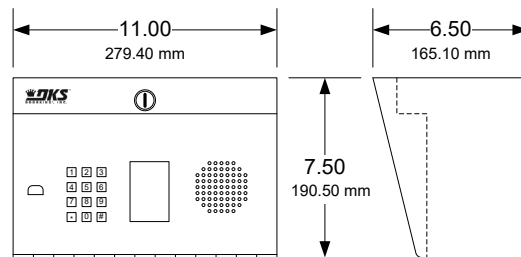
- Hands free full duplex voice communication
- Programmable Directory Codes (1-4 digits)
- 16-digit dialing
- Includes 16 VAC power transformer

1808 AP (Access Plus) ONLY

- Control up to 8 entry points
- IP Addressable
- PC Programmable
- 2-Digit directory codes
- 20-digit dialing
- Includes 16 VAC power transformer



**Surface Mount
1808**



**Surface Mount w/Directory
1808 / 1808 AP**

Model	Phone Numbers	Directory ⁶ Names	Entry Codes ¹	Device Codes ²	Relays	Auxiliary Inputs ³	Expansion ⁴	Computer Programmable ⁵	Temporary Codes	Holiday Schedules
1808	600	N/A	1000	0	2	1	No	No	5	No
1808AP ⁷	27	N/A	0	100	2	2	6 Max	Yes	10	Yes

1. Entry codes are four (4) digits only and are not the same as device codes. Entry codes grant access when entered on the entry system keypad (or secondary keypad) only.
2. Device codes refer to any five (5) digit RS-485 device used to access an entry point, such as cards, transmitters or PINs (Personal Identification Number). Five (5) digit device codes can also be used on the system keypad.
3. 1808 auxiliary input allows a switch closure to activate relay 2, or can be set to auto-dial a preprogrammed telephone number. 1808 AP uses a standard RS-485 data input.
4. Six (6) additional entry points can be controlled via RS-485 card readers, AVID tag readers, RF receivers or digital keypads.
5. AP Programming software available for free download at doorking.com.
6. Paper directory.
7. Directory can be printed from Access Plus programming software.

1808 Telephone Entry System

Residential, Commercial

1808 Telephone Entry Systems

1808-082 Surface Mount w/Directory	2100.00
1808-084 Surface Mount	1962.00
1808-085 Surface Mount AP (Access Plus).....	2508.00

1808 Lobby Panels

1808-081 Surface Mount	1362.00
1808-083 Surface Mount w/Directory	1490.00

Lobby panels can only be used with the 1816 or 1820 telephone intercom system. They cannot be connected directly to telephone service.

Service Connection Options

1800-081 Cellular Voice + Data ^{1,2}	1822.00
1800-080 Cellular Voice + Data ^{1,3}	1822.00
1815-578 VoIP Adapter ⁴	194.00

1 - Cellular service plan required (provided by DoorKing).

2 - Use with 1802 AP models.

3 - Use with 1802 and 1802 EPD models.

4 - DKS VoIP subscription required.

Accessories

1506-081 Secondary Keypad surface mount	578.00
1506-091 Secondary Keypad flush mount	998.00
1804-193 External Speaker	554.00
1801-008 Backup Battery 12-Volt .8 Ah	120.00
1812-145 CCTV Color Camera.....	1334.00

1830-310 TTY Add-on Factory Installed	408.00
---	--------

1830-315 TTY Add-on Kit	454.00
-------------------------------	--------

1808 AP (ACCESS PLUS ONLY) Expansion Options

2354-010 Conversion Board	236.00
1815-235 Conversion Board w/Enclosure	526.00

Converts 26-bit Wiegand to RS-485. Requires 12-16 VDC power.

1812-018 12-VDC, 1A Transformer	64.00
1200-080 Transformer Box	304.00

1816-083 Intercom Phone Expansion	1490.00
---	---------

The 1816-083 expands the "No Phone Line" telephone intercom interface on Access Plus systems from a single phone line up to 11 phone lines. The system can be further expanded to interface with up to a maximum of 23 phone lines.

RS-485 Card Readers (ACCESS PLUS ONLY)

1815-337 DK ProxPlus Secure	596.00
1815-332 DK Prox Reader	578.00
1815-232 ID Tech Reader	658.00
1815-233 AWID Reader.....	690.00
1815-234 HID Reader	1194.00

RS-485 Keypads (ACCESS PLUS ONLY)

1513-081 Surface Mount	708.00
1513-082 Flush Mount.....	878.00

RS-485 RF Controls (ACCESS PLUS ONLY)

8053-080 MicroPlus Receiver.....	282.00
----------------------------------	--------

1810 Telephone Entry System

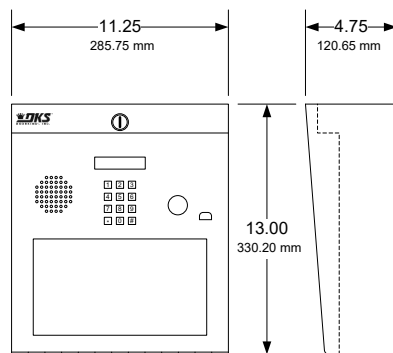
Residential, Commercial

1810

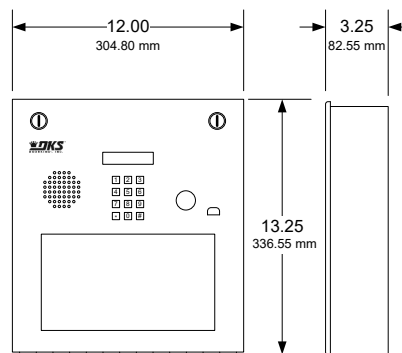
- Hands free full duplex voice communication
- Programmable Directory Codes (1-4 digits)
- 16-digit dialing
- Includes 16 VAC power transformer

1810 AP (Access Plus) ONLY

- Control up to 8 entry points
- IP Addressable
- PC Programmable
- 2-Digit directory codes
- 20-digit dialing
- Includes 16 VAC power transformer



**Surface Mount
1810 / 1810 AP**



**Flush Mount
1810 / 1810 AP**

Model	Phone Numbers	Directory ⁶ Names	Entry Codes ¹	Device Codes ²	Relays	Auxiliary Inputs ³	Expansion ⁴	Computer Programmable ⁵	Temporary Codes	Holiday Schedules
1810	600	N/A	1000	0	2	1	No	No	5	No
1810AP ⁷	27	N/A	0	100	2	2	6 Max	Yes	10	Yes

1. Entry codes are four (4) digits only and are not the same as device codes. Entry codes grant access when entered on the entry system keypad (or secondary keypad) only.
2. Device codes refer to any five (5) digit RS-485 device used to access an entry point, such as cards, transmitters or PINs (Personal Identification Number). Five (5) digit device codes can also be used on the system keypad.
3. 1810 auxiliary input allows a switch closure to activate relay 2, or can be set to auto-dial a preprogrammed telephone number. 1810 AP uses a standard RS-485 data input.
4. Six (6) additional entry points can be controlled via RS-485 card readers, AVID tag readers, RF receivers or digital keypads.
5. AP Programming software available for free download at doorking.com.
6. Paper directory.
7. Access Plus model does not have any programming display. Directory can be printed from Access Plus programming software.

1810 Telephone Entry System

Residential, Commercial

1810 Telephone Entry Systems

1810-080 Surface Mount	2038.00
1810-084 Flush Mount.....	2038.00
1810-095 Surface Mount AP (Access Plus).....	2668.00
1810-096 Flush Mount AP (Access Plus)	2668.00

1810 Lobby Panels

1810-088 Surface Mount	1580.00
1810-090 Flush Mount.....	1580.00

Lobby panels can only be used with the 1816 or 1820 telephone intercom system. They cannot be connected directly to telephone service.

Service Connection Options

1800-081 Cellular Voice + Data ^{1,2}	1822.00
1800-080 Cellular Voice + Data ^{1,3}	1822.00
1815-578 VoIP Adapter ⁴	194.00

1 - Cellular service plan required (provided by DoorKing).
 2 - Use with 1802 AP models.
 3 - Use with 1802 and 1802 EPD models.
 4 - DKS VoIP subscription required.

Accessories

1803-150 Surface Mount Recess Kit	418.00
1814-165 Flush Mount Kit Stainless Steel	716.00
1814-152 Surface Mount Ring for Flush Units	306.00

Accessories

1506-081 Secondary Keypad surface mount	578.00
1506-091 Secondary Keypad flush mount	998.00
1720-080 LED Light Kit.....	578.00
1804-193 External Speaker	554.00
1801-008 Backup Battery 12-Volt .8 Ah.....	120.00
2600-584 Heater Kit.....	220.00
1812-145 CCTV Color Camera.....	1334.00
1807-012 Handset Kit (surface mount only).....	550.00
1830-310 TTY Add-on Factory Installed	408.00

1810 AP (ACCESS PLUS ONLY) Expansion Options

2354-010 Conversion Board	236.00
1815-235 Conversion Board w/Enclosure	526.00

Converts 26-bit Wiegand to RS-485. Requires 12-16 VDC power.

1812-018 12-VDC, 1A Transformer	64.00
1200-080 Transformer Box	304.00

1816-083 Intercom Phone Expansion 1490.00
The 1816-083 expands the "No Phone Line" telephone intercom interface on Access Plus systems from a single phone line up to 11 phone lines. The system can be further expanded to interface with up to a maximum of 23 phone lines.

RS-485 Card Readers (ACCESS PLUS ONLY)

1815-337 DK ProxPlus Secure	596.00
1815-332 DK Prox Reader	578.00
1815-232 ID Tech Reader	658.00
1815-233 AWID Reader.....	690.00
1815-234 HID Reader	1194.00

RS-485 Keypads (ACCESS PLUS ONLY)

1513-081 Surface Mount	708.00
1513-082 Flush Mount.....	878.00

RS-485 RF Controls (ACCESS PLUS ONLY)

8053-080 MicroPlus Receiver.....	282.00
----------------------------------	--------

1812 Telephone Entry Systems

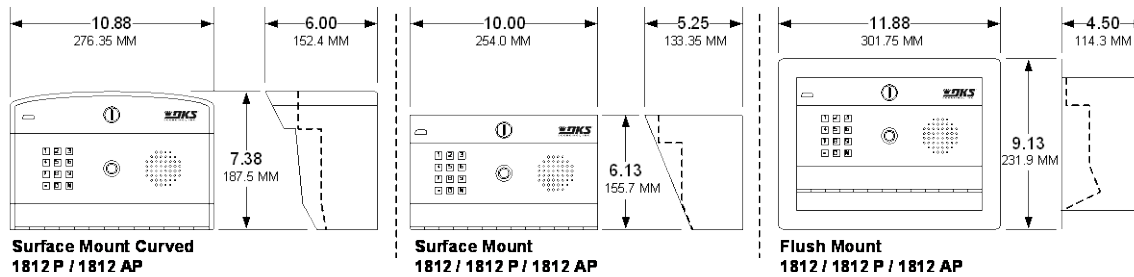
Residential

1812 (Classic)

- 2-Digit directory codes
- 11-digit dialing
- Includes 24 VAC transformer
- Call Forward Time Zones
- Do Not Disturb
- Analog Voice Circuit

1812 P and 1812 AP

- 2-Digit directory codes
- 20-digit dialing
- Includes 16 VAC transformer
- Call Forward Time Zones
- Do Not Disturb Feature
- HD Digital Voice Circuit



Model	Phone Numbers	Directory Names	Entry Codes ¹	Device Codes ²	Relays	Auxiliary Inputs ³	Expansion ⁴	Computer Programmable ⁵	Temporary Codes	Holiday Schedules
1812	3	N/A	50	0	2	0	No	No	5	No
1812P	27	N/A	0	50	2	0	No	No	10	No
1812AP	27	N/A	0	100	2	2	6	Yes	10	Yes

1. Entry codes are four (4) digits on the 1812. Entry codes grant access when entered on the entry system keypad (or secondary keypad) only.
2. Device codes refer to any five (5) digit RS-485 device used to access an entry point, such as cards, transmitters or PINs (Personal Identification Number). Five (5) digit device codes can also be used as entry codes and are used on the system keypad.
3. 1812 AP uses a standard RS-485 data input.
4. Six (6) additional entry points can be controlled via RS-485 card readers, AVID tag readers, RF receivers or digital keypads.
5. Access Plus Programming software available for free download at doorking.com.

1812 Telephone Entry Systems

Residential

1812 Classic Systems

1812-081 Surface Mount	1982.00
1812-097 Surface Mount w/Camera.....	3144.00
1812-087 Flush Mount.....	2240.00

1812 Plus Systems

1812-095 Surface Mount Curved	3036.00
1812-089 Surface Mount	2762.00
1812-098 Surface Mount w/Camera.....	3922.00
1812-091 Flush Mount.....	3024.00

Service Connection Options

1800-081 Cellular Voice + Data ^{1,2}	1822.00
1800-080 Cellular Voice + Data ^{1,3}	1822.00
1815-578 VoIP Adapter ⁴	194.00

1 - Cellular service plan required (provided by DoorKing).
 2 - Use with 1802 AP models.
 3 - Use with 1802 and 1802 EPD models.
 4 - DKS VoIP subscription required.

Accessories

1812-105 Stainless Steel Surface Mount Housing ¹	604.00
1506-081 Secondary Keypad surface mount	578.00
1506-091 Secondary Keypad flush mount	998.00
2600-588 Heater Kit (for surface mount units)	354.00
2600-582 Heater Kit (for flush mount units)	85.70
1830-310 TTY Add-on Factory Installed	408.00
1830-315 TTY Add-on Kit	454.00
1812-145 CCTV Color Camera (use w/ 088, 093, 094)	1334.00
1812-147 CCTV Color Camera.....	1334.00
1812-074 Conversion Kit ³	2310.00

- 1 - Replaces the black steel housing.
 2 - Secondary keypad not available on Plus models.
 3 - Upgrades older 1812 units to an 1812 Access Plus unit.

1812 Access Plus Systems

1812-096 Surface Mount Curved	3170.00
1812-090 Surface Mount	2900.00
1812-099 Surface Mount w/Camera.....	4062.00
1812-092 Flush Mount.....	3158.00

1812 Access Plus Expansion Options

2354-010 Conversion Board	236.00
1815-235 Conversion Board w/Enclosure	526.00

Converts 26-bit Wiegand to RS-485. Requires 12-16 VDC power.

1812-018 12-VDC, 1A Transformer	64.00
1200-080 Transformer Box	304.00

1816-083 Intercom Phone Expansion

1490.00

The 1816-083 expands the "No Phone Line" telephone intercom interface on Access Plus systems from a single phone line up to 11 phone lines. The system can be further expanded to interface with up to a maximum of 23 phone lines.

RS-485 Card Readers (ACCESS PLUS ONLY)

1815-337 DK ProxPlus Secure	596.00
1815-332 DK Prox Reader	578.00
1815-232 ID Tech Reader	658.00
1815-233 AWID Reader.....	690.00
1815-234 HID Reader.....	1194.00

RS-485 Keypads (ACCESS PLUS ONLY)

1513-081 Surface Mount	708.00
1513-082 Flush Mount.....	878.00

RS-485 RF Controls (ACCESS PLUS ONLY)

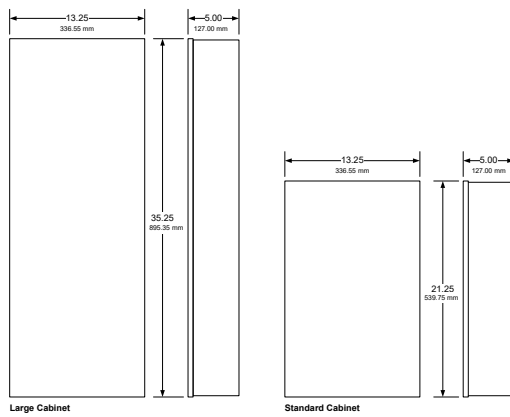
8053-080 MicroPlus Receiver.....	282.00
----------------------------------	--------

1816 Telephone Intercom Systems

Commercial

1816

- Full duplex voice communication
- Interfaces with up to 1200 phone lines
- Tennant C.O. phone service not required
- Programmable directory codes
- Lobby panel / Doorman caller ID
- Built-in call waiting
- Do Not Disturb feature



Model	Phone Numbers	Directory Names	Entry Codes ¹	Caller ID	Relays	Doorman Phone	Resident Features ²	Call Out Numbers	Directory Codes
1816	1200	N/A	1200	Yes	1	Yes	No	10	Programmable

1. Entry codes are four (4) digits. Entry codes grant access when entered on the entry system keypad (or secondary keypad) only.
2. Resident programmable features include: Call Waiting; Do-Not-Disturb; Call Forwarding.

1816 Telephone Intercom Systems

Commercial

1816 Systems

Step 1: Main Control Cabinet

1816-080 Houses 13 Relay Boards (156 lines)	2882.00
1816-082 Houses 5 Relay Boards (60 lines)	2548.00

Main control cabinets do not include relay boards.

Step 2: Relay Boards

1982-010	
1 – 13 Boards	928.00
14 – 29 Boards	888.00
30 + Boards	848.00

One (1) relay board is required for every 12 phone lines to be interfaced.

Step 3: Decoder Board (if required)

1881-010 Decoder Board	422.00
------------------------------	--------

Decoder board(s) are required if the system expands beyond five (5) relay boards. One (1) decoder board is required for every eight (8) relay boards beyond the first five (5) relay boards.

Step 4: Auxiliary Cabinet (if required)

1816-081 Auxiliary Cabinet	850.00
----------------------------------	--------

Holds up to 16 relay boards and two (2) decoder boards.

Step 5: Phone Blocks and Cables

2370-010 RJ71C Phone Block	370.00
----------------------------------	--------

One (1) RJ71C is required for each relay board in the system.

1882-042 Connecting Cable	214.00
---------------------------------	--------

One (1) connecting cable is required for each relay board in the system.

1882-044 Connecting Cable Special Length	6.76 / ft.
--	------------

Add cost per foot to 1882-042.

Step 6: Lobby Panels

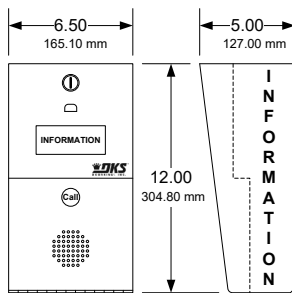
Select lobby panels from the 1802, 1803, 1808, 1810 series pages.

1819 Information Telephone System

Commercial

1819

- Full duplex voice communication
- Stores a single phone number
- 10 and 11 digit dialing
- Call button



Surface Mount

Model	Phone Numbers	Directory	Entry Codes	Device Codes	Relays	Auxiliary Inputs	Expansion ⁴	PC Programmable	Elevator Control	Transaction Buffer
1819	1	N/A	0	0	1	0	0	No	No	No

1. The 1819 is designed as an information phone only. Pressing the CALL button causes the system to dial to a preprogrammed telephone number.

1819 Information Telephone System

Commercial

1819 Telephone Entry System

1819-080 Surface Mount 1854.00

Service Connection Options

1800-080 Cellular Voice + Data¹ 1822.00

1815-578 VoIP Adapter² 194.00

1 - Cellular service plan required (provided by DoorKing).

2 - DKS VoIP subscription required.

Accessories

1801-008 Backup Battery 12-Volt .8 Ah 120.00

2600-588 Heater Kit..... 354.00

1802-111 Post Mount Adapter Plate¹ 216.00

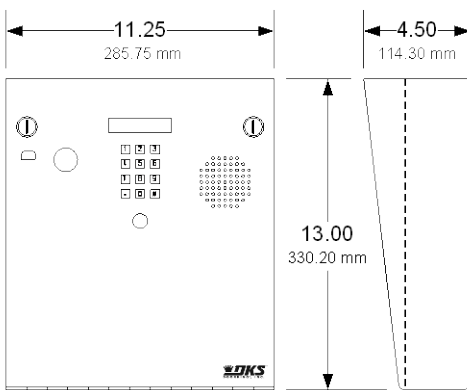
1 - Required if mounting the unit to a goose neck post.

1833 Telephone Entry / Access Control System

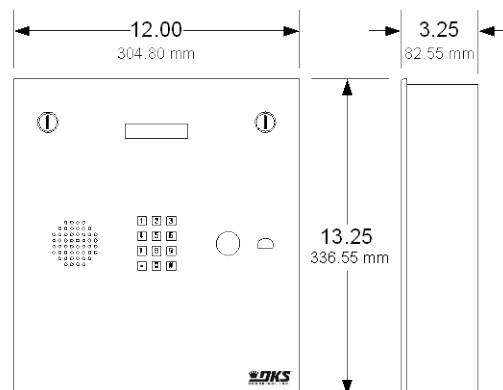
Residential, Commercial

1833

- Full duplex voice communication
- Stores up to 3000 phone numbers
- 255 area codes
- Programmable directory codes
- 10 and 11 digit dialing
- Built-in clock/calendar
- Three (3) built-in relays
- Two (2) 26-bit wiegand inputs
- Expandable to control up to 24 entrances
- 31 security (permission) levels
- 32 holiday schedules
- True anti-pass back features



80 Series - Surface Mount



80 Series - Flush Mount

Model	Phone Numbers	Directory	Entry Codes ¹	Device Codes ²	Relays	Auxiliary Inputs ³	Expansion ⁴	DKS Cloud Programming ⁵	Elevator Control	Transaction Buffer
1833	3000	N/A	3000	8000	3	2	48 Max	Yes	Yes	8000

1. Entry codes are four (4) digits only and are not the same as device codes. Entry codes grant access when entered on the entry system keypad (or secondary keypad) only.
2. Device codes refer to any five (5) digit 26-bit wiegand device used to access an entry point, such as cards, transmitters or PINs (Personal Identification Number). Five (5) digit device codes can also be used on the system keypad.
3. 1833 has two 26-bit wiegand inputs.
4. Up to 48 additional entry points can be controlled via card readers, AVID tag readers, RF receivers or digital keypads using wired tracker expansion boards. This is reduced to 24 if using wireless expansion.
5. DKS Cloud is included with connection service subscription plans. Programming with a dedicated PC is available using the Remote Account Manager software - available for free download at doorking.com.

1833 Telephone Entry / Access Control System

Residential, Commercial

1833 Telephone Entry / Access Control System

1833-080 80 Series Surface Mount	4350.00
1833-084 80 Series Flush Mount.....	4350.00

Service Connection Options

1800-080 Cellular Voice + Data ¹	1822.00
2334-080 VoIP – TCP/IP Control Box ^{3,5}	824.00
1815-578 VoIP Adapter ^{2,4}	194.00
1830-186 Plug & Play ^{3,4} (Plug & Play).....	298.00
1830-185 Network Adapter (Manual Setup).....	298.00

1 – DKS Cellular subscription required.

2 – DKS VoIP subscription required.

3 – DKS VoIP or Data over IP subscription required.

4 – 1815-578 is required for voice, 1830-186 or 1830-185 is required for data

5 – Combines the 1815-578 and 1830-186 into a common housing with built-in ethernet switch.

80 Series Mounting Accessories

1803-150 Surface Mount Recess Kit	418.00
1814-165 Flush Mount Kit Stainless Steel	716.00
1814-152 Surface Mount Ring for Flush Units	306.00

Accessories

1506-081 Secondary Keypad surface mount.....	578.00
1506-091 Secondary Keypad flush mount.....	998.00
1720-080 LED Light Kit	578.00
1804-193 External Speaker	554.00
1801-008 Backup Battery 12-Volt .8 Ah	120.00
2600-584 Heater Kit.....	220.00
1812-145 CCTV Color Camera	1334.00
1812-147 Camera (use with surface mount only).....	1334.00
1807-012 Handset Kit (surface mount only)	550.00
1830-310 TTY Add-on Factory Installed	408.00
1830-315 TTY Add-on Kit	454.00

Expansion Options

2358-010 Tracker Expansion Board.....	670.00
2351-080 Sgl Box ¹ (1 board max).....	908.00
2351-085 Sgl Box ¹ + 1470-080 900 MHz RF Module ..	1324.00
2351-082 QUAD Box ¹ Pre-wired (4 boards max).....	1730.00

1 – Includes one (1) 2358-010 board and 16V, 40 VA transformer.

Expansion Option Wireless Kits

2333-080 Base Board Kit ¹ 900 MHz.....	810.00
1470-080 Expansion Board Kit ² 900 MHz.....	480.00
2332-080 Dual channel repeater 900 MHz	752.00

1 – One (1) base board kit is installed in the 1833 controller.

2 – Expansion board kit(s) are installed on each 2358 tracker board.

1514-079 900 MHz antenna extension kit	78.36
8064-046 Coax cable extension 13-ft (3.9m)	68.18
1514-028 Disk antenna 900 MHz	43.74
1514-019 Six inch (152mm) antenna 900 MHz	43.74
1514-140 Wireless range test kit 900 MHz	1028.00

Elevator Control

2348-040 ¹ Elevator control board + hardware.....	2882.00
2348-080 ² Lockable enclosure	3734.00
2348-081 ³ Lockable enclosure large	4076.00

1 – Includes board and mounting hardware.

2 – Includes one (1) 2348-010 board. Room for two (2) boards' total.

3 – Includes one (1) 2340-010 board. Room for four (4) boards' total.

1834 Telephone Entry / Access Control System

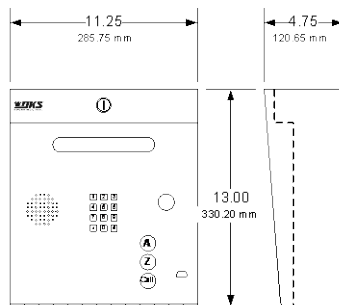
Residential, Commercial

1834 80 Series

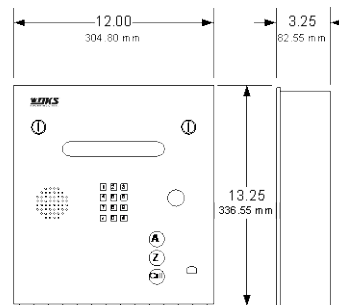
- Separate surface and flush mount designs
- Surface mount includes black hood
- Optional surface mount trim ring
- Optional stainless steel flush mount kit
- Optional stainless steel wall mount trim ring for flush units

1834 90 Series

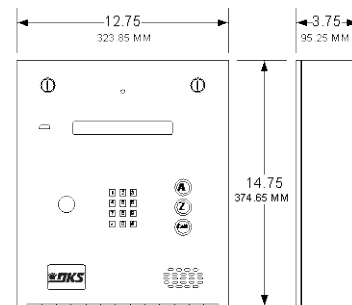
- Larger cabinet
- One design for surface, flush or wall mounting
- Dual locks, double weather seal
- Space for card reader¹, IP camera, TCP-IP adapter
- Optional 10 ga. hood, stainless steel or black
- Optional stainless steel flush mount kit



80 Series - Surface Mount



80 Series - Flush Mount



90 Series - Surface, Flush or Wall Mount

Model ¹	Phone Numbers	Directory	Entry Codes ²	Device Codes ³	Relays	Auxiliary Inputs ⁴	Expansion	DKS Cloud Programming ⁵	Elevator Control	Transaction Buffer
1834	3000	1-Line Electronic	3000	0	2	0	No	Yes	No	8000

1. 90 Series internal card reader mounting will accommodate the following card readers only: 1815-302 (DK Prox), 1815-380 (HID), 1815-215 (ID-Teck). Note that the 1834 does not have inputs for the card reader. Any card reader installed in the 1834 will have to be connected to another access controller. See 1835 if a built-in card reader is desired.
2. Entry codes are four (4) digits only and are not the same as device codes. Entry codes grant access when entered on the entry system keypad (or secondary keypad) only.
3. Device codes refer to any five (5) digit 26-bit wiegand device used to access an entry point, such as cards, transmitters or PINs (Personal Identification Number). Five (5) digit device codes can also be used on the system keypad.
4. 1834 does not have any 26-bit wiegand inputs.
5. DKS Cloud is included with connection service subscription plans. Programming with a dedicated PC is available using the Remote Account Manager software - available for free download at doorking.com.

1834 Telephone Entry / Access Control System

Residential, Commercial

1834 Telephone Entry / Access Control System

1834-080 80 Series Surface Mount.....	3640.00
1834-084 80 Series Flush Mount	3640.00
1834-090 90 Series Surface, Flush or Wall Mount	3640.00

Service Connection Options

1800-080 Cellular Voice + Data ¹	1822.00
2334-080 VoIP – TCP/IP Control Box ^{3,5}	824.00
1815-578 VoIP Adapter ^{2,4}	194.00
1830-186 Plug & Play ^{3,4} (Plug & Play).....	298.00
1830-185 Network Adapter (Manual Setup).....	298.00

1 – DKS Cellular subscription required.

2 – DKS VoIP subscription required.

3 – DKS VoIP or Data over IP subscription required.

4 – 1815-578 is required for voice, 1830-186 or 1830-185 is required for data

5 – Combines the 1815-578 and 1830-186 into a common housing with built-in ethernet switch.

80 Series Mounting Accessories

1803-150 Surface Mount Recess Kit	418.00
1814-165 Flush Mount Kit Stainless Steel	716.00
1814-152 Surface Mount Ring for Flush Units	306.00

90 Series Mounting Accessories

1814-180 Stainless Steel Hood (10 ga) ¹	564.00
1814-185 Black Hood (10 ga).....	278.00
1814-200 Flush Kit (Rough-in box + trim ring)	818.00

1 – Recommended for corrosive environments such as coastal areas.

Accessories

1506-081 Secondary Keypad surface mount	578.00
1506-091 Secondary Keypad flush mount	998.00
1720-080 LED Light Kit.....	578.00
1804-193 External Speaker	554.00
1801-008 Backup Battery 12-Volt .8 Ah	120.00
2600-584 Heater Kit.....	220.00
1812-145 CCTV Color Camera.....	1334.00
1807-012 Handset Kit (surface mount only).....	550.00
1830-310 TTY Add-on Factory Installed	408.00
1830-315 TTY Add-on Kit	454.00

1835 Telephone Entry / Access Control System

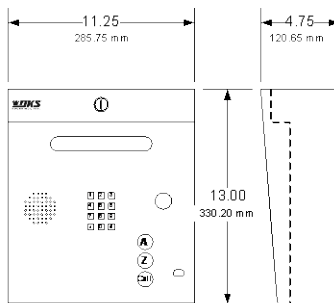
Residential, Commercial

1835 80 Series

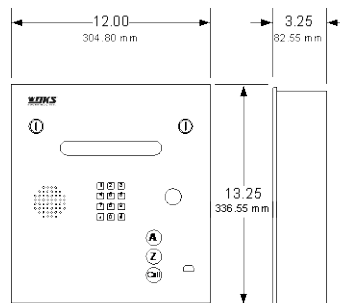
- Separate surface and flush mount designs
- Surface mount includes black hood
- Optional surface mount trim ring
- Optional stainless steel flush mount kit
- Optional stainless steel wall mount trim ring for flush units

1835 90 Series

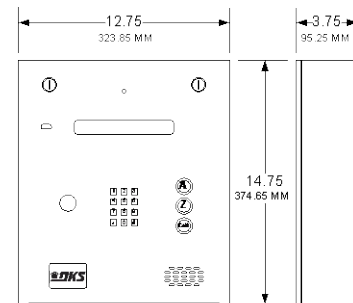
- Larger cabinet
- One design for surface, flush or wall mounting
- Dual locks, double weather seal
- Space for card reader, IP camera, TCP-IP adapter
- Optional 10 ga. hood, stainless steel or black
- Optional stainless steel flush mount kit



80 Series - Surface Mount



80 Series - Flush Mount



90 Series - Surface, Flush or Wall Mount

Model ¹	Phone Numbers	Directory	Entry Codes ²	Device Codes ³	Relays	Auxiliary Inputs ⁴	Expansion ⁵	DKS Cloud Programming ⁶	Elevator Control	Transaction Buffer
1835	3000	1-Line Electronic	3000	8000	3	2	48 Max	Yes	Yes	8000

1. 90 Series internal card reader mounting will accommodate the following card readers only: 1815-302 (DK Prox), 1815-380 (HID), 1815-215 (ID-Teck).
2. Entry codes are four (4) digits only and are not the same as device codes. Entry codes grant access when entered on the entry system keypad (or secondary keypad) only.
3. Device codes refer to any five (5) digit 26-bit wiegand device used to access an entry point, such as cards, transmitters or PINs (Personal Identification Number). Five (5) digit device codes can also be used on the system keypad.
4. 1835 has two 26-bit wiegand inputs.
5. Up to 48 additional entry points can be controlled via card readers, AVID tag readers, RF receivers or digital keypads using wired tracker expansion boards. This is reduced to 24 if using wireless expansion.
6. DKS Cloud is included with connection service subscription plans. Programming with a dedicated PC is available using the Remote Account Manager software - available for free download at doorking.com.

1835 Telephone Entry / Access Control System

Residential, Commercial

1835 Telephone Entry / Access Control System

1835-080 80 Series Surface Mount	5340.00
1835-084 80 Series Flush Mount.....	5340.00
1835-090 90 Series Surface, Flush or Wall Mount	5340.00

Service Connection Options

1800-080 Cellular Voice + Data ¹	1822.00
2334-080 VoIP – TCP/IP Control Box ^{3,5}	824.00
1815-578 VoIP Adapter ^{2,4}	194.00
1830-186 Plug & Play ^{3,4} (Plug & Play)	298.00
1830-185 Network Adapter (Manual Setup)	298.00

1 – DKS Cellular subscription required.
2 – DKS VoIP subscription required.
3 – DKS VoIP or Data over IP subscription required.
4 – 1815-578 is required for voice, 1830-186 or 1830-185 is required for data
5 – Combines the 1815-578 and 1830-186 into a common housing with built-in ethernet switch.

80 Series Mounting Accessories

1803-150 Surface Mount Recess Kit	418.00
1814-165 Flush Mount Kit Stainless Steel	716.00
1814-152 Surface Mount Ring for Flush Units	306.00

90 Series Mounting Accessories

1814-180 Stainless Steel Hood (10 ga) ¹	564.00
1814-185 Black Hood (10 ga)	278.00
1814-200 Flush Kit (Rough-in box + trim ring).....	818.00

1 – Recommended for corrosive environments such as coastal areas.

Accessories

1506-081 Secondary Keypad surface mount.....	578.00
1506-091 Secondary Keypad flush mount.....	998.00
1720-080 LED Light Kit	578.00
1804-193 External Speaker	554.00
1801-008 Backup Battery 12-Volt .8 Ah	120.00
2600-584 Heater Kit.....	220.00
1812-145 CCTV Color Camera	1334.00
1807-012 Handset Kit (surface mount only).....	550.00
1830-310 TTY Add-on Factory Installed	408.00
1830-315 TTY Add-on Kit	454.00

Expansion Options

2358-010 Tracker Expansion Board.....	670.00
2351-080 Sgl Box ¹ (1 board max).....	908.00
2351-085 Sgl Box ¹ + 1470-080 900 MHz RF Module ..	1324.00
2351-082 QUAD Box ¹ Pre-wired (4 boards max).....	1730.00

1 – Includes one (1) 2358-010 board and 16V, 40 VA transformer.

Expansion Option Wireless Kits

2333-080 Base Board Kit ¹ 900 MHz.....	810.00
1470-080 Expansion Board Kit ² 900 MHz.....	480.00
2332-080 Dual channel repeater 900 MHz	752.00

1 – One (1) base board kit is installed in the 1833 controller.
2 – Expansion board kit(s) are installed on each 2358 tracker board.

1514-079 900 MHz antenna extension kit	78.36
8064-046 Coax cable extension 13-ft (3.9m)	68.18
1514-028 Disk antenna 900 MHz	43.74
1514-019 Six inch (152mm) antenna 900 MHz	43.74
1514-140 Wireless range test kit 900 MHz	1028.00

Elevator Control

2348-040 ¹ Elevator control board + hardware.....	2882.00
2348-080 ² Lockable enclosure	3734.00
2348-081 ³ Lockable enclosure large	4076.00

1 – Includes board and mounting hardware.
2 – Includes one (1) 2348-010 board. Room for two (2) boards' total.
3 – Includes one (1) 2340-010 board. Room for four (4) boards' total.

1837 Telephone Entry / Access Control System

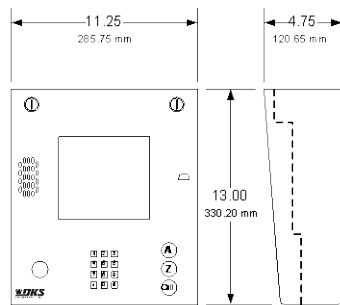
Residential, Commercial

1837 80 Series

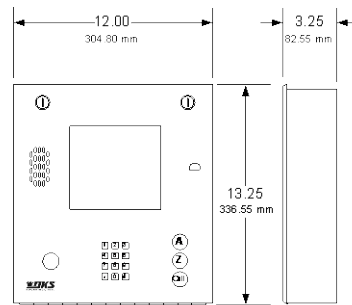
- Separate surface and flush mount designs
- Surface mount includes black hood
- Optional surface mount trim ring
- Optional stainless steel flush mount kit
- Optional stainless steel wall mount trim ring for flush units

1837 90 Series

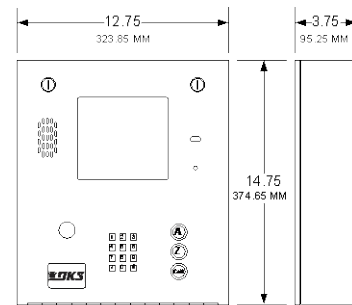
- Larger cabinet
- One design for surface, flush or wall mounting
- Dual locks, double weather seal
- Space for card reader, IP camera, TCP-IP adapter
- Optional 10 ga. hood, stainless steel or black
- Optional stainless steel flush mount kit



80 Series - Surface Mount



80 Series - Flush Mount



90 Series - Surface, Flush or Wall Mount

Model ¹	Phone Numbers	Directory	Entry Codes ²	Device Codes ³	Relays	Auxiliary Inputs ⁴	Expansion ⁵	DKS Cloud Programming ⁶	Elevator Control	Transaction Buffer
1837	3000	8-Line Electronic	3000	8000	3	2	48 Max	Yes	Yes	8000

1. 90 Series internal card reader mounting will accommodate the following card readers only: 1815-302 (DK Prox), 1815-380 (HID), 1815-215 (ID-Teck).
2. Entry codes are four (4) digits only and are not the same as device codes. Entry codes grant access when entered on the entry system keypad (or secondary keypad) only.
3. Device codes refer to any five (5) digit 26-bit wiegand device used to access an entry point, such as cards, transmitters or PINs (Personal Identification Number). Five (5) digit device codes can also be used on the system keypad.
4. 1837 has two 26-bit wiegand inputs.
5. Up to 48 additional entry points can be controlled via card readers, AVID tag readers, RF receivers or digital keypads using wired tracker expansion boards. This is reduced to 24 if using wireless expansion.
6. DKS Cloud is included with connection service subscription plans. Programming with a dedicated PC is available using the Remote Account Manager software - available for free download at doorking.com.

1837 Telephone Entry / Access Control System

Residential, Commercial

1837 Telephone Entry / Access Control System

1837-080 80 Series Surface Mount	7390.00
1837-084 80 Series Flush Mount	7390.00
1837-090 90 Series Surface, Flush or Wall Mount	7390.00

Service Connection Options

1800-080 Cellular Voice + Data ¹	1822.00
2334-080 VoIP – TCP/IP Control Box ^{3,5}	824.00
1815-578 VoIP Adapter ^{2,4}	194.00
1830-186 Plug & Play ^{3,4} (Plug & Play)	298.00
1830-185 Network Adapter (Manual Setup)	298.00
<i>1 – DKS Cellular subscription required.</i>	
<i>2 – DKS VoIP subscription required.</i>	
<i>3 – DKS VoIP or Data over IP subscription required.</i>	
<i>4 – 1815-578 is required for voice, 1830-186 or 1830-185 is required for data</i>	
<i>5 – Combines the 1815-578 and 1830-186 into a common housing with built-in ethernet switch.</i>	

80 Series Mounting Accessories

1803-150 Surface Mount Recess Kit	418.00
1814-165 Flush Mount Kit Stainless Steel	716.00
1814-152 Surface Mount Ring for Flush Units	306.00

90 Series Mounting Accessories

1814-180 Stainless Steel Hood (10 ga) ¹	564.00
1814-185 Black Hood (10 ga)	278.00
1814-200 Flush Kit (Rough-in box + trim ring)	818.00
<i>1 – Recommended for corrosive environments such as coastal areas.</i>	

Accessories

1506-081 Secondary Keypad surface mount	578.00
1506-091 Secondary Keypad flush mount	998.00
1720-080 LED Light Kit	578.00
1804-193 External Speaker	554.00
1801-008 Backup Battery 12-Volt .8 Ah	120.00
2600-584 Heater Kit	220.00
1812-145 CCTV Color Camera	1334.00
1807-012 Handset Kit (surface mount only)	550.00
1830-310 TTY Add-on Factory Installed	408.00
1830-315 TTY Add-on Kit	454.00

Expansion Options

2358-010 Tracker Expansion Board	670.00
2351-080 Sgl Box ¹ (1 board max)	908.00
2351-085 Sgl Box ¹ + 1470-080 900 MHz RF Module ..	1324.00
2351-082 QUAD Box ¹ Pre-wired (4 boards max)	1730.00
<i>1 – Includes one (1) 2358-010 board and 16V, 40 VA transformer.</i>	

Expansion Option Wireless Kits

2333-080 Base Board Kit ¹ 900 MHz	810.00
1470-080 Expansion Board Kit ² 900 MHz	480.00
2332-080 Dual channel repeater 900 MHz	752.00
<i>1 – One (1) base board kit is installed in the 1833 controller.</i>	
<i>2 – Expansion board kit(s) are installed on each 2358 tracker board.</i>	
1514-079 900 MHz antenna extension kit	78.36
8064-046 Coax cable extension 13-ft (3.9m)	68.18
1514-028 Disk antenna 900 MHz	43.74
1514-019 Six inch (152mm) antenna 900 MHz	43.74
1514-140 Wireless range test kit 900 MHz	1028.00

Elevator Control

2348-040 ¹ Elevator control board + hardware	2882.00
2348-080 ² Lockable enclosure	3734.00
2348-081 ³ Lockable enclosure large	4076.00
<i>1 – Includes board and mounting hardware.</i>	
<i>2 – Includes one (1) 2348-010 board. Room for two (2) boards' total.</i>	
<i>3 – Includes one (1) 2340-010 board. Room for four (4) boards' total.</i>	

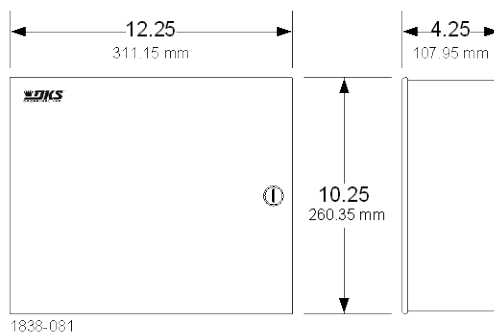
1838 Access Controller

Commercial

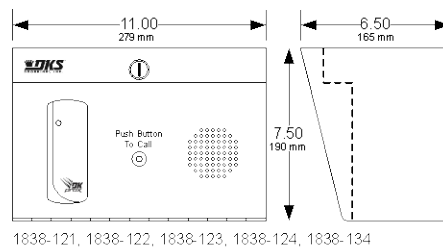
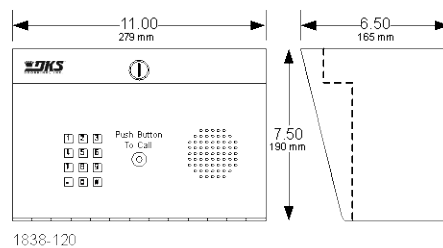
1838

- Stores up to 3000 user names
- Programmable directory codes
- Built-in clock/calendar
- Voice communication capability
- Optional plug-in programming display
- Two (2) built-in relays control relays
- Two (2) 26-bit wiegand inputs
- Expandable to control up to 24 entrances
- 31 security (permission) levels
- 32 holiday schedules
- True anti-pass back features

Access Controller



Call Stations



Model	User Names	Directory	Entry Codes ¹	Device Codes ²	Relays	Auxiliary Inputs ³	Expansion ⁴	DKS Cloud Programming ⁵	Elevator Control	Transaction Buffer
1838	3000	N / A	3000	8000	2	2	48 Max	Yes	Yes	8000

1. Entry codes are four (4) digits only and are not the same as device codes. Entry codes grant access when entered on the entry system keypad (or secondary keypad) only.
2. Device codes refer to any five (5) digit 26-bit wiegand device used to access an entry point, such as cards, transmitters or PINs (Personal Identification Number). Five (5) digit device codes can also be used on the system keypad.
3. 1838 has two 26-bit wiegand inputs.
4. Up to 48 additional entry points can be controlled via card readers, AVID tag readers, RF receivers or digital keypads using wired tracker expansion boards. This is reduced to 24 if using wireless expansion.
5. DKS Cloud is included with connection service subscription plans. Programming with a dedicated PC is available using the Remote Account Manager software - available for free download at doorking.com.

1838 Access Controller

Commercial

1838 Access Controller

1838-081 Surface Mount 2680.00

Service Connection Options

1800-080 Cellular Voice + Data¹ 1822.00

2334-080 VoIP – TCP/IP Control Box^{3,5} 824.00

1815-578 VoIP Adapter^{2,4} 194.00

1830-186 Plug & Play^{3,4} (Plug & Play) 298.00

1830-185 Network Adapter (Manual Setup) 298.00

1 – DKS Cellular subscription required.

2 – DKS VoIP subscription required.

3 – DKS VoIP or Data over IP subscription required.

4 – 1815-578 is required for voice, 1830-186 or 1830-185 is required for data

5 – Combines the 1815-578 and 1830-186 into a common housing with built-in ethernet switch.

Call Stations^{1, 2}

1838-120 Call station w/keypad 1130.00

1838-121 Call Station w/ID Tech card reader 914.00

1838-122 Call station w/AWID card reader 894.00

1838-123 Call station w/HID card reader 1206.00

1838-124 Call station w/DK Prox card reader 782.00

1838-134 Call Station w/DK ProxPlus card reader 782.00

1494-010 Microphone combiner³ 94.08

1 – Provides voice communication via telephone communication.

2 – Requires active telephone line.

3 – Use if two call stations will share the same telephone line.

Accessories

1838-220 1 x 20 LCD Programming Display 1130.00

1506-081 Secondary Keypad surface mount 578.00

1506-091 Secondary Keypad flush mount 998.00

1801-008 Backup Battery 12-Volt .8 Ah 120.00

Expansion Options

2358-010 Tracker Expansion Board 670.00

2351-080 Sgl Box¹ (1 board max) 908.00

2351-085 Sgl Box¹ + 1470-080 900 MHz RF Module .. 1324.00

2351-082 QUAD Box¹ Pre-wired (4 boards max) 1730.00

1 – Includes one (1) 2358-010 board and 16V, 40 VA transformer.

Expansion Option Wireless Kits

2333-080 Base Board Kit¹ 900 MHz 810.00

1470-080 Expansion Board Kit² 900 MHz 480.00

2332-080 Dual channel repeater 900 MHz 752.00

1 – One (1) base board kit is installed in the 1833 controller.

2 – Expansion board kit(s) are installed on each 2358 tracker board.

1514-079 900 MHz antenna extension kit 78.36

8064-046 Coax cable extension 13-ft (3.9m) 68.18

1514-028 Disk antenna 900 MHz 43.74

1514-019 Six inch (152mm) antenna 900 MHz 43.74

1514-140 Wireless range test kit 900 MHz 1028.00

Elevator Control

2348-040¹ Elevator control board + hardware 2882.00

2348-080² Lockable enclosure 3734.00

2348-081³ Lockable enclosure large 4076.00

1 – Includes board and mounting hardware.

2 – Includes one (1) 2348-010 board. Room for two (2) boards' total.

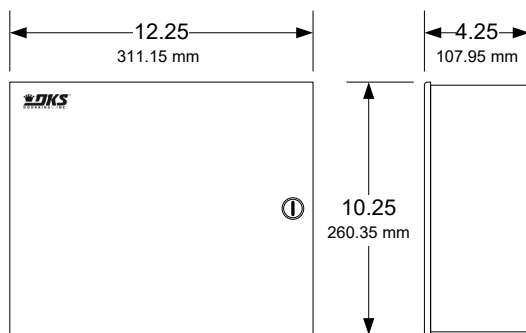
3 – Includes one (1) 2340-010 board. Room for four (4) boards' total.

1838 Access Plus Controller

Residential, Commercial

1838 AP

- Stores up to 100 user names
- Programmable directory codes
- Built-in clock/calendar
- Voice communication capability
- Optional plug-in programming display
- Control up to 8 entry points
- IP Addressable
- PC Programmable
- 2-Digit directory codes
- 20-digit dialing
- Includes 16 VAC power transformer



Model	Phone Numbers	Directory Names	Entry Codes ¹	Device Codes ²	Relays	Auxiliary Inputs ³	Expansion ⁴	PC Programmable ⁵	Temporary Codes	Holiday Schedules
1838 AP	27	N/A	50	100	2	2	6 Max	Yes	10	Yes

1. Entry codes are four (4) digits only and are not the same as device codes. Entry codes grant access when entered on the entry system keypad (or secondary keypad) only.
2. Device codes refer to any five (5) digit RS-485 device used to access an entry point, such as cards, transmitters or PINs (Personal Identification Number). Five (5) digit device codes can also be used on the system keypad.
3. 1838 AP uses a standard RS-485 data input.
4. Six (6) additional entry points can be controlled via RS-485 card readers, AVID tag readers, RF receivers or digital keypads.
5. AP Programming software available for free download at doorking.com.

1838 Access Plus Controller

Residential, Commercial

1838 Access Plus Controller

1838-095 Surface Mount 2432.00

Service Connection Options

1800-081 Cellular Voice + Data¹ 1822.00

2334-081 VoIP – TCP/IP Control Box² 824.00

1815-578 VoIP Adapter² 194.00

1 – DKS Cellular subscription required.

2 – DKS VoIP or Data subscription required.

1838 Access Plus Expansion Options

2354-010 Conversion Board 236.00

1815-235 Conversion Board w/Enclosure 526.00

Converts 26-bit Wiegand to RS-485. Requires 12-16 VDC power.

1812-018 12-VDC, 1A Transformer 64.00

1200-080 Transformer Box 304.00

1816-083 Intercom Phone Expansion 1490.00

The 1816-083 expands the “No Phone Line” telephone intercom interface on Access Plus systems from a single phone line up to 11 phone lines. The system can be further expanded to interface with up to a maximum of 23 phone lines.

RS-485 Card Readers (ACCESS PLUS ONLY)

1815-337 DK ProxPlus Secure 596.00

1815-332 DK Prox Reader 578.00

1815-232 ID Tech Reader 658.00

1815-233 AWID Reader 690.00

1815-234 HID Reader 1194.00

RS-485 Keypads (ACCESS PLUS ONLY)

1513-081 Surface Mount 708.00

1513-082 Flush Mount 878.00

RS-485 RF Controls (ACCESS PLUS ONLY)

8053-080 MicroPlus Receiver 282.00

2100 Series Video Entry Systems

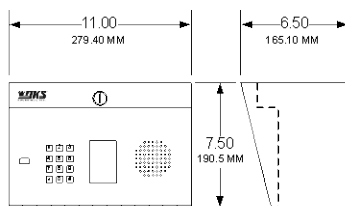
Residential

2108 / 2112

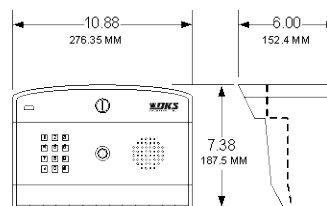
- Control up to three entry points
- Broadcast calling up to four phone numbers
- Internet or cellular connection
- Program from a laptop, tablet or smartphone
- All programming saved in the DKS Cloud

App

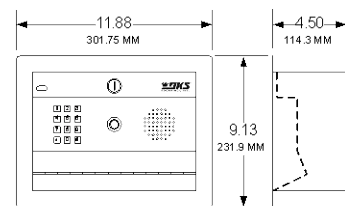
- DKS 2112 Resident app
- App available on App Store and Google Play
- Initiate video stream at any time from the app
- Activate door or gate from the app
- Check door/ gate status



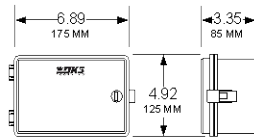
2108 Surface Mount



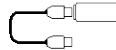
2112 Surface Mount



2112 Flush Mount



Cellular Kit External use with
2108 / 2112



Cellular Kit Internal use with
2112 Surface Mount Only

Model ¹	Phone Numbers ²	Directory Codes ³	Entry Codes ⁴	Relays	Auxiliary Inputs	IP Camera	Cloud Programming ⁵	Do Not Call Schedule	Hold Open Schedules
2108 2112	40	10	25	3	0	Yes	Yes	Yes	Yes

1. The 2108 / 2112 must have an internet connection (wired or cellular) to operate. Standard residential package subscription is required (see Section C1, pages 10-11 for subscription rates). 2108 has a built-in paper directory for up to 10 residents.
2. Up to four (4) phone numbers per directory code.
3. 10 directory codes are available, meaning the 2100 series can be used for up to 10 residents. Directory codes can be set for one (1) to five (5) digits in length.
4. Entry codes can be set to four (4) digits or five (5) digits in length.
5. Program from a laptop, tablet or smartphone.

2100 Series Video Entry System

Residential

2108 Video Entry System

2108-080 Surface Mount 2100.00

2112 Video Entry System

2112-080 Surface Mount 2070.00

2112-087 Flush Mount..... 2540.00

Subscription Fees

Standard Residential Package monthly subscription fee is required for 2100 series systems to operate. See Section C1, pages 10-11 for more information.

Subscription fee includes:

- VoIP for Voice Calling
- Video Calling (requires the DKS 2112 app on your smartphone)
- DKS Cloud database for programming and system management
- On command video monitoring (from your smartphone)
- Relay (door/gate) status (open – closed – held open)
- On command relay control (open – close – hold open)
- Scheduled relay control
- Entry code functions

Cellular Kits Internal

2112-150 Cellular Kit Internal T-Mobile^{1,2} 250.00

2112-151 Cellular Kit Internal AT&T^{1,2,4} 250.00

Cellular Kits External

2112-152 Cellular Kit External T-Mobile^{1,3} 416.00

2112-153 Cellular Kit External AT&T^{1,3,4} 416.00

1 – Cellular add-on subscription required. See Section C1, pages 10-11 for more information.

2 – Use with 2112 surface mount only.

3 – Use with flush or surface mount units.

4 – AT&T cellular service requires Minimum Build 32 (check your 2108 / 2112 online account event log – type “build” in the search bar).

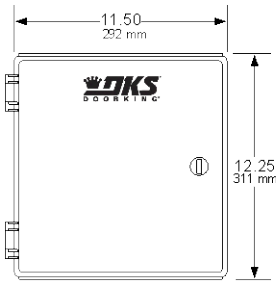
1804-060 Transformer 16 VAC, 20 VA¹ 68.22

1200-080 Transformer Box..... 304.00

1 – Transformer is included with the 2108 / 2112.

Connection Options

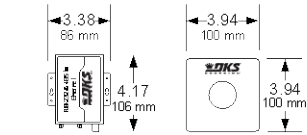
Cellular, TCP/IP Network, VoIP



1800-080 / 1800-081 Cellular



2334-080 / 2334-081 VoIP



TCP/IP Adapters 1830-18x VoIP Adapter 1815-578

DKS Cloud is included with connection service subscription plans which allow programming from a laptop, tablet or smartphone. Programming with a dedicated PC is also available using the Remote Account Manager software - available for free download at doorking.com.

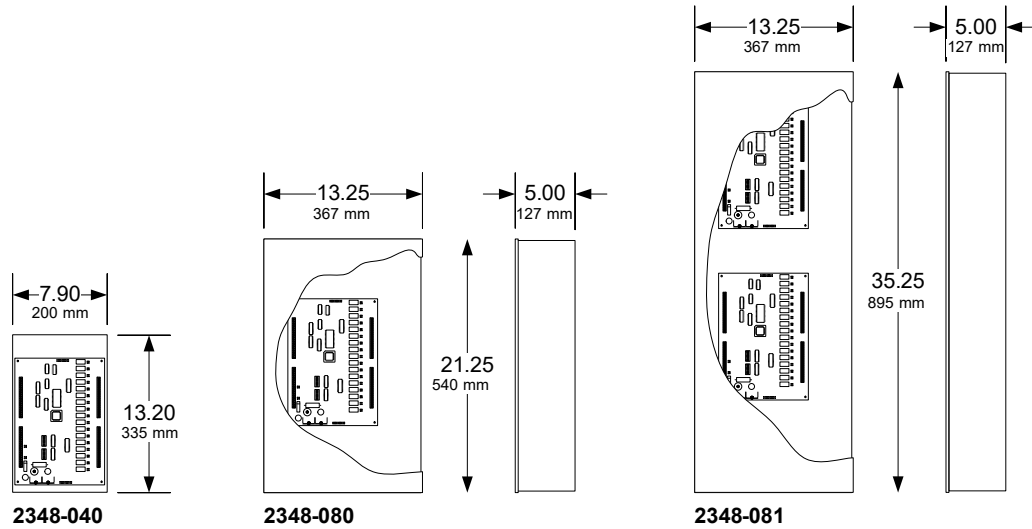
Cellular¹	
1800-080 Voice + Data.....	1822.00
1800-081 Voice + Data (AP models only).....	1822.00
1. Cellular subscription required.	
VoIP – TCP/IP Control box¹	
2334-080 VoIP – TCP/IP Control Box ²	824.00
2334-081 VoIP – TCP/IP Control Box ³	824.00
1. DKS VoIP or Data subscription required.	
2. Use with 1830 Series systems only.	
IMPORTANT! The 1830 circuit board MUST be Revision Z or higher, otherwise this product will not work.	
3. Use with Access Plus systems only.	
Accessories¹	
1514-014 Long Range Antenna 4GLTE.....	172.00
1 – 1800-080 and 1800-081 only.	

TCP/IP Network Adapters	
1830-185 (Manual setup).....	298.00
1830-186 ¹ (Plug & Play)	298.00
1. DKS VoIP or Data over IP subscription required.	
VoIP Adapter	
1815-578 ¹	194.00
1. DKS VoIP subscription required.	

Programming Only (No Voice) Connection Options¹	
1508-055 RS232 to RS422 Conversion Kit	1648.00
1815-037 USB to RS232 Adapter.....	236.00
1818-040 RS232 Connecting Cable 6-ft (1.8m)	62.70
1 – These options are used with a dedicated PC connected directly to the entry system control board. Programming with a dedicated PC is available using the Remote Account Manager software - available for free download at doorking.com.	

Model 2348

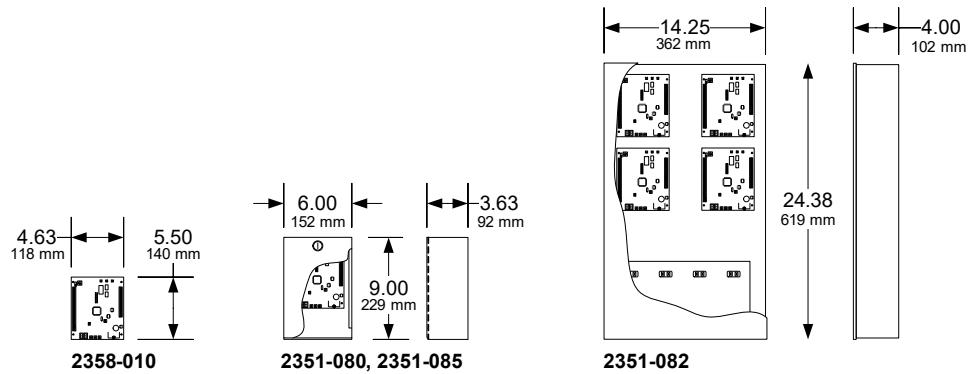
Elevator Control



Elevator Control Board	
2348-040	2882.00
<ul style="list-style-type: none"> Includes mounting hardware. 	
Enclosures ¹	
2348-080	3734.00
<ul style="list-style-type: none"> Maximum two (2) 2348 boards. 	
2348-081	4076.00
<ul style="list-style-type: none"> Maximum four (4) 2348 boards. 	
<p><i>1. Includes one (1) 2348 control board and power transformer.</i></p>	

Expansion Boards

Tracker Expansion Boards



Tracker Expansion Board

2358-010 670.00

Enclosures

2351-080 908.00

- Includes one (1) 2358-010 board and 16V, 20 VA transformer.

2351-085 1324.00

- Includes one (1) 2358-010 board, 1470-080 RF Module, 900 MHz and 16V, 20 VA transformer.

2351-082 1730.00

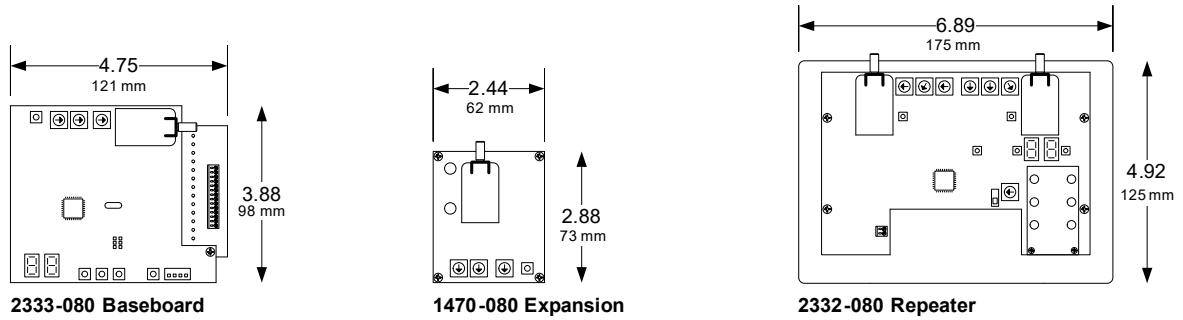
- Includes one (1) 2358-010 board and 16V, 40 VA transformer.
- Can hold a maximum four (4) 2358-010 boards.
- Pre-wired.

Wireless Kits

Tracker Expansion Board Wireless Kits

900 MHz

IMPORTANT! 900 MHz wireless expansion can only be used with 2358 expansion boards, REV N or higher.



Baseboard Kit

2333-080 900 MHz810.00

- Plugs into the 1830 series control board.
- Includes antenna kit and vandal resistant disk antenna.

Expansion Board Kit

1470-080 900 MHz480.00

- Plugs into the 2358 expansion board.
- Includes 6-inch and vandal resistant disk antenna.

Dual Channel Repeater

2332-080 900 MHz752.00

- Extends the range when multiple 1470 or 1489 kits are in use.

Accessories

1514-079 Antenna Kit 900 MHz 78.36

- Includes 6-inch antenna, mounting bracket and 13-foot cable.

8064-046 Extension Cable 68.18

Antennas

1514-019 6-inch Antenna 900 MHz..... 43.74

1514-028 Disk Antenna 900 MHz 43.74

Field Range Test Kit

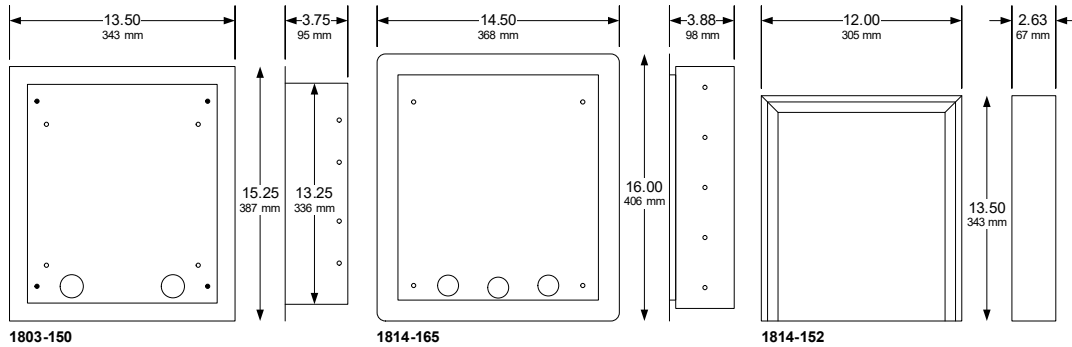
1514-140 900 MHz 1028.00

- Use to verify a good wireless connection between base and remote stations.

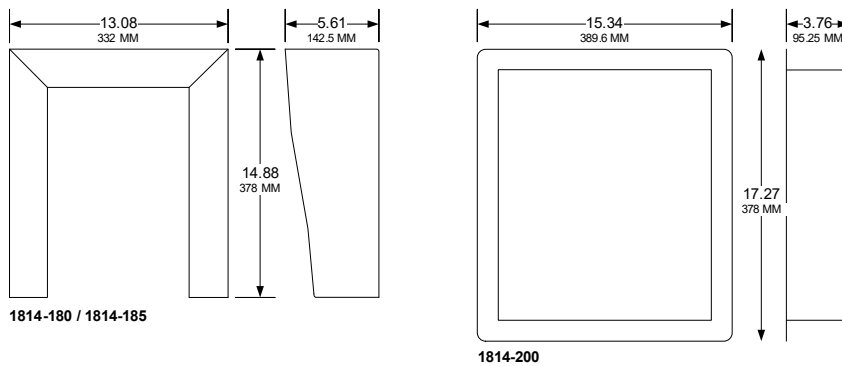
Mounting Kits

Telephone Entry System Mounting Kits

Use with 1803, 1810 and 1833, 1834, 1835, 1837 - 80 Series only



Use with 1834, 1835, 1837 - 90 Series only



80 Series Only

Surface Mount Recess Kit - Black

1803-150418.00

- Use with surface mount 1803, 1810, 1833, 1834, 1835 and 1837 80 Series only.

Flush Kit Stainless Steel

1814-165716.00

- Use with flush mount 1803, 1810, 1833, 1834, 1835 and 1837 80 Series only.

Surface Mount Adapter for Flush Units

1814-152306.00

- Allows a flush mount unit to be mounted directly to a flat surface. Indoor use only.
- Use with flush mount 1803, 1810, 1833, 1834, 1835 and 1837 80 Series only.

90 Series Only

Hood – Stainless Steel

1814-180 564.00

- Use with 1834-090, 1835-090 and 1837-090 systems only.

Hood – Black

1814-185 278.00

- Use with 1834-090, 1835-090 and 1837-090 systems only.

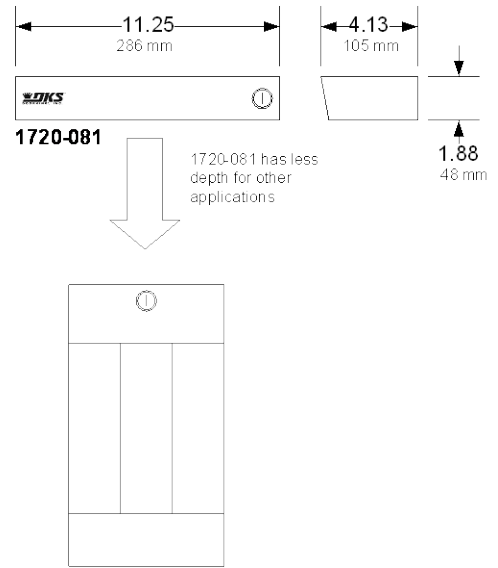
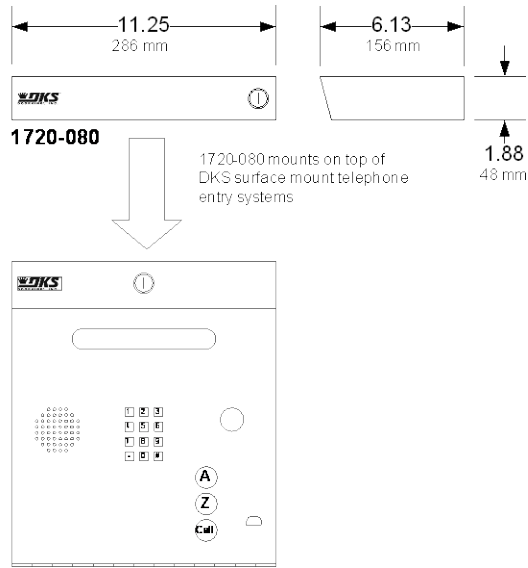
Flush Kit Stainless Steel (rough-in box + trim ring)

1814-200 818.00

- Use with 1834-090, 1835-090 and 1837-090 systems only.

Model 1720

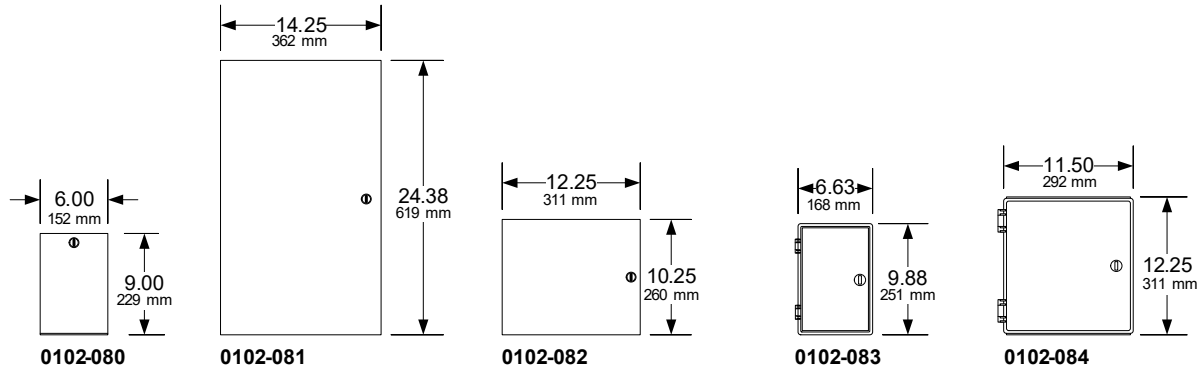
Telephone Entry System LED Light Kit



LED Light Kit - Long	
1720-080	578.00
<ul style="list-style-type: none"> Use with surface mount 1803, 1810, 1833, 1834, 1835 and 1837 systems. 	
LED Light Kit - Short	
1720-081	566.00
<ul style="list-style-type: none"> Use with add-on directory. 	

General Purpose Utility Enclosures

Telephone Entry System Accessories



General purpose enclosures have no power receptacles or terminal strips, carry no warranty and are not listed.

0102-080 Small lockable metal enclosure	240.00
0102-081 Large lockable metal enclosure	796.00
0102-082 Medium lockable metal enclosure	492.00
0102-083 Small lockable plastic enclosure	254.00
0102-084 Medium lockable plastic enclosure	278.00

Part Number	Height	Width	Depth	Material	Lockable
0102-080	9.00 (229mm)	6.00 (152mm)	3.63 (92mm)	Metal	Yes
0102-081	24.38 (619mm)	14.25 (362mm)	4.00 (102mm)	Metal	Yes
0102-082	10.25 (260mm)	12.25 (311mm)	4.25 (108mm)	Metal	Yes
0102-083	9.88 (251mm)	6.63 (168mm)	4.00 (102mm)	Plastic	Yes
0102-084	12.25 (311mm)	11.50 (292mm)	6.00 (152mm)	Plastic	Yes

Blank Page

Accessories

Handset Kits, Isolation Transformers, Miscellaneous, CCTV Camera Kits

Handset Conversion Kit	
1807-012	550.00
Handset, adapter, hanger and speaker cover	
Replacement Handset	
1807-006	424.00

Isolation Transformers	
1830-140 16V (363ma)	100.32
Use with 1802, 1803, 1808, 1810, 1812 Plus & AP Systems	
1830-141 24V (500ma)	100.32
Use with 1812 Classic	
1830-142 16V (727ma)	100.32
Use with 1834, 1835, 1837	

Miscellaneous	
1506-081 Secondary Keypad surface mount	578.00
1506-091 Secondary Keypad flush mount	998.00
1801-008 Backup Battery 12-Volt .8 AH	120.00
1804-193 External Speaker	554.00
Use in high noise areas	
2600-584 Heater Kit	220.00
2600-588 Heater Kit	354.00
2600-582 LCD Heater Kit	85.70
1816-070 Line Sense Relay	68.98

Key Lock Sets (Lock + 2 Keys)	
4001-052 Lock #16002 (Access Systems)	52.08
4001-055 Lock #16001 (Gate Operators)	52.08
4001-035 Lock #16120	52.08
4001-038 Lock #16121	52.08
4001-039 Lock #16122	52.08
4001-041 Lock #16123	52.08
4001-042 Lock #16124	52.08
4001-043 Lock #16125	52.08
4001-044 Lock #16126	52.08
4001-045 Lock #16127	52.08
4001-046 Lock #16128	52.08
4001-047 Lock #16129	52.08
4001-048 Lock #16130	52.08

CCTV Camera Kit – High Resolution	
1812-145	1334.00
High resolution color camera kit (camera, mounting bracket, wire harness, power supply)	
Use this camera with the following models:	
1802-082, 1802-089, 1802-090, 1802-091, 1802-092	
1803-080, 1803-084, 1803-090, 1803-092	
1808-081, 1808-082, 1808-083, 1808-084, 1808-085	
1810-084, 1810-090, 1810-096	
1812-088, 1812-093, 1812-094	
1833-080, 1833-084	
1834-084, 1834-089	
1835-084, 1835-089	
1837-080, 1837-084, 1837-089	
1838-120, 1838-021, 1838-122, 1838-123, 1838-124	
CCTV Camera Kit – High Resolution	
1812-147	1334.00
High resolution color camera kit (camera, mounting bracket, wire harness, power supply)	
Use this camera with the following models:	
1504-080, 1504-081, 1504-082, 1504-083, 1504-084, 1504-085, 1504-086, 1504-090, 1504-091, 1504-120, 1504-121, 1504-122, 1504-123, 1504-124	
1810-080, 1810-088, 1810-095	
1812-081, 1812-087, 1812-089, 1812-090, 1812-091, 1812-092, 1812-095, 1812-096, 1812-097, 1812-098, 1812-099	
1815-247, 1815-248, 1815-249, 1815-250, 1815-251	
1834-080, 1834-090	
1835-080, 1835-090	
1837-090	
Video Adapter	
1812-039	704.00
Converts coax to twisted pair for wire runs of up to 3000-ft (B/W) or 1600-ft (color), two required	

Replacement Components

Electronic Components

Circuit Boards	
1800-009	1394.00
Use with 1800-081 only (Access Plus Cellular)	
1800-010	1394.00
Use with 1800-080 only (Voice + Data Cellular)	
1862-010	1316.00
Use with 1802, 1802-EPD, 1803, 1808, 1810, 1819	
1863-010	940.00
Use with all "P" series lobby panels	
1871-010	1920.00
Use with 1812 Classic only	
1971-010	1920.00
Use with 1812 Plus only	
1885-010	2350.00
Use with 1816 and 1820 only	
1833-010	2350.00
Use with 1833 only	
1834-010	2508.00
Use with 1834-080 and 1834-084 only	
1834-009	2508.00
Use with 1834-089 and 1834-090 only	
1835-010	2882.00
Use with 1835-080 and 1835-084 only	
1835-009	2882.00
Use with 1835-089 and 1835-090 only	
1837-010	2350.00
Use with 1837 only	
1838-010	2386.00
Use with 1838 only	
1970-010	2232.00
Use with 1802 AP, 1808 AP, 1810 AP, 1812 AP, 1838 AP	

Keypads	
1895-017.....	184.00
Keypad no letters	
1895-019.....	170.00
Keypad 10-pin	
1804-038.....	32.90
Ribbon cable for 1895-016 & 1895-017	
1804-155.....	204.00
Keypad (no letters) & ribbon cable	
1804-156.....	204.00
Keypad (with letters) & ribbon cable	
1895-032.....	196.00
Keypad, green back lighted	
1895-060.....	424.00
Lighted keypad-green, A-Z-CALL button retrofit kit	
1804-158.....	208.00
Lighted keypad-green, retrofit kit	

LCD Displays	
1891-010 Single-Line 20 Character	1096.00
Use with 1834, 1835	
1896-012 Eight-Line 20 Character	1096.00
Use with 1837 only	
1890-010 Single-Line 8 Character	362.00
Use with 1802, 1803 and 1810	
1902-010 Single-Line 16 Character	524.00
Use with 1802 EPD only	

Miscellaneous	
1998-020.....	132.00
Replacement microphone kit	
1998-010.....	132.00
Replacement microphone board	
1997-190.....	15.84
Microphone wire harness for 1998-010 only	
1804-290.....	36.18
5-watt speaker (square)	
1817-190.....	51.22
Oval speaker	

LED Light Kits	
1804-700.....	81.52
Use with 1810 surface mount	
1804-701.....	31.36
Use with 1802	
1804-702.....	56.40
Use with 1808, 1834, 1835 surface mount	
1804-703.....	56.40
Use with 1710 directory	
1804-704.....	31.36
Use with 1812	
1804-707.....	56.40
Use with 1810 flush mount	

Blank Page