


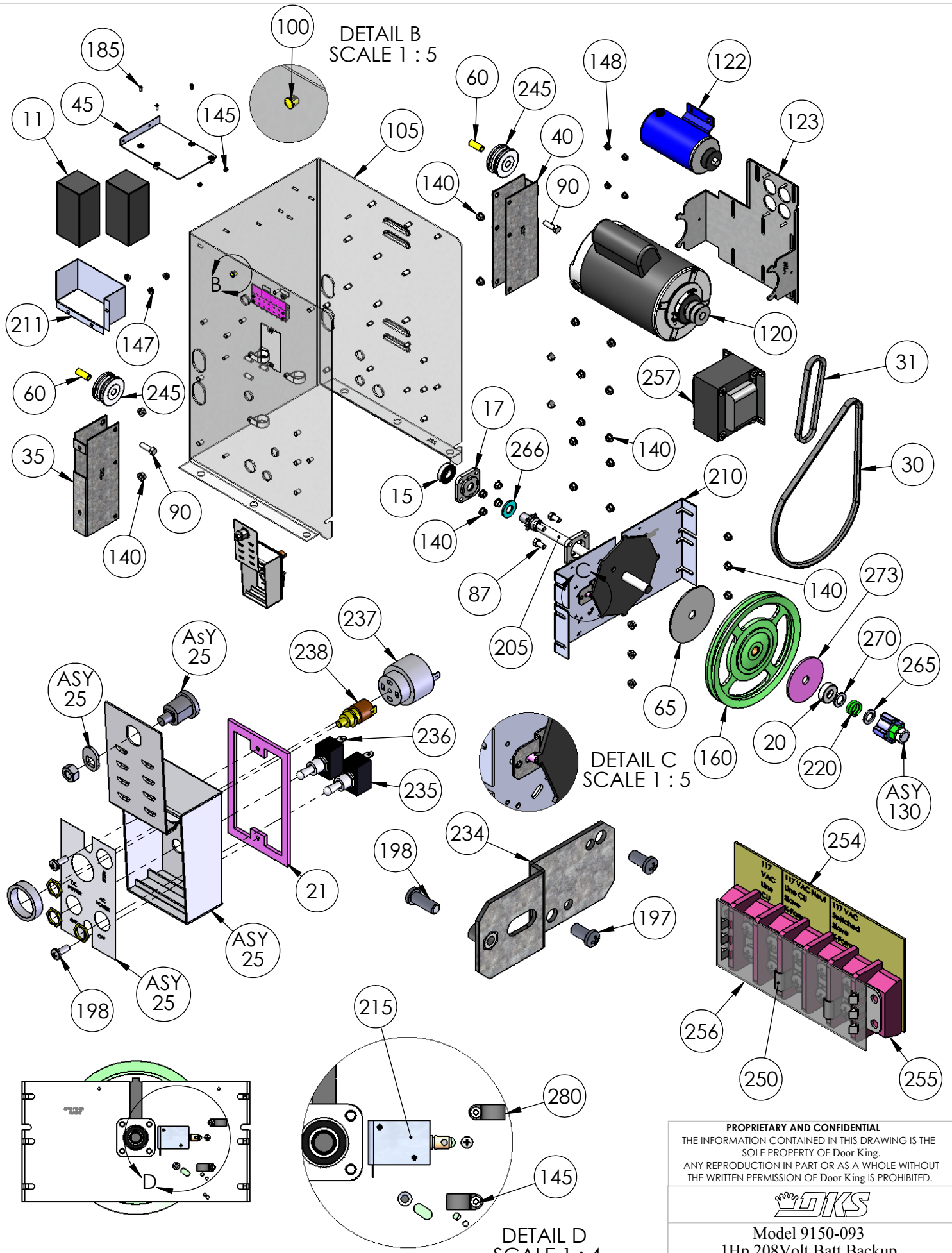
DETAIL A  
SCALE 1 : 2

**PROPRIETARY AND CONFIDENTIAL**  
 THE INFORMATION CONTAINED IN THIS DRAWING IS THE  
 SOLE PROPERTY OF Door King.  
 ANY REPRODUCTION IN PART OR AS A WHOLE WITHOUT  
 THE WRITTEN PERMISSION OF Door King IS PROHIBITED.



**Model 9150-093**  
**1Hp 208Volt Batt Backup**

SIZE <b>A</b>	DWG 9150-893	REV <b>A</b>
SCALE: 1:12		SHEET 1 of 3

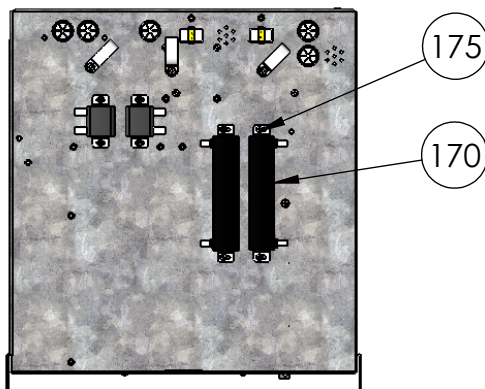
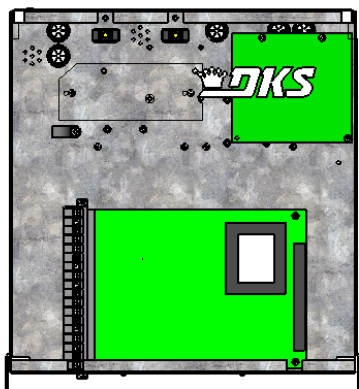
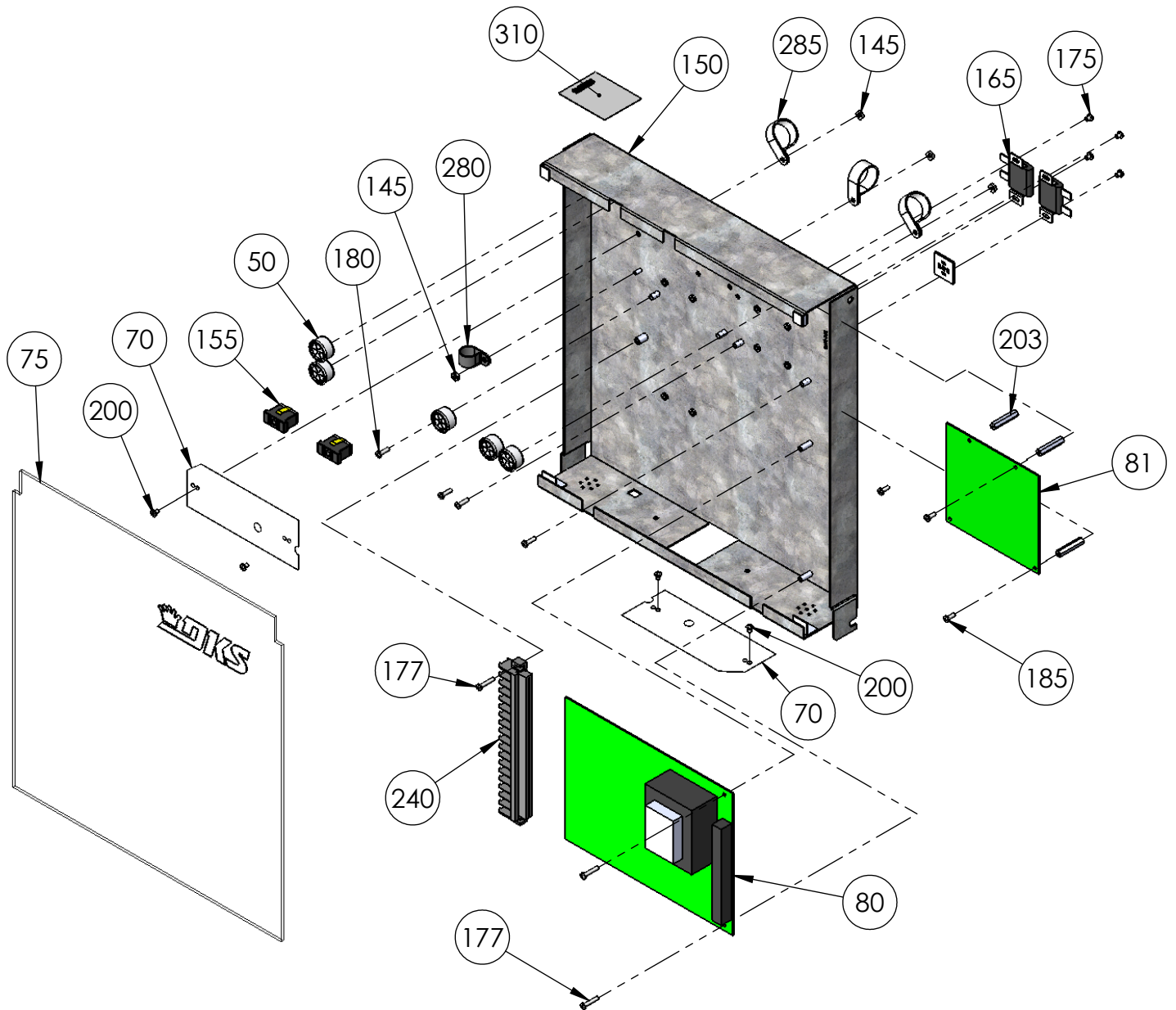


**PROPRIETARY AND CONFIDENTIAL**  
 THE INFORMATION CONTAINED IN THIS DRAWING IS THE SOLE PROPERTY OF Door King.  
 ANY REPRODUCTION IN PART OR AS A WHOLE WITHOUT THE WRITTEN PERMISSION OF Door King IS PROHIBITED.

**DKS**

Model 9150-093  
 1Hp 208Volt Batt Backup

SIZE	DWG	9150-893	REV
<b>A</b>			<b>A</b>
SCALE: 1:2		SHEET 2 of 3	



**PROPRIETARY AND CONFIDENTIAL**  
 THE INFORMATION CONTAINED IN THIS DRAWING IS THE  
 SOLE PROPERTY OF Door King.  
 ANY REPRODUCTION IN PART OR AS A WHOLE WITHOUT  
 THE WRITTEN PERMISSION OF Door King IS PROHIBITED.



Model 9150-093  
 1Hp 208Volt Batt. Backup

SIZE	DWG	REV
<b>A</b>	9150-893	<b>A</b>
SCALE: 1:8		SHEET 3 of 3

9150-093	Part #	Qt
	1 9150-066	1 Manual Installation
	7 2600-852	1 Accessory Box 9150 Operator
	8 1897-052	2 Gasket, Microphone Support
	9 2802-040	2 Washer Push on Clamp
	10 2600-732	1 Nameplate Plastic DKS Big
	11 1801-009	2 Battery 12V 3.4 AmpHour
	15 2600-440	1 Bearing Used in Slide Oper
	17 2600-453	1 Bearing Holder Plastic Back
	20 2600-053	1 Bearing - Thrust 3/4 ID
	21 2600-731	1 Gasket Switch Cover
	25 2600-533	1 Switch Cover Doorking Lockable
	30 2600-694	1 Belt - AX36
	31 2600-688	1 Belt - 17" 4L170 Cogged
	35 2600-965	1 Bracket Idler Left 9150
	40 2600-966	1 Bracket Idler Right 9150
	45 2600-938	1 Radio Tray 910
	50 2600-810	5 Bushing 7/8 Poke Thru Flaps
	60 2600-871	2 Bushing 1/2"ODx5/16"IDx1 5/16L
	65 2801-004	1 Clutch Pad 5" OD - 3/4" ID
	70 2600-945	2 Cover Plastic Insulator
	75 9150-006	1 Cover Plastic Model 9150
	80 4602-010	1 PCB Slide Gate Operator
	81 2340-010	1 PCB Battery Backup
	83 2599-034	1 Label Gate Operator
	87 2615-153	4 Bolt Hex Head 5/16-18 x 3/4
	90 2615-155	2 Bolt Hex Head 5/16-18 x 1 3/4
	95 2600-932	1 Door Model 9150
	100 2600-880	1 Hole Plug Plastic for 3/8 Hole
	105 2600-984	1 Housing-Model 9150
	110 4001-035	1 Lock N16058BDxSFx2K Key 16120
	113 1702-503	1 Cam 1.1/4
	120 2600-163	1 Motor Assy 1HP Dual Pulley
	122 2600-197	1 Motor 24VDC For BB
	123 2600-867	1 Bracket Motor Mt Model 915 BBU
	130 2600-917	1 Jam Nut Magnet Subassy 910/915
	135 2902-006	3 Nut Nylon Lock 10-32
	140 2620-411	20 Nut Hex Flange Lock 5/16-18
	145 2902-003	20 Nut Nylon Lock 6-32
	147 2620-409	11 Nut Hex Flange Lock 1/4-20
	148 2620-340	4 Nut Center Lock 1/4-20
	150 2600-962	1 Mount Plate PC Board Mod 9150
	155 1200-028	2 Outlet Snap-In Leviton 1306
	160 2600-957	1 Pulley 10 inch Aluminum Assy
	165 2600-848	2 Resistor Power 1 ohm 30 Watt
	170 2600-847	2 Resistor Power 1 ohm 65 watt
	175 2616-006	8 Screw Phillips Head 6-32x3/16
	177 2616-003	3 Screw Phillips Head 6-32x3/4SS
	180 2616-002	9 Screw Phillips Head 6-32 x 1/2
	185 2616-001	3 Screw Phillips Head 6-32 x 3/8
	190 2616-000	8 Screw Phillips Head 6-32 x 1/4



195	2616-007	2 Screw Phillips Head 6-32x5/8"
197	2616-051	2 Screw Phillips 10-32x3/8
198	2616-052	1 Screw Phillips Head 10-32 x1/2
200	2600-887	4 Screw Nylon Phillips 6-32x1/4"
203	2900-918	3 Standoff Aluminum 1 1/4" 6-32
205	2600-904	1 Main Shaft Assembly
210	2600-931	1 Bracket Shaft Support 915
211	2600-560	1 Battery Tray 910/1601
215	2600-860	1 Solenoid Lock Assy 91XX
220	2600-446	1 Spring-Compression
234	2600-487	1 Bracket Solenoid Support
235	1601-140	1 Switch Toggle 2 Pole On-Off
236	1601-041	1 Switch Toggle SPST 2POS
237	1506-071	1 Tone Generator Loud
238	1812-005	1 Switch Push Button N.O.
240	2901-002	1 Terminal 18 Pin
245	2600-886	2 Idler Wheel UHMW
250	2600-840	2 Jumper- Ring Tongue #8 Screw
254	2600-432	1 Marker Strip
255	3130-008	1 Terminal Block 5 pin
256	3129-005	1 Terminal Block Cover 5 Positio
257	4001-096	1 Transformer 460/230/208-115V
260	2600-439	1 Washer Cup - Brass
265	2600-344	1 Washer 1 1/8"OD x 3/4"ID
266	2600-990	1 Washer Neoprene 1.5"x.725"x125
270	2600-345	1 Washer Hardened 1 1/4 x 3/4 ID
273	2620-035	1 Washer 4"ODx3/4"ID
274	2620-028	6 Washer 5/16" USS
275	2620-053	2 Lockwasher 5/16"
280	2600-619	9 Wire Clip-5/8" Concord 770-1209
285	2600-639	6 Wire Clamp-1"
290	2600-987	1 Wire Set 9150 Operator 1HP
291	2340-164	1 Wire Set BB 6100,6300,9150
292	7082-135	1 Wire 9" Red Stranded 14AWG
293	7082-136	1 Wire 9" Blue Stranded 14AWG
294	7082-137	1 Wire 5" Green Stranded 14AWG
295	1804-031	20 Tie Wrap 4"
296	7082-052	1 Wire 8" Green 16 AWG Stranded
297	2600-749	2 Wire Connector STA-KON RC6
300	4001-018	7 Weather Stripping 50' rolls
306	2340-065	1 Manual
310	2599-008	1 Label Patent
315	2599-006	1 Decal SUPPLY GND
320	2599-199	1 Label Universal
335	2599-014	1 Decal Copper Wire Only
340	2599-100	2 Sign Warning