

# 9050 and 9100 Fail-Secure Manual Release Kit

DoorKing Part Number

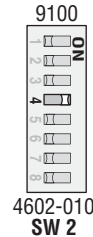
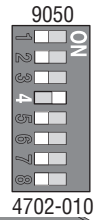
**2600-862**

Converts **Fail-Safe** manual release models 9050 and 9100 slide gate operators to a **Fail-Secure** manual release. Power outages or turning power off **WILL NOT** allow gate to be manually operated without physically unlocking the slide gate operator with the key first. The slide gate operator "Fails" (Loss of AC power) in a "Secure" (Manually in-operable) condition. This option is **typically used in UL 325 Class III and Class IV applications.**

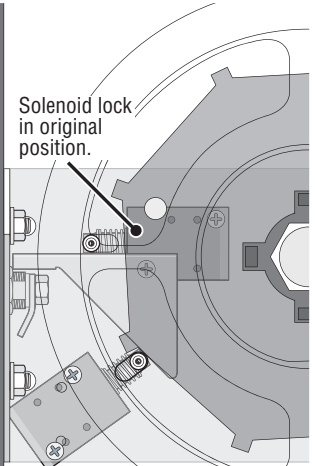
**Kit Includes:** Lock with 2 keys, release bracket with screw, washer and locknut.

## Installation

### DIP-Switch Setting

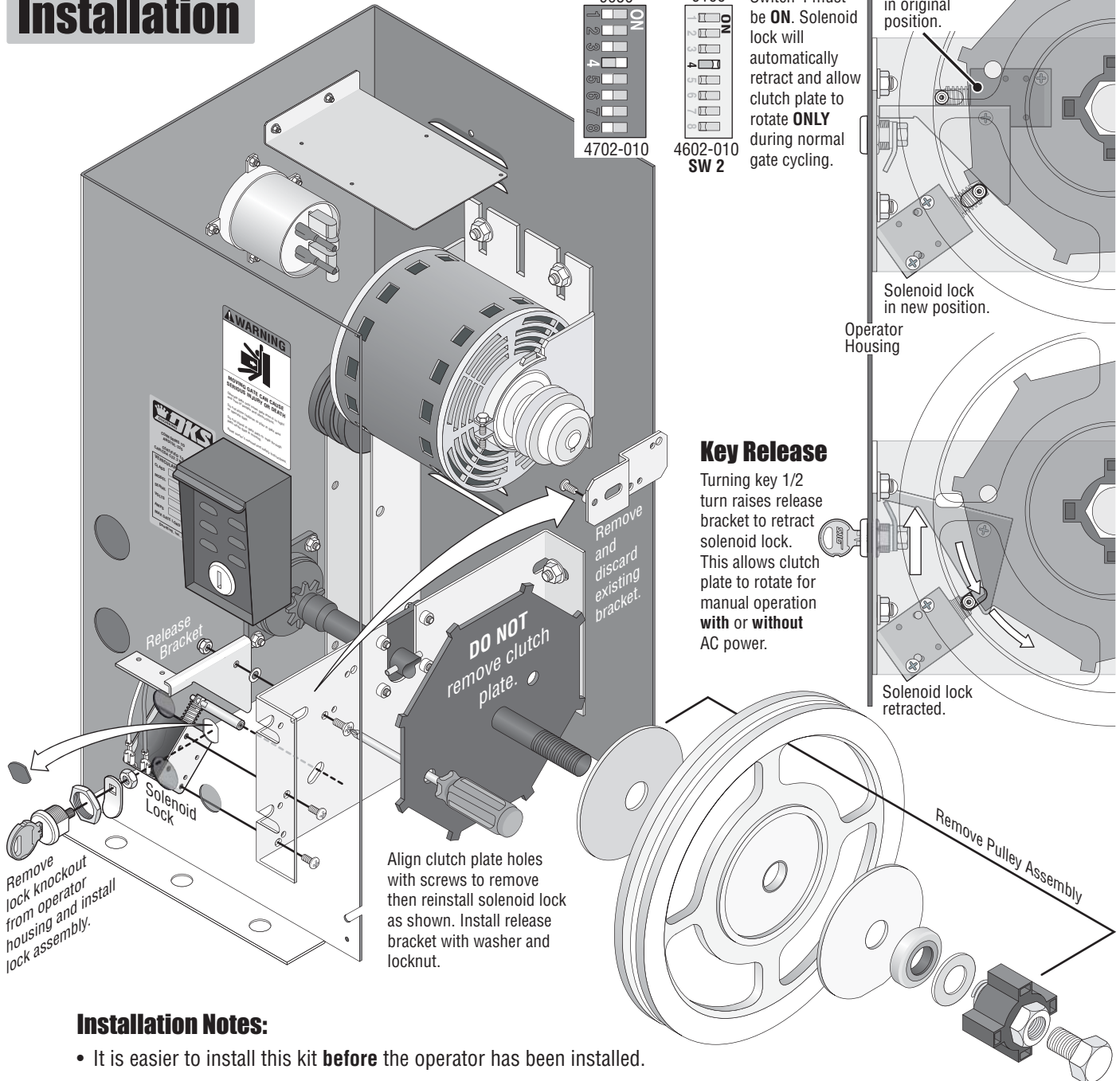
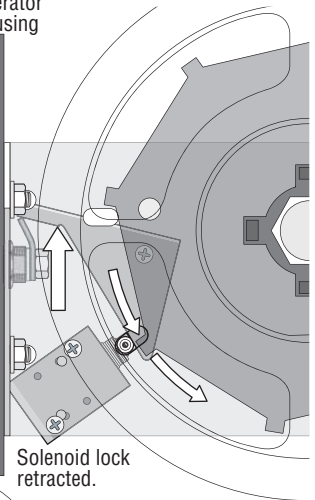


Switch 4 must be **ON**. Solenoid lock will automatically retract and allow clutch plate to rotate **ONLY** during normal gate cycling.



Solenoid lock in new position.

Operator Housing



### Key Release

Turning key 1/2 turn raises release bracket to retract solenoid lock. This allows clutch plate to rotate for manual operation **with or without** AC power.

### Installation Notes:

- It is easier to install this kit **before** the operator has been installed.
- Make sure that power to the operator is **OFF** if operator is already operational.
- When reinstalling solenoid lock, existing mounting holes may need to be elongated to allow retracted lock to clear clutch plate stops.