

Installation/Owner's Manual

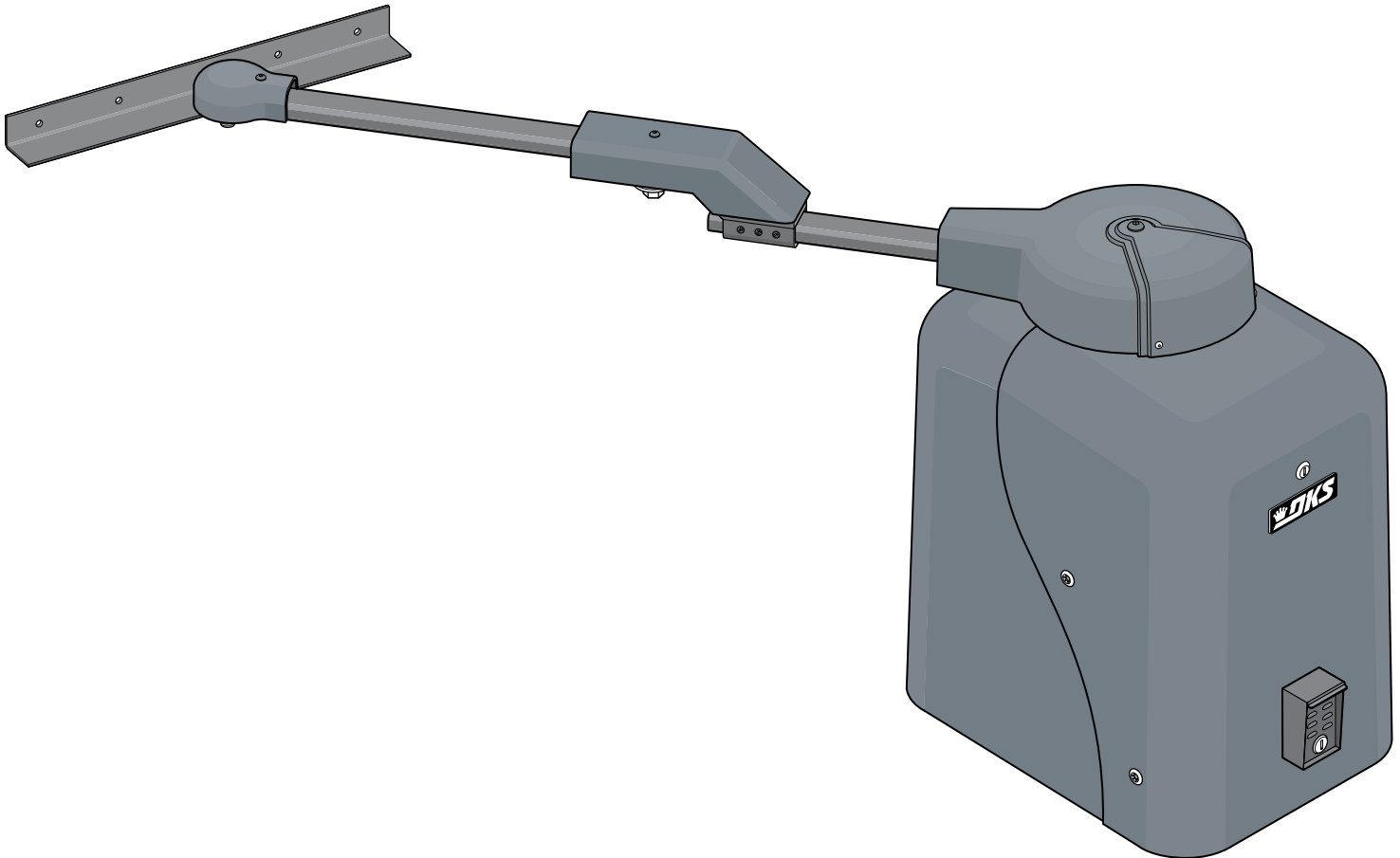
Series 6500

Vehicular Swing Gate Operator

Use this manual for circuit board 4405-010 Revision E or higher.

6500-065-H-5-18

Entrapment Protection must be provided for the gate system where the risk of entrapment or obstruction exists. The operator will not run without one or more monitored type B1 or B2 entrapment protection devices.



THIS PRODUCT IS TO BE INSTALLED AND SERVICED BY A TRAINED GATE SYSTEMS TECHNICIAN ONLY.
Visit www.dkslocator.com to find a professional installing and servicing dealer in your area.

Date Installed: _____

Installer/Company Name: _____

Phone Number: _____

Circuit Board
Serial Number
and Revision Letter: _____

Leave Manual with Owner

Copyright 2018 DoorKing, Inc. All rights reserved.



Conforms To UL STD 325
Certified To CSA STD C22.2 # 247



QUICK GUIDE: DIP-Switches

See page 22 for more information about DIP-switches.

The two DIP-switches located on the circuit board are used to program the operator to operate in various modes and to turn on or off various operating features. Whenever a switch setting is changed, power to the operator must be turned OFF and then turned back on for the new setting to take affect. Check and review ALL switch settings prior to applying power to the operator.

| SW 1 (Top 8 Switches) | | | |
|-----------------------|--|---|--|
| Switch | Function | Setting | Description |
| 1 | Primary 6500 Changes Gate Opening Direction | Opens Clockwise | ON |
| | | Opens Counter-Clockwise | OFF |
| 2 | Secondary 6500 Changes Gate Opening Direction | Same as above, for secondary 6500 ONLY . | |
| 3 | Exit Loop Port Output | OFF | The output wired to terminal #4 becomes the output from the exit loop detector plugged into the EXIT Loop port. |
| | Full Open Input | ON | Normal Setting. Terminal #4 is a normal full open input. |
| 4 | Auto-Close Timer | OFF | Auto-close timer is OFF. Manual input required to close gate. |
| | | ON | Normal Setting. Auto-close timer is ON. Adjustable from 1-23 seconds. |
| 5 | Reverses Gate | OFF | Normal Setting. Input to terminal #6 and reverse loop will stop and reverse gate to the full open position during the close cycle ONLY . |
| | External Shadow Loop Detector | ON | Input to terminal #6 becomes a SHADOW loop input. It is only active when the gate is fully opened. (Shadow loop setting when external loop detector is used) |
| 6 | Single Operator | OFF | Normal Setting. Switch must be OFF for single operator. |
| | Dual Operators | ON | Switch must be ON when primary/secondary (dual) gates are used. |
| 7 and 8 | Circuit Board Relay | 7-OFF 8-OFF | Normal Setting. Relay activates when gate is at open limit. (Shadow loop setting when DoorKing Plug-In loop detector is used) |
| | | 7-OFF 8-ON | Relay activates when gate is not closed. |
| | | 7-ON 8-OFF | Relay activates when gate is opening and open. |
| | | 7-ON 8-ON | Relay activates during opening and closing cycle. |

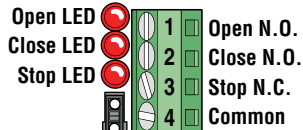
See page 22 for ALL DIP-switch definitions and typical settings.

| SW 2 (Bottom 4 Switches) | | | |
|--------------------------|---------------|---------|--|
| Switch | Function | Setting | Description |
| 1 | Gate Overlap | OFF | Primary and secondary operators start at the same time (Normal setting for single gate operator). |
| | | ON | The secondary operator will start 1.5 sec. before primary operator during open cycle and the primary operator will start 1.5 sec. before the secondary operator during the close cycle (Normal setting for bi-parting gate operators). |
| 2 | Magnetic lock | OFF | Normal Setting. Magnetic lock is not used. |
| | | ON | Magnetic lock is used and connected to terminals 9 and 12. See page 27 for wiring. |
| 3 | | OFF | Normal Setting. Switch 3 MUST be turned OFF for Model 6500 operator. |
| 4 | | OFF | Normal Setting. Switch 4 MUST be turned OFF for Model 6500 operator. |

See pages 27 and 28 for terminal wiring.

QUICK GUIDE: Terminal Descriptions

4-Pin Non-Removable Terminal



Jumper on **bottom** 2 pins when using 4-pin terminal.

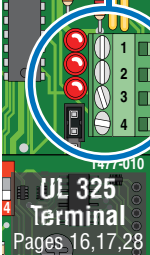
Jumper on **top** 2 pins when **NOT** using 4-pin terminal.

Notes:

- Use a standard 4-wire 3-button control station. DoorKing's 3-wire 3-button control station **cannot** be used.
- When using a 3-button control station **AND** an interlock device together, #3 terminal (N.C.) must be wired in series.
- See page 27 for wiring.

20-Pin Main Terminal

| | |
|----|---------------------------------------|
| 1 | Low Voltage Common |
| 2 | Full Open |
| 3 | 24 VAC - 250 mA max. (See note below) |
| 4 | Full Open |
| 5 | Full Open |
| 6 | Standard Reverse |
| 7 | Gate Tracker Data |
| 8 | Gate Tracker Busy |
| 9 | 24 VDC Mag Lock Power |
| 10 | Dry Relay Contact |
| 11 | Dry Relay Contact |
| 12 | Low Voltage Common |
| 13 | Low Voltage Common |
| 14 | Entrapment Alarm |
| 15 | Alarm Reset |
| 16 | Secondary Current Sensor |
| 17 | Motor |
| 18 | Motor |
| 19 | Circuit Board Power |
| 20 | Circuit Board Power |



Terminal #3 Note:

Exceeding 250 mA of power from this terminal may cause the circuit board transformer to overheat, causing intermittent problems.

- If SW 1, **switch 3** is **ON**, functions as a normal full open input (Normal setting).
- If SW 1, **switch 3** is **OFF**, input to terminal #4 becomes the output from the EXIT loop detector plugged into the EXIT loop port. (Used for specialized functions).



- When gate is closed, input will open gate.
- When gate is open and auto close timer SW 1, switch 4 is turned **ON**, input will re-set and hold timer.
- When gate is open and auto close timer SW 1, switch 4 is turned **OFF**, input will close gate.
- When gate is closing, input will reverse gate.

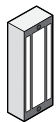


This input **ONLY** functions when gate is **fully opened** or in the **closing cycle**.

- When gate is closing: SW 1, **switch 5** is **OFF**, an input to terminal #6 (e.g.: photo beam gets obstructed) will stop and **reverse** and the gate to the full open position.
- Note:** If the auto-close timer is **ON**, when gate reaches the open position, timer **will not** close the gate. Another input command is needed to reset and close the gate (Normal Setting).
- SW 1, **switch 5 ON**, an input to terminal #6 (e.g.: external loop detector connected) becomes a SHADOW loop input. It is only active when the gate is fully opened.



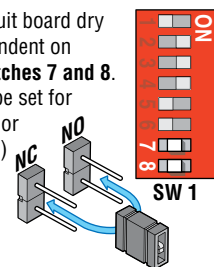
24-volt DC magnetic lock power is provided constantly except when the gate is **opening** or **open** (Normally Closed function). 1 Amp Max.



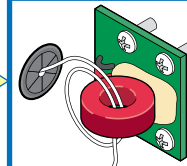
Operation of the circuit board dry relay contact is dependent on setting of SW 1, **switches 7 and 8**. **Relay contacts** can be set for Normally Open (NO) or Normally Closed (NC) operation.

Contact rating is 1 amp maximum at 24-volts DC.

Relay **Not Available** when using DoorKing plug-In shadow loop detector.



For dual operator applications **ONLY**. Allows the secondary reversing sensor to monitor the current flow into the secondary operator. See page 25 for more information.



SPECIFICATIONS

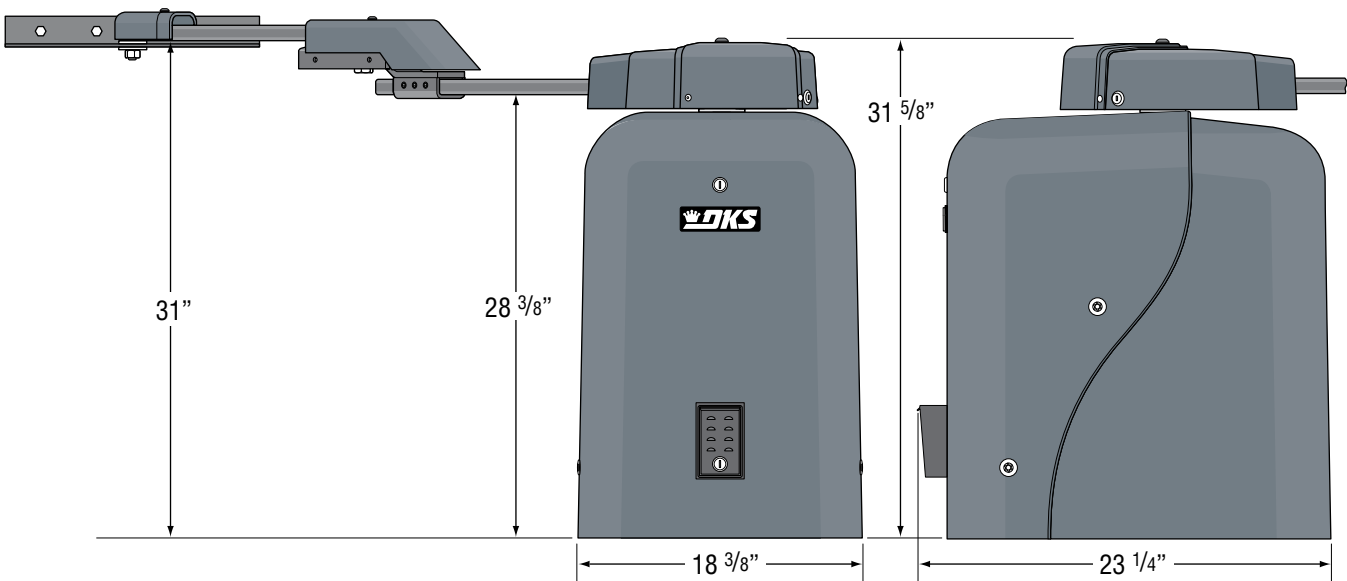
Use this manual for the Model 6500 operators with circuit board 4405-010 Rev E or higher ONLY.

| | |
|--|---|
| Class of Operation | Model 6500 - UL325 Class I, II, III, IV |
| Type of Gate | Vehicular Swing Gates Only |
| Inherent Entrapment Protection Device | Inherent Reverse Sensor System (Type A) |
| External Entrapment Protection Device Inputs (Monitored Inputs) | Connection inputs for Non-contact Sensor - Photo Sensor (Type B1) Connection input for Contact Sensor - Reversing Edge (Type B2) |

**Entrapment Protection must be provided for the gate system where the risk of entrapment or obstruction exists.
The operator will not run without one or more monitored type B1 or B2 entrapment protection devices.**

| Model # | Convenience Open | Type Operator | Horsepower - Volts | Phase | Amp | Max Gate Weight | Max Gate Length | Cycles Per Hour | Speed 90° |
|----------|------------------|---------------|--------------------|---------|-----|-----------------|-----------------|-----------------|-----------|
| 6500-080 | No | Primary | 1/2 HP - 115 VAC | 1-Phase | 5.4 | 600 Lbs. | 18 Ft. | 60 | 12-14 Sec |
| 6500-081 | No | Secondary | 1/2 HP - 115 VAC | 1-Phase | 5.4 | 600 Lbs. | 18 Ft. | 60 | 12-14 Sec |
| 6500-082 | Yes | Primary | 1/2 HP - 115 VAC | 1-Phase | 5.4 | 600 Lbs. | 18 Ft. | 60 | 12-14 Sec |
| 6500-083 | Yes | Secondary | 1/2 HP - 115 VAC | 1-Phase | 5.4 | 600 Lbs. | 18 Ft. | 60 | 12-14 Sec |
| 6500-084 | No | Primary | 1 HP - 115 VAC | 1-Phase | 9.7 | 800 Lbs. | 22 Ft. | 60 | 12-14 Sec |
| 6500-085 | No | Secondary | 1 HP - 115 VAC | 1-Phase | 9.7 | 800 Lbs. | 22 Ft. | 60 | 12-14 Sec |
| 6500-086 | Yes | Primary | 1 HP - 115 VAC | 1-Phase | 9.7 | 800 Lbs. | 22 Ft. | 60 | 12-14 Sec |
| 6500-087 | Yes | Secondary | 1 HP - 115 VAC | 1-Phase | 9.7 | 800 Lbs. | 22 Ft. | 60 | 12-14 Sec |

Note: 208/230/460/575 VAC input voltage can be connected to the operator by installing an "Optional" High Voltage Kit (P/N 2600-266).



DoorKing, Inc. reserves the right to make changes in the products described in this manual without notice and without obligation of DoorKing, Inc. to notify any persons of any such revisions or changes. Additionally, DoorKing, Inc. makes no representations or warranties with respect to this manual. This manual is copyrighted, all rights reserved. No portion of this manual may be copied, reproduced, translated, or reduced to any electronic medium without prior written consent from DoorKing, Inc.

TABLE OF CONTENTS

QUICK GUIDES

| | |
|------------------------------------|-----------------|
| Quick Guide: DIP-Switches | Quick Guide - 1 |
| Quick Guide: Terminal Descriptions | Quick Guide - 2 |

SPECIFICATIONS

| | Previous Page |
|---|---------------|
| Swing Gate Requirements | 2 |
| Swing Gate Protection | 3 |
| ASTM F2200 Standard for Gate Construction | 4 |
| Important Safety Instructions | 4 |
| Instructions regarding intended installation: | 4 |
| Important Notices | 5 |
| UL 325 Entrapment Protection | 6 |
| Glossary | 7 |

SECTION 1 - INSTALLATION

8

| | | |
|-----|--|-------|
| 1.1 | Underground Conduit Requirements | 8 |
| 1.2 | Concrete Pad | 8 |
| 1.3 | Installation Layouts | 9-12 |
| 1.4 | Overlapping Bi-Parting Gate Operator Positions | 13 |
| 1.5 | Securing Operator to Pad | 14 |
| 1.6 | Attach Gate Bracket | 14 |
| 1.7 | Determining Arm Lengths | 15 |
| 1.8 | Installation of Warning Signs | 15 |
| 1.9 | Entrapment Protection Installation | 16-17 |

SECTION 2 - AC POWER TO OPERATOR(S)

18

| | | |
|-----|---|----|
| 2.1 | High Voltage Wire Run | 18 |
| 2.2 | High Voltage Terminal Connection | 18 |
| 2.3 | Bi-Parting Gates Wiring - Dual Gate Operators | 19 |

SECTION 3 - ADJUSTMENTS

20

| | | |
|-----|---|-------|
| 3.1 | 4405 Circuit Board Descriptions and Adjustments | 20 |
| 3.2 | DIP-Switch Settings for 4405 Circuit Board | 21-22 |
| 3.3 | Limit Sensors | 23 |
| 3.4 | Inherent Reverse Sensors Adjustment | 24 |
| 3.5 | Secondary Current Sensor Adjustment | 25 |

SECTION 4 - WIRING

26

| | | |
|-----|------------------------------|----|
| 4.1 | Terminal Descriptions | 26 |
| 4.2 | Control Wiring | 27 |
| 4.3 | Entrapment Protection Wiring | 28 |
| 4.4 | Loop Detector Wiring | 29 |

SECTION 5 - OPERATING INSTRUCTIONS

30

| | | |
|-----|------------------------|-------|
| 5.1 | Power and Reset Switch | 30 |
| 5.2 | Shutdown Conditions | 31-32 |
| 5.3 | Manual Gate Operation | 32-33 |

SECTION 6 - MAINTENANCE AND TROUBLESHOOTING

34

| | | |
|-----|-------------------------------------|-------|
| 6.1 | Maintenance | 34 |
| 6.2 | Troubleshooting | 35-36 |
| 6.3 | Built-in Diagnostics | 37 |
| 6.4 | Accessory Items | 38 |
| 6.5 | Gearbox Shaft Extension Replacement | 39 |
| | Model 6500's Wiring Diagrams | 40-42 |

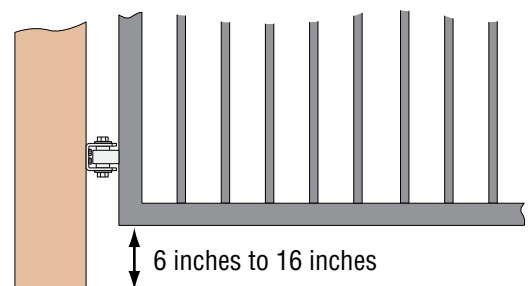
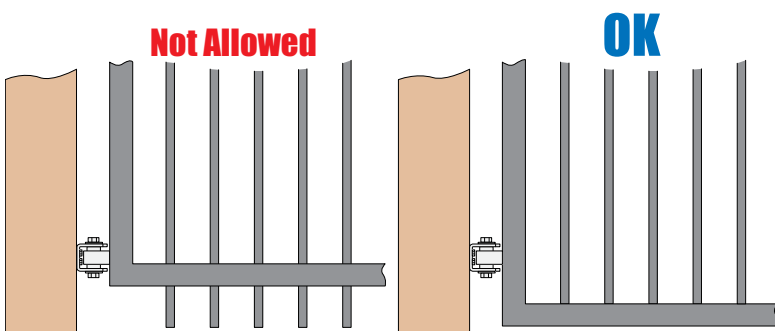
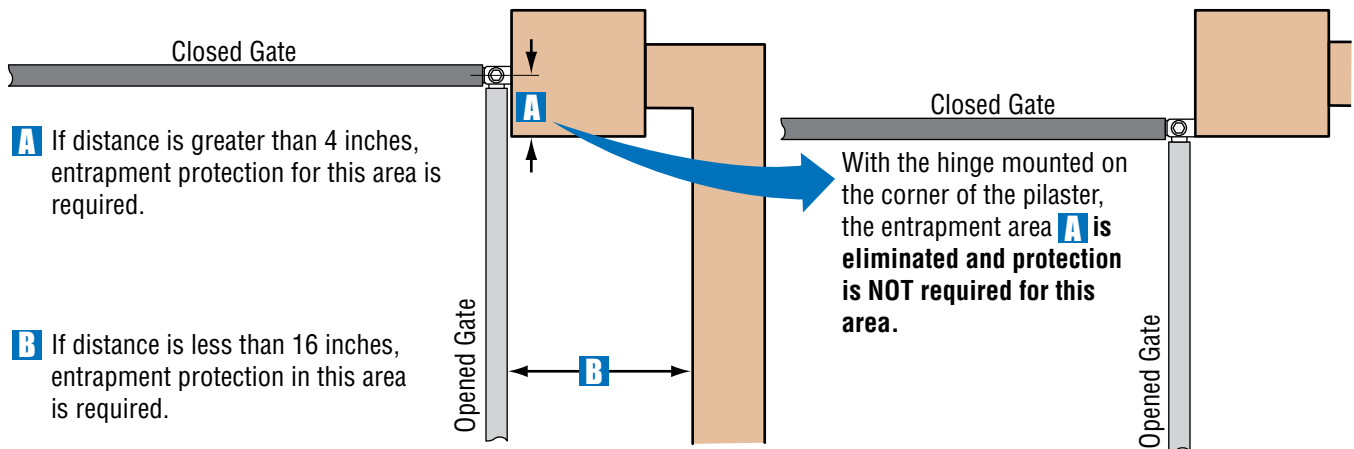
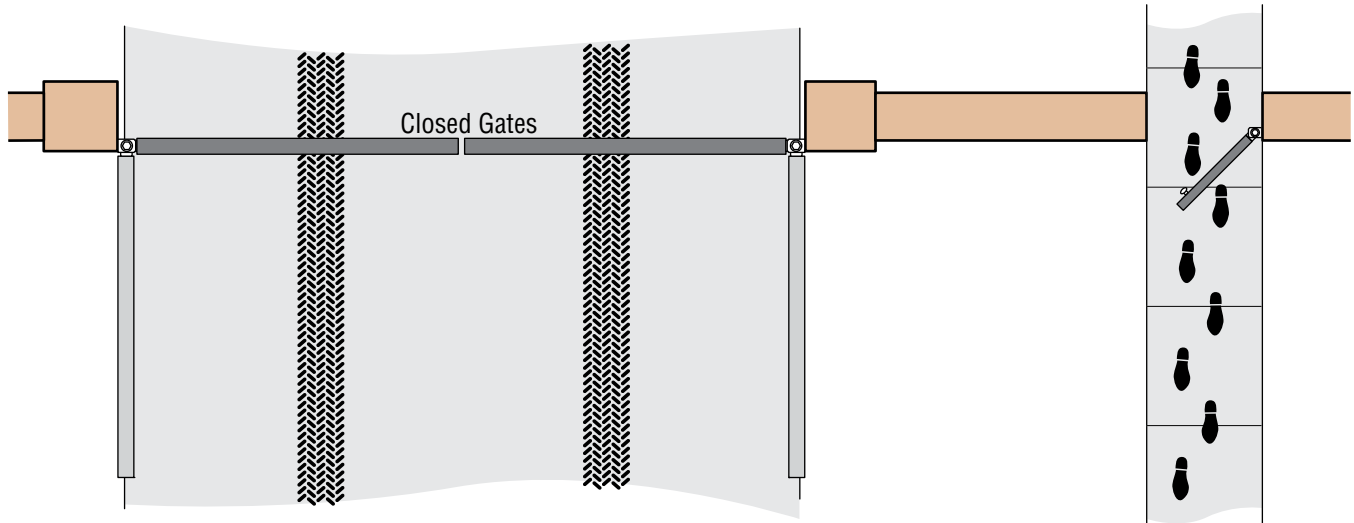
SECTION 7 - OWNER OF THE GATE OPERATOR

43

| | | |
|-----|--|----|
| 7.1 | Alarm Sounding and Gate WILL NOT Operate | 43 |
| 7.2 | Manual Gate Operation | 44 |
| 7.3 | Gate Operators Monthly Checkup | 45 |
| | Printable Safety Page | 47 |

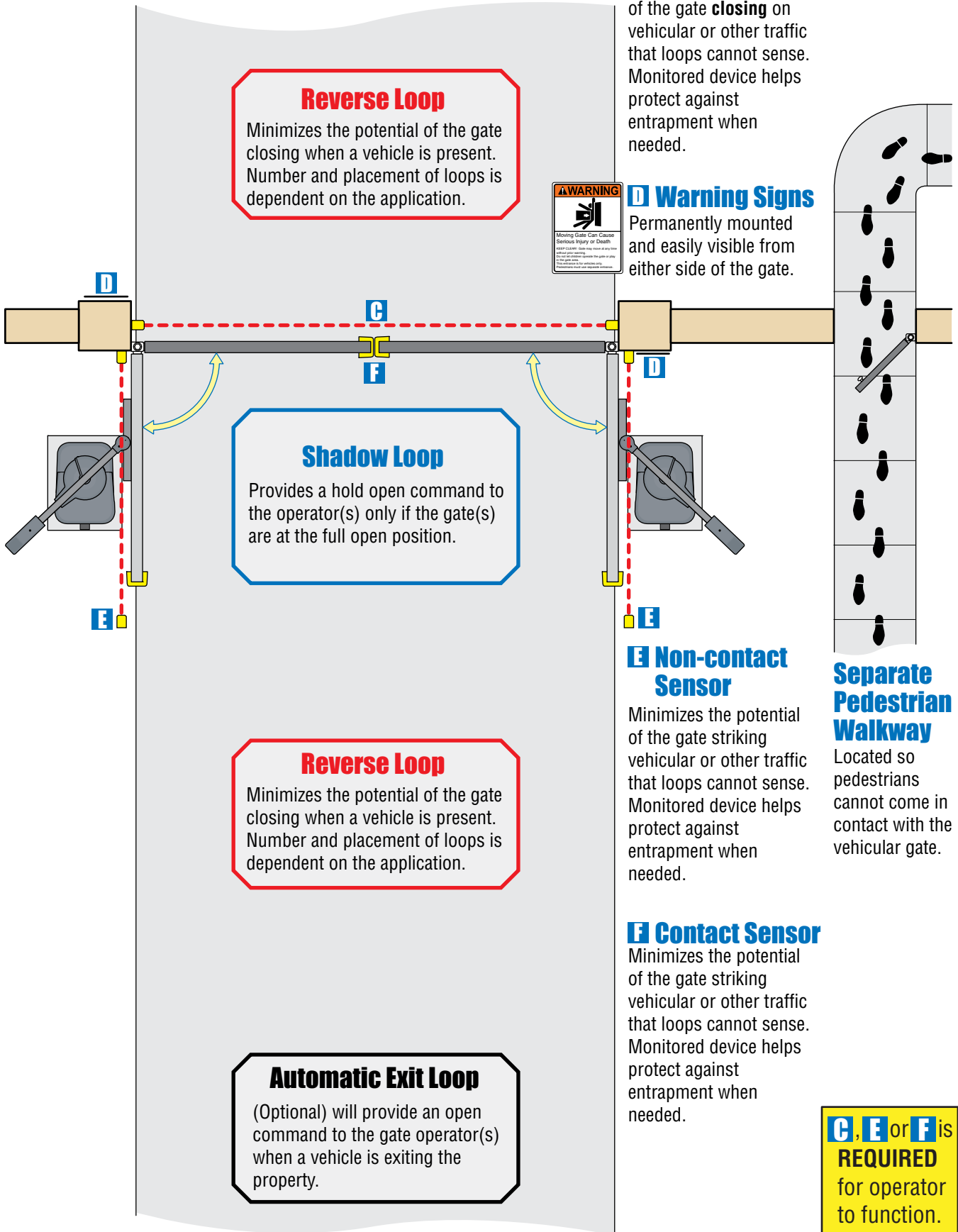
Swing Gate Requirements

The operator is intended for installation only on gates used for vehicles. Pedestrians must be supplied with a separate access opening. The pedestrian access opening shall be designed to promote pedestrian usage. Locate the gate such that persons will not come in contact with the vehicular gate during the entire path of travel of the vehicular gate.



If bottom of gate is 6" to 16" above the ground at any part of the gate's traveling path, entrapment protection for this area is required.

Swing Gate Protection



ASTM F2200 Standard for Gate Construction

Vehicular gates should be constructed and installed in accordance with ASTM F2200; Standard Specification for Automated Vehicular Gate Construction. For a copy of this standard, contact ASTM directly at 610-832-9585; service@astm.org; or www.astm.org.

Important Safety Instructions

WARNING - To reduce the risk of injury or death:

1. READ AND FOLLOW ALL INSTRUCTIONS.
2. Never let children operate or play with gate controls. Keep the remote control away from children.
3. Always keep people and objects away from gate. **NO ONE SHOULD CROSS THE PATH OF THE MOVING GATE.**
4. Test the operator monthly. The gate MUST reverse on contact with a rigid object or stop or reverse when an object activates the non-contact sensors. After adjusting the force or the limit of travel, retest the gate operator. Failure to adjust and retest the gate operator properly can increase the risk of injury or death.
5. Use the emergency release only when the gate is not moving.
6. KEEP GATES PROPERLY MAINTAINED. Read the owner's manual. Have a qualified service person make repairs to gate hardware.
7. The entrance is for vehicles only. Pedestrians must use separate entrance.
8. **SAVE THESE INSTRUCTIONS!**

Instructions regarding intended installation:

- Install the gate operator only if:
 1. The operator is appropriate for the construction of the gate and the usage class of the gate.
 2. All openings of a horizontal slide gate are guarded or screened from the bottom of the gate to a minimum of 6 feet (1.83 m) above the ground to prevent a 2 ¼ inch (57.2 mm) diameter sphere from passing through the openings anywhere in the gate, and in that portion of the adjacent fence that the gate covers in the open position.
 3. All exposed pinch points are eliminated or guarded.
 4. Guarding is supplied for exposed rollers.
- The operator is intended for installation only on gates used for vehicles. Pedestrians must be supplied with a separate access opening. The pedestrian access opening shall be designed to promote pedestrian usage. Locate the gate such that persons will not come in contact with the vehicular gate during the entire path of travel of the vehicular gate.
- The gate must be installed in a location so that enough clearance is supplied between the gate and adjacent structures when opening and closing to reduce the risk of entrapment. Swinging gates should not open into public access areas.
- The gate must be properly installed and work freely in both directions prior to the installation of the gate operator. Do not over-tighten the operator clutch, pressure relief valve or reduce reversing sensitivity to compensate for a damaged gate.
- For gate operators utilizing Type D protection:
 1. The gate operator controls must be placed so that the user has full view of the gate area when the gate is moving.
 2. A warning placard shall be placed adjacent to the controls.
 3. An automatic closing device (such as a timer, loop sensor, or similar device) shall not be employed.
 4. No other activation device shall be connected.
- Controls intended for user activation must be located at least six feet (6') away from any moving part of the gate and where the user is prevented from reaching over, under, around or through the gate to operate the controls. Outdoor or easily accessible controls should have a security feature to prevent unauthorized use.
- The Stop and/or Reset button must be located in the line-of-sight of the gate. Activation of the reset control shall not cause the operator to start.
- A minimum of two (2) WARNING SIGNS shall be installed, one on each side of the gate where easily visible.
- For gate operators utilizing a non-contact sensor:
 1. See the instructions on the placement of non-contact sensors for each type of application.
 2. Care shall be exercised to reduce the risk of nuisance tripping, such as when a vehicle trips the sensor while the gate is still moving in the opening direction.
 3. One or more non-contact sensors shall be located where the risk of entrapment or obstruction exist, such as the perimeter reachable by a moving gate or barrier.
- For gate operators utilizing contact sensors:
 1. One or more contact sensors shall be located where the risk of entrapment or obstruction exist, such as at the leading edge, trailing edge, and post mounted both inside and outside of a vehicular horizontal slide gate.
 2. One or more contact sensors shall be located at the bottom edge of a vehicular vertical lift gate.
 3. One or more contact sensors shall be located at the pinch point of a vehicular vertical pivot gate.
 4. A hardwired contact sensor shall be located and its wiring arranged so that the communication between the sensor and the gate operator is not subjected to mechanical damage.
 5. A wireless contact sensor such as one that transmits radio frequency (RF) signals to the gate operator for entrapment protection functions shall be located where the transmission of the signals are not obstructed or impeded by building structures, natural landscaping or similar obstructions. A wireless contact sensor shall function under the intended end-use conditions.
 6. One or more contact sensors shall be located at the bottom edge of a vertical barrier (arm).
- Be sure you have instructed the owner of the gate operator about safe and proper operation and testing of the gate operator.

Important Notices

Vehicular gate operator products provide convenience and security. However, gate operators must use high levels of force to move gates and most people underestimate the power of these systems and do not realize the potential hazards associated with an incorrectly designed or installed system. These hazards may include:

- Pinch points
- Entrapment areas
- Reach through hazards
- Absence of entrapment protection devices
- Improperly located access controls
- Absence of vehicle protection devices
- Absence of controlled pedestrian access

In addition to these potential hazards, automated vehicular gate systems must be installed in accordance with the UL 325 Safety Standard and the ASTM F2200 Construction Standard. Most people are unaware of, or are not familiar with, these standards. If an automated vehicular gate system is not properly designed, installed, used and maintained, serious injuries or death can result. Be sure that the installer has instructed you on the proper operation of the gate and gate operator system.

Be sure that the installer has trained you on proper and safe operation of this gate operating system and about the basic functions of the required reversing systems associated with your gate operating system and how to test them (see section 7). These include reversing loops, inherent reversing system, electric edges, photoelectric cells, or other external devices.

- This Owner's Manual is your property. Keep it in a safe place for future reference.
- Be sure that all access control devices are installed a minimum distance of 6 feet away from the gate and gate operator, or in such a way that a person cannot touch the gate or gate operator while using the device. If access control devices are installed in violation of these restrictions, immediately remove the gate operator from service and contact your installing dealer.

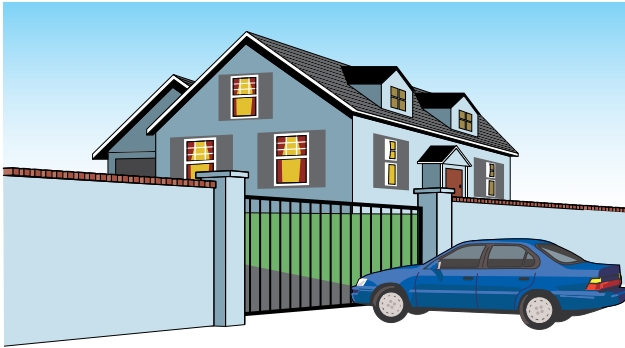
Opening device MUST be mounted a minimum of 6 feet from the gate and NOT accessible through the gate!



- Loops and loop detectors, photo-cells or other equivalent devices must be installed to prevent the gate from closing on vehicular traffic.
- The speed limit for vehicular traffic through the gate area is 5 MPH. Install speed bumps and signs to keep vehicular traffic from speeding through the gate area. Failure to adhere to posted speed limits can result in damage to the gate, gate operator, and to the vehicle.
- Be sure that all persons who will use the gate system are familiar with the proper use of the gate and gate operator and are familiar with the possible hazards associated with the gate system.
- Be sure that warning signs are permanently installed on both sides of the gate in an area where they are fully visible to traffic.
- It is your responsibility to periodically check all entrapment protection devices. If any of these devices are observed to function improperly, remove the operator from service immediately and contact your installing or servicing dealer.
- Follow the recommended maintenance schedule.
- Do not allow children to play in the area of the operator or to play with any gate-operating device.
- To remove the gate operator from service, operate the gate to the full open position and then shut off power to the operator at the service panel.

UL 325 Entrapment Protection

UL 325 Classifications



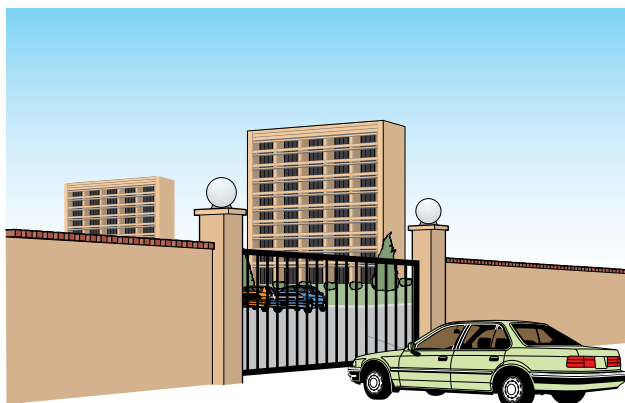
Class I - Residential Vehicular Gate Operator

A vehicular gate operator (or system) intended for use in garages or parking areas associated with a residence of one-to four single families.



Class III - Industrial/Limited Access Vehicular Gate Operator

A vehicular gate operator (or system) intended for use in an industrial location or building such as a factory or loading dock area or other locations not accessible by or intended to service the general public.



Class II - Commercial/General Access Vehicular Gate Operator

A vehicular gate operator (or system) intended for use in a commercial location or building such as a multi-family housing unit (five or more single family units), hotel, garages, retail store, or other buildings accessible by or servicing the general public.



Class IV - Restricted Access Vehicular Gate Operator

A vehicular gate operator (or system) intended for use in a guarded industrial location or building such as an airport security area or other restricted access locations not servicing the general public, in which unauthorized access is prevented via supervision by security personnel.

Gate Operator Category

| | Horizontal Slide, Vertical Lift, Vertical Pivot | Swing, Vertical Barrier (Arm) |
|-----------------------------|---|-------------------------------|
| Entrapment Protection Types | A, B1*, B2* or D | A, B1*, B2*, C or D |

Type A - Inherent entrapment protection system.

Type B1 - Non-contact sensor (photoelectric sensor or the equivalent).

Type B2 - Contact sensor (edge device or equivalent).

Type C - Inherent force limiting, inherent adjustable clutch or inherent pressure relief device.

Type D - Actuating device requiring constant pressure to maintain opening or closing motion of the gate.

* B1 and B2 means of entrapment protection must be MONITORED.

Vertical Barrier Note: Barrier gate operators (arm) that is not intended to move toward a rigid object closer than 16 inches (406 mm) are not required to be provided with a means of entrapment protection.

Glossary

GATE - A moving barrier such as a swinging, sliding, raising, lowering, or the like, barrier, that is a stand-alone passage barrier or is that portion of a wall or fence system that controls entrance and/or egress by persons or vehicles and completes the perimeter of a defined area.

RESIDENTIAL VEHICULAR GATE OPERATOR – CLASS I - A vehicular gate operator (or system) intended for use in a home of one-to four single family dwelling, or garage or parking area associated therewith.

COMMERCIAL / GENERAL ACCESS VEHICULAR GATE OPERATOR - CLASS II - A vehicular gate operator (or system) intended for use in a commercial location or building such as a multi-family housing unit (five or more single family units), hotels, garages, retail store, or other building servicing the general public.

INDUSTRIAL / LIMITED ACCESS VEHICULAR GATE OPERATOR - CLASS III - A vehicular gate operator (or system) intended for use in an industrial location or building such as a factory or loading dock area or other locations not intended to service the general public.

RESTRICTED ACCESS VEHICULAR GATE OPERATOR - CLASS IV - A vehicular gate operator (or system) intended for use in a guarded industrial location or building such as an airport security area or other restricted access locations not servicing the general public, in which unauthorized access is prevented via supervision by security personnel.

VEHICULAR BARRIER (ARM) OPERATOR (OR SYSTEM) - An operator (or system) that controls a cantilever type device (or system), consisting of a mechanical arm or barrier that moves in a vertical arc, intended for vehicular traffic flow at entrances or exits to areas such as parking garages, lots or toll areas.

VEHICULAR HORIZONTAL SLIDE-GATE OPERATOR (OR SYSTEM) - A vehicular gate operator (or system) that controls a gate which slides in a horizontal direction that is intended for use for vehicular entrance and exit to a drive, parking lot, or the like.

VEHICULAR SWING-GATE OPERATOR (OR SYSTEM) - A vehicular gate operator (or system) that controls a gate which moves in an arc in a horizontal plane that is intended for use for vehicular entrance and exit to a drive, parking lot, or the like.

SYSTEM - In the context of these requirements, a system refers to a group of interacting devices intended to perform a common function.

WIRED CONTROL - A control implemented in a form of fixed physical interconnections between the control, the associated devices, and an operator to perform predetermined functions in response to input signals.

WIRELESS CONTROL - A control implemented in means other than fixed physical interconnections (such as radio waves or infrared beams) between the control, the associated devices, and an operator to perform predetermined functions in response to input signals.

INHERENT ENTRAPMENT PROTECTION SYSTEM - A system, examples being a motor current or speed sensing system, which provides protection against entrapment upon sensing an object and is incorporated as a permanent and integral part of the operator.

EXTERNAL ENTRAPMENT PROTECTION DEVICE - A device, examples being an edge sensor, a photoelectric sensor, or similar entrapment protection device, which provides protection against entrapment when activated and is not incorporated as a permanent part of an operator.

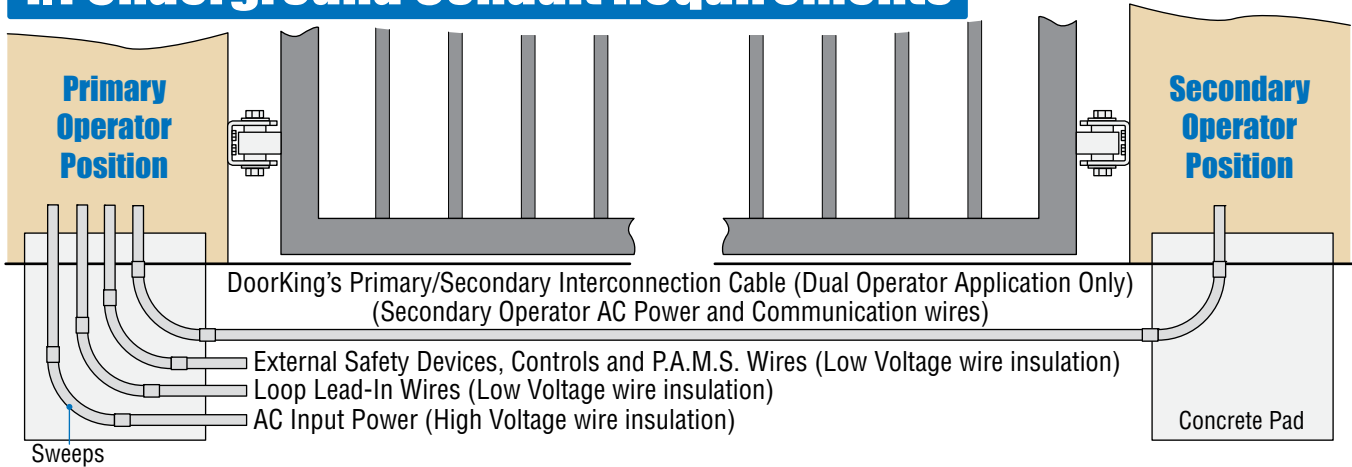
ENTRAPMENT - The condition when an object is caught or held in a position that increases the risk of injury.

SECTION 1 - INSTALLATION

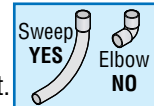
Prior to beginning the installation of the swing gate operator, we suggest that you become familiar with the instructions, illustrations, and wiring guide-lines in this manual. This will help insure that your installation is performed in an efficient and professional manner compliant with UL 325 safety and ASTM F2200 construction standards.

The proper installation of the vehicular swing gate operator is an extremely important and integral part of the overall access control system. Check all local building ordinances and building codes prior to installing this operator. Be sure your installation is in compliance with local codes.

1.1 Underground Conduit Requirements

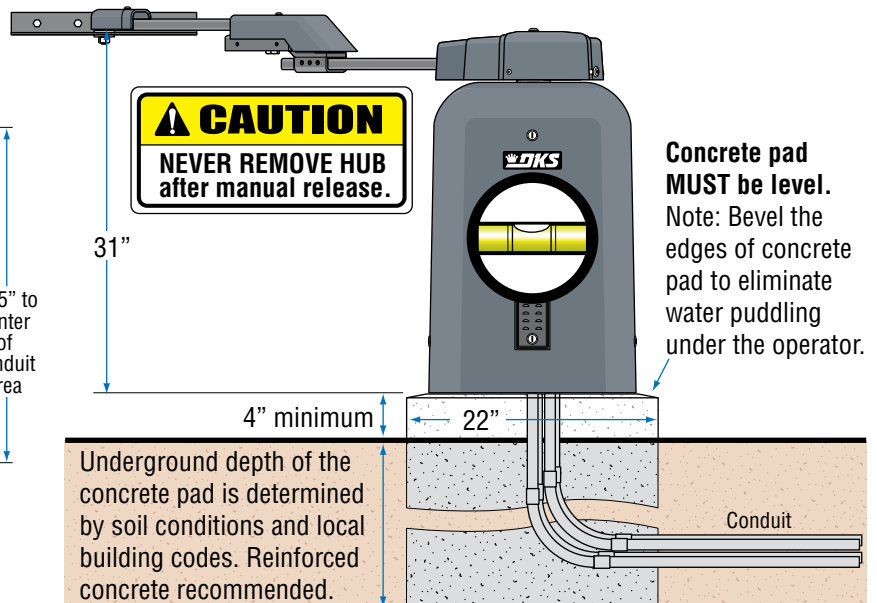
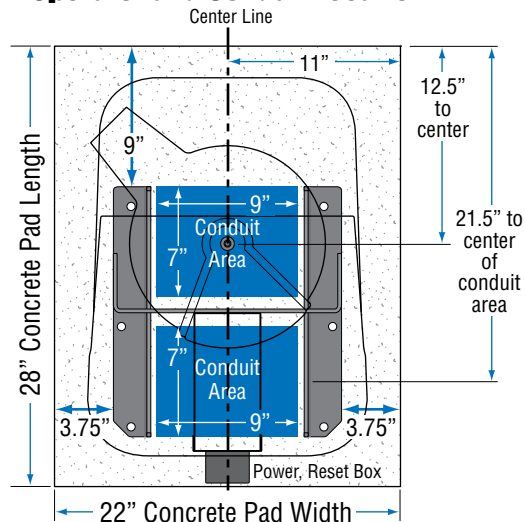


- The conduit requirements are for a typical slide gate operator installation (the secondary operator is shown for those applications where a secondary operator may be used). **The conduit requirements for your application may vary from this depending on your specific needs.**
- Use only sweeps for conduit bends. Do not use 90° elbows as this will make wire pulls very difficult and can cause damage to wire insulation. DoorKing recommends using 3/4-inch conduit.
- Installation of **External Entrapment Protection Devices** is **REQUIRED** (photo sensor and/or reversing edge).
- Be sure that all conduits are installed in accordance with local codes.
- Never** run low voltage rated wire insulation in the same conduit as high voltage rated wire insulation.



1.2 Concrete Pad

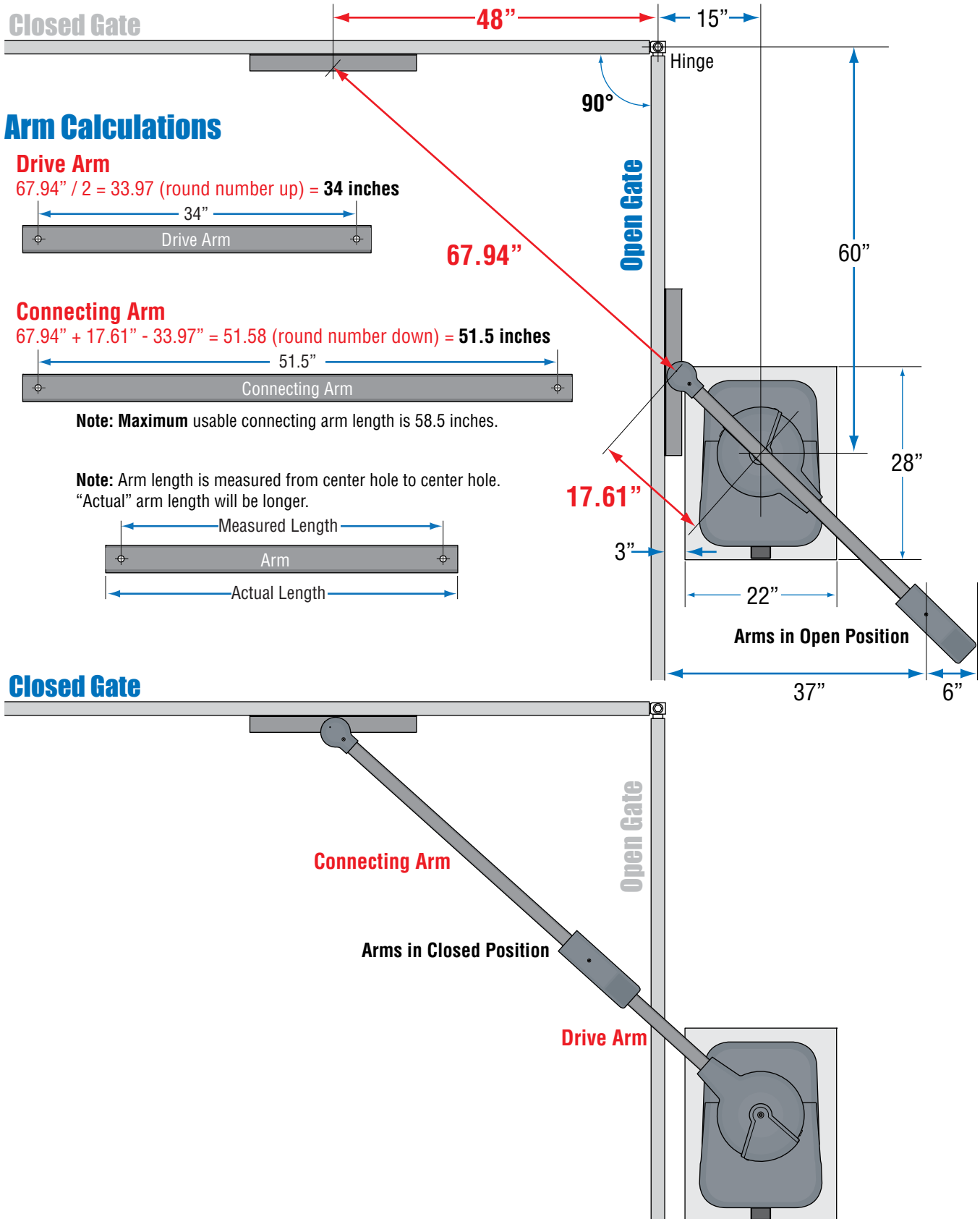
Operator and Conduit Location



1.3 Installation Layouts

48" Gate Attachment Point - Gates up to 22 Ft.

Closed Gate



Arm Calculations

Drive Arm

$67.94" / 2 = 33.97$ (round number up) = **34 inches**



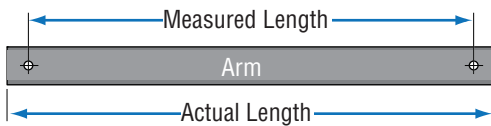
Connecting Arm

$67.94" + 17.61" - 33.97" = 51.58$ (round number down) = **51.5 inches**



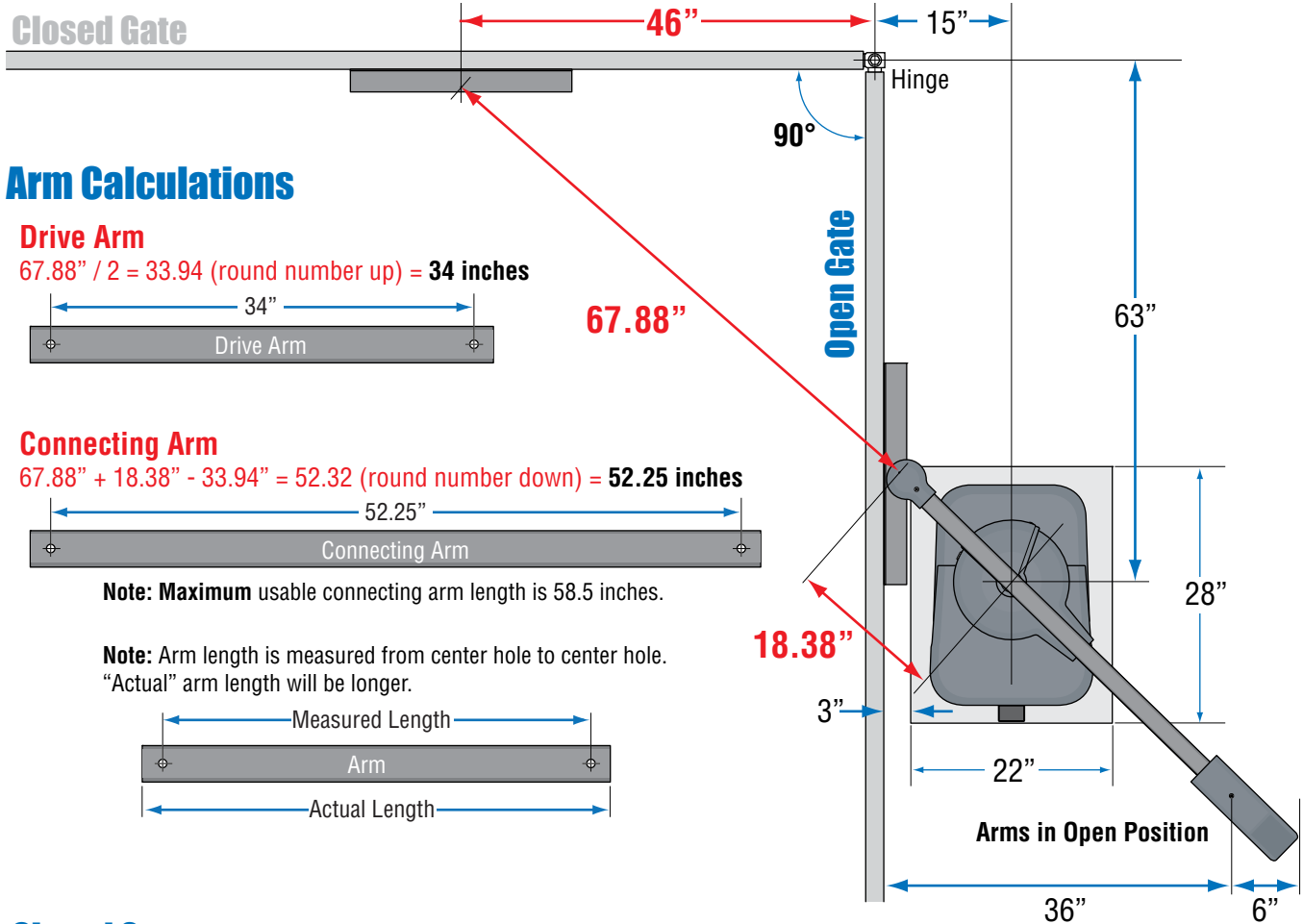
Note: Maximum usable connecting arm length is 58.5 inches.

Note: Arm length is measured from center hole to center hole. "Actual" arm length will be longer.



Closed Gate

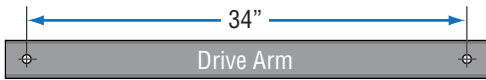
46" Gate Attachment Point - Gates up to 22 Ft.



Arm Calculations

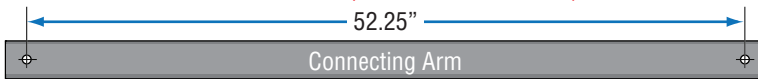
Drive Arm

$67.88" / 2 = 33.94$ (round number up) = **34 inches**



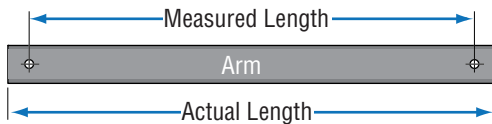
Connecting Arm

$67.88" + 18.38" - 33.94" = 52.32$ (round number down) = **52.25 inches**

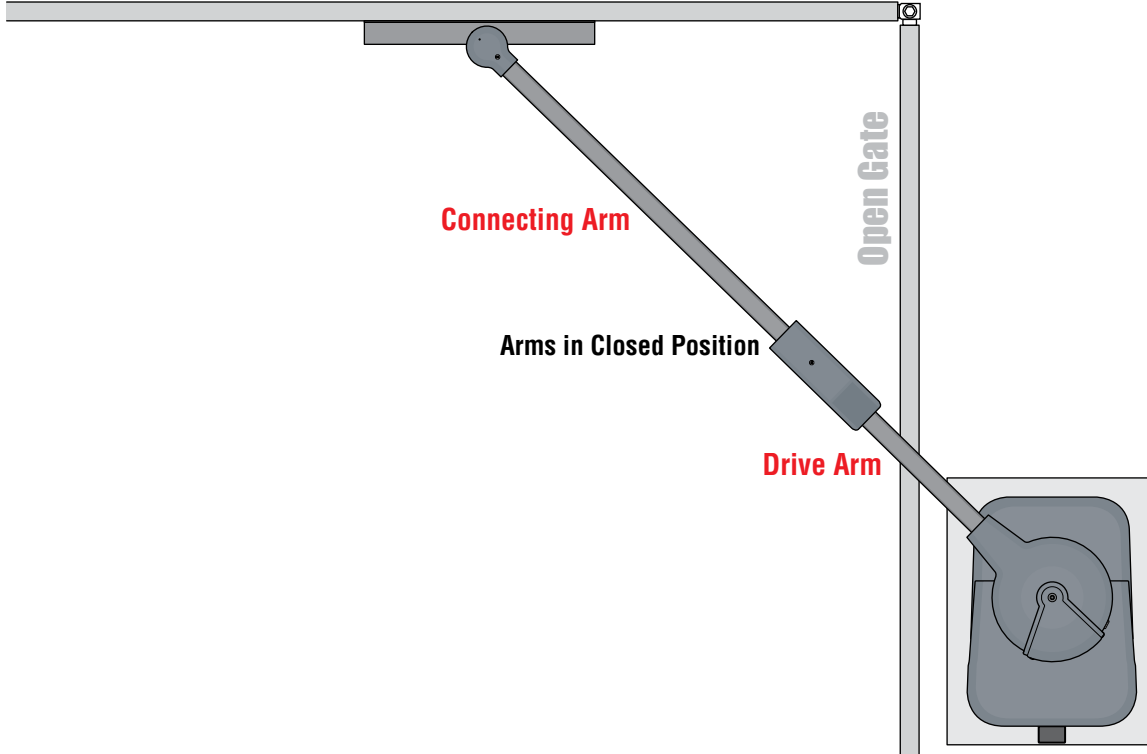


Note: Maximum usable connecting arm length is 58.5 inches.

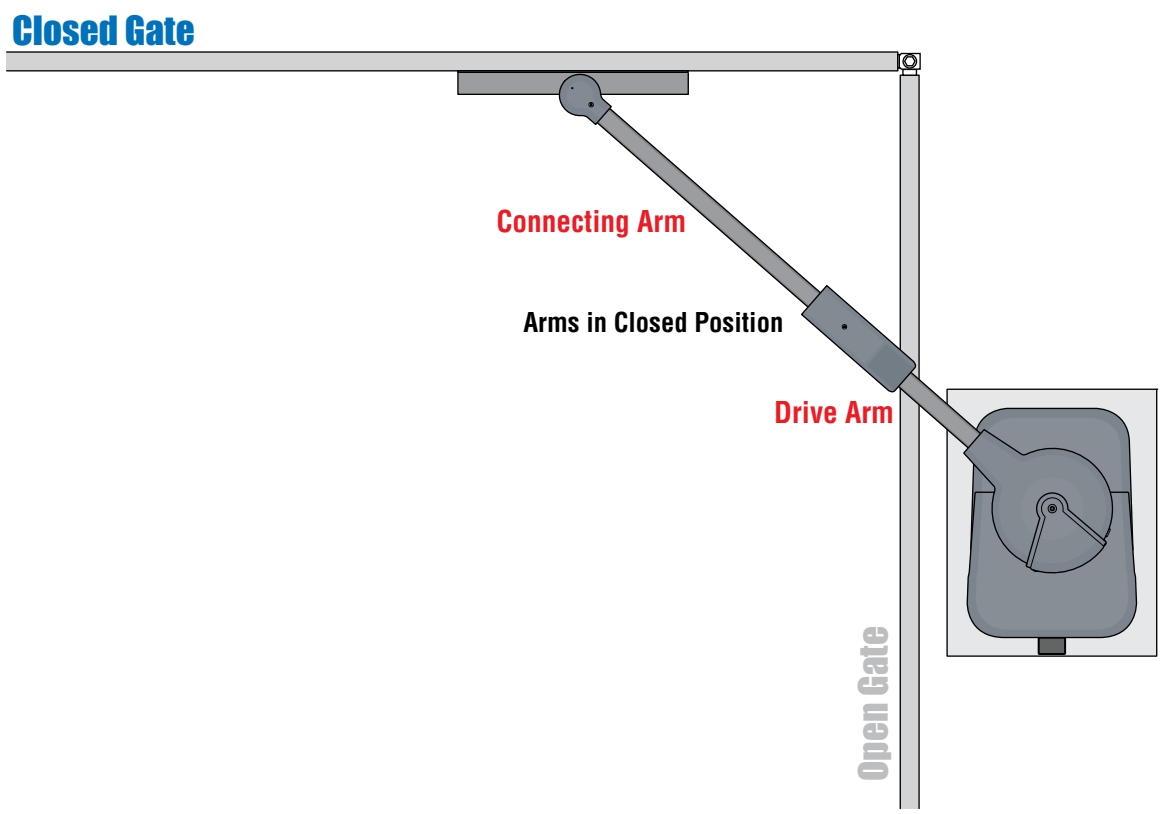
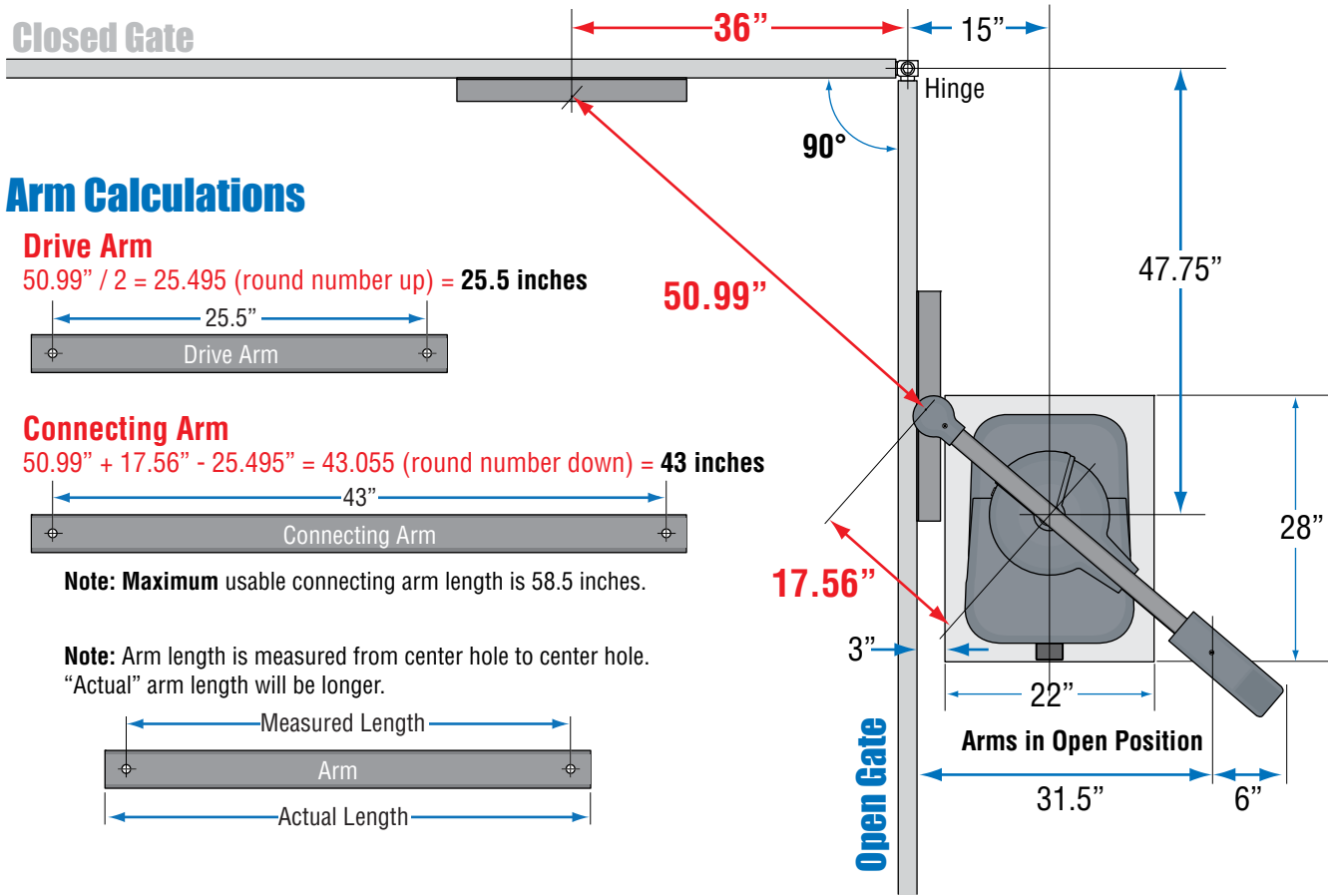
Note: Arm length is measured from center hole to center hole. "Actual" arm length will be longer.



Closed Gate



36" Gate Attachment Point - Gates up to 14 Ft.



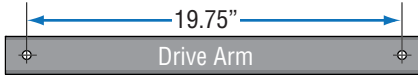
28" Gate Attachment Point - Gates up to 8 Ft.

Closed Gate

Arm Calculations

Drive Arm

$$39.7" / 2 = 19.85 \text{ (round number down) } = 19.75 \text{ inches}$$



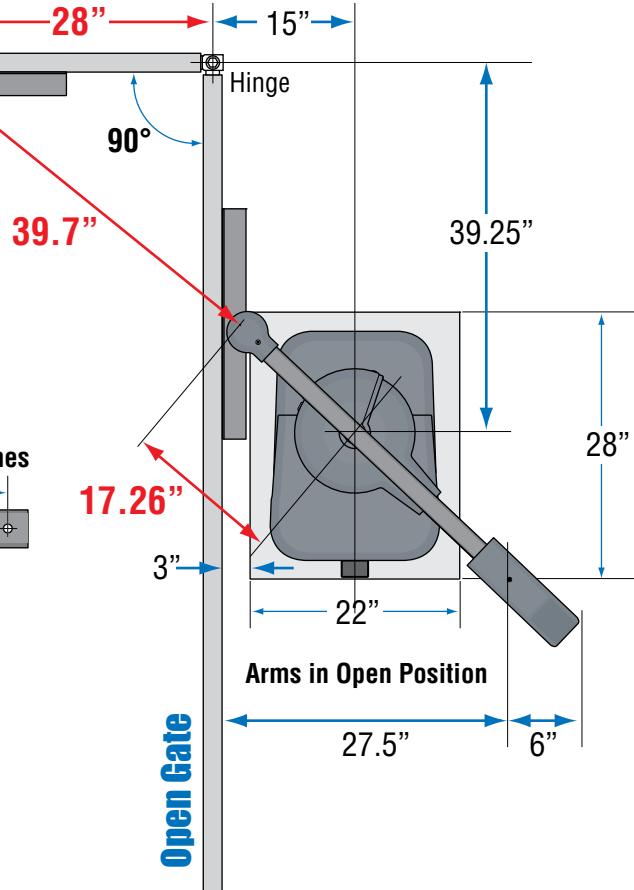
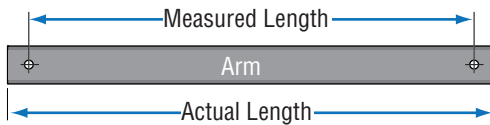
Connecting Arm

$$39.7" + 17.26" - 19.85" = 37.11 \text{ (round number down) } = 37 \text{ inches}$$



Note: Maximum usable connecting arm length is 58.5 inches.

Note: Arm length is measured from center hole to center hole. "Actual" arm length will be longer.



Closed Gate

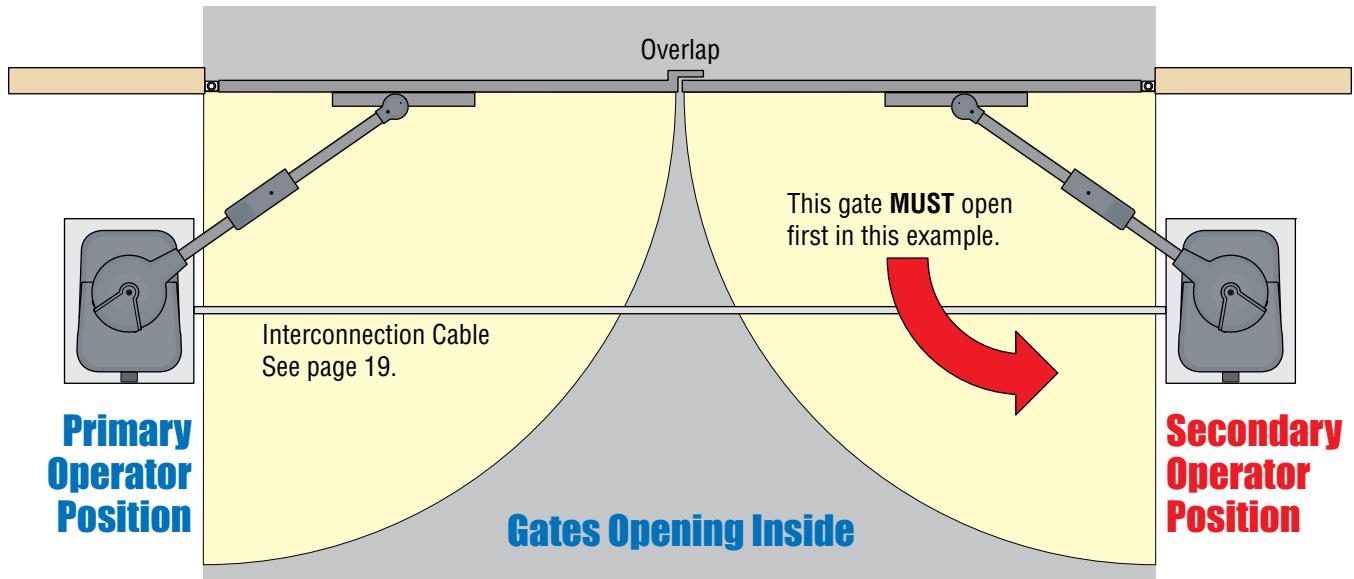
Connecting Arm
Arms in Closed Position
Drive Arm

Open Gate

1.4 Overlapping Bi-Parting Gate Operator Positions

When installing overlapping gates (using a maglock to secure gates in the center or architectural overlapping design etc.), certain considerations must be taken into account or gates will **NOT** operate correctly.

The **SECONDARY** operator **OPENS** 1.5 secs **BEFORE** the **primary** operator (SW2, switch 1 - **ON**) to allow the secondary operator's gate to stay clear of the gate overlap. It is **VERY** important to install the **SECONDARY** operator on the gate that opens **FIRST** according to **YOUR** specific gate layout or gates will **NOT** operate correctly.



IMPORTANT

All loop detector, safety and access control devices are wired to the **PRIMARY** operator.
AC power is also wired to the **primary** operator **ONLY**.

IMPORTANT

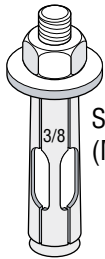
The **SECONDARY** operator **MUST** be installed on the gate that opens **FIRST**.

IMPORTANT

The distance **EACH** gate travels while cycling **MUST** be set the same (Limit sensors settings), otherwise the 1.5 second time delay may **NOT** allow the primary operator's gate **with the overlap** to **CLOSE BEFORE** the secondary operator's gate.

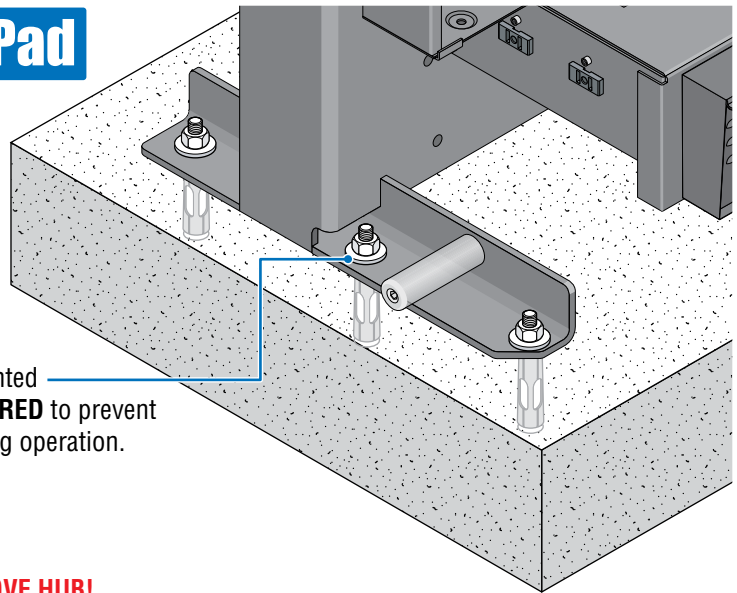
1.5 Securing Operator to Pad

Permanently attach the operator to the concrete pad using six (6) 3/8" x 3" sleeve anchors (not supplied).



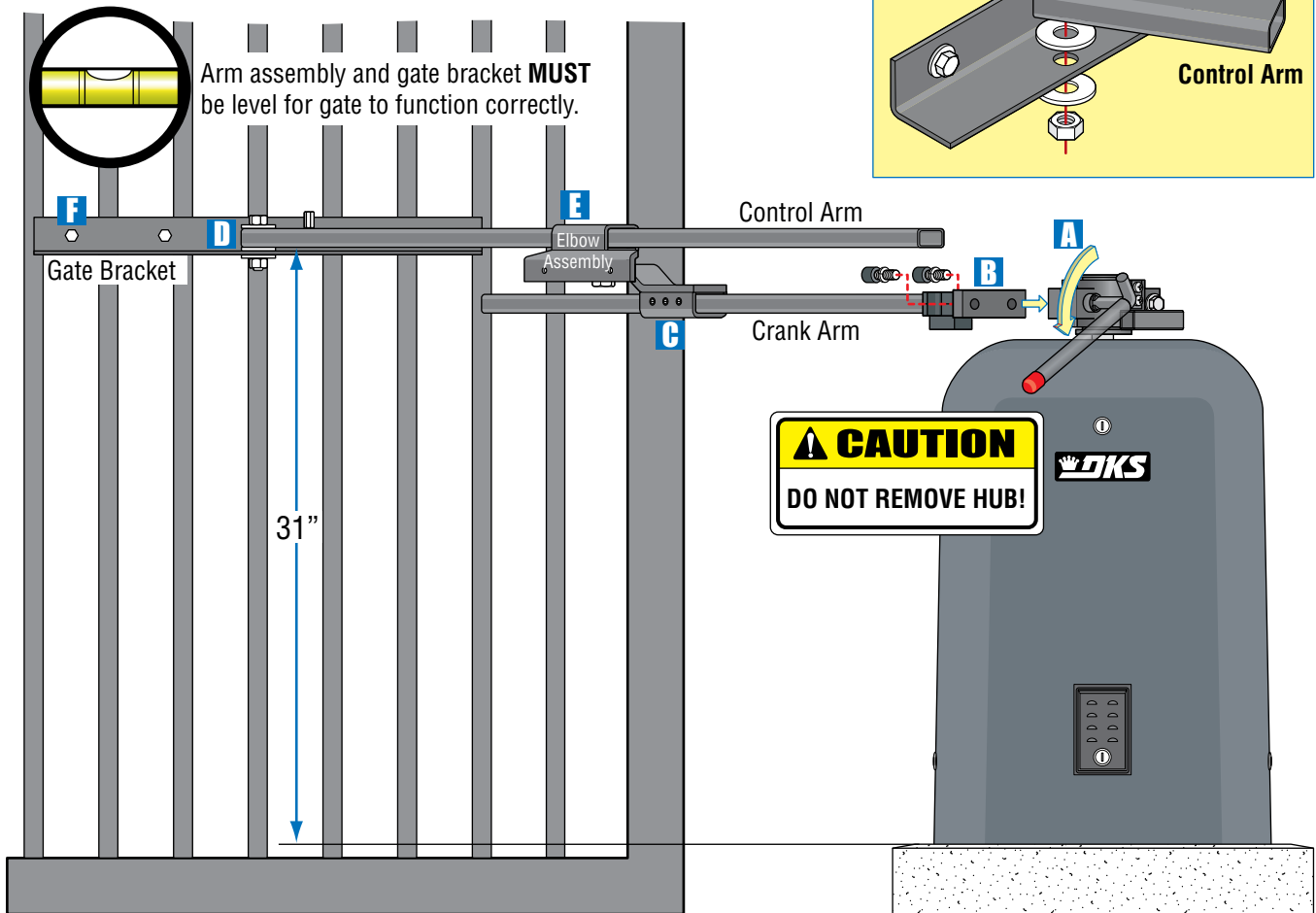
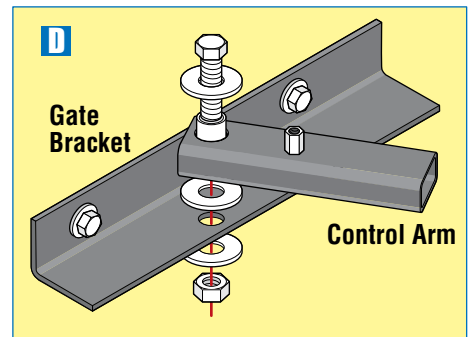
Sleeve Anchor
(Not supplied)

IMPORTANT: Center mounted sleeve anchors are **REQUIRED** to prevent chassis from flexing during operation.



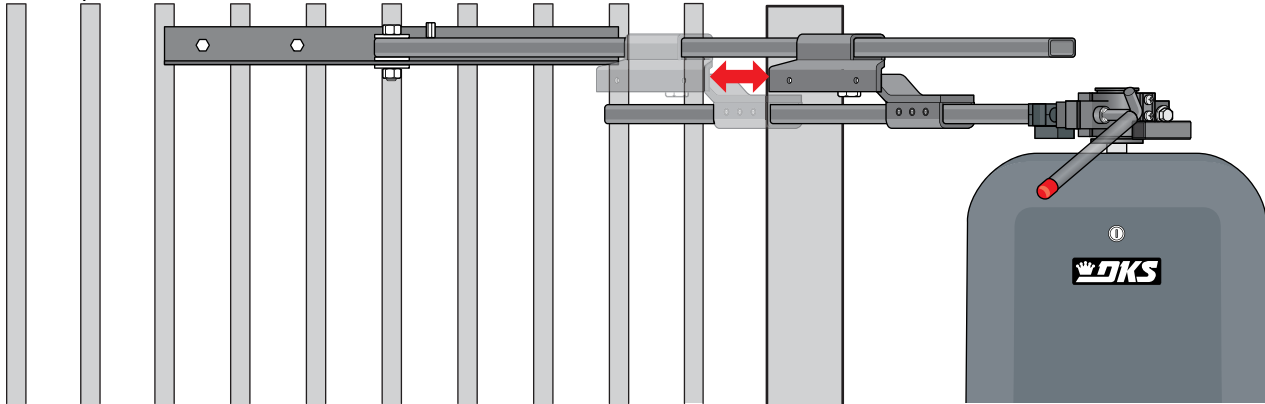
1.6 Attach Gate Bracket

- A** Release hub with release tool. **DO NOT REMOVE HUB!**
- B** Bolt crank arm to operator.
- C** Slide elbow assembly on crank arm.
- D** Bolt control arm to gate bracket.
- E** Slide control arm into elbow assembly. **KEEP ARM ASSEMBLY LEVEL.**
- F** Bolt gate bracket to gate.

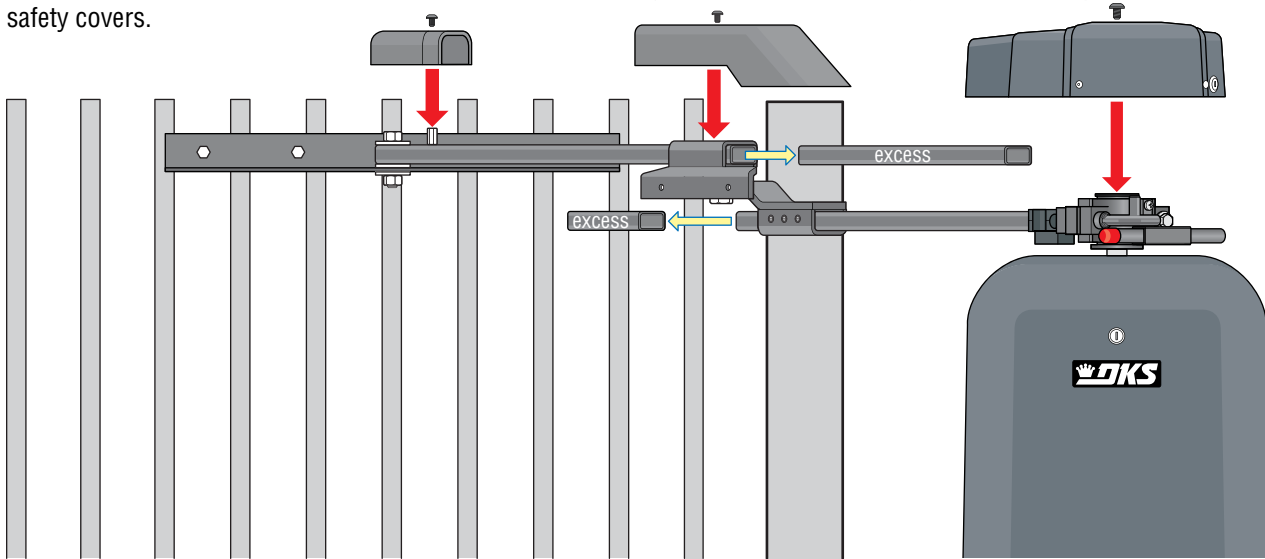


1.7 Determining Arm Lengths

Slide elbow assembly back and fourth, manually opening and closing gate until satisfied with the gate's 90° open and fully closed positions.



Mark and cut off excess arms. Secure arms to elbow assembly with 6 allen screws. Tighten hub and replace release tool. Install safety covers.



1.8 Installation of Warning Signs

This DoorKing Swing Gate Operator is shipped with two warning signs. The purpose of the warning sign is to alert uninformed persons, and to remind persons familiar with the gate system, that a possible hazard exists so that appropriate action can be taken to avoid the hazard or to reduce exposure to the hazard. See page 3 for suggested mounting positions of signs.

- Permanently install the supplied warning signs in locations so that the signs are visible by persons on both sides of the gate.
- Use appropriate hardware such as wood or sheet metal screws (not supplied) to install the warning signs.

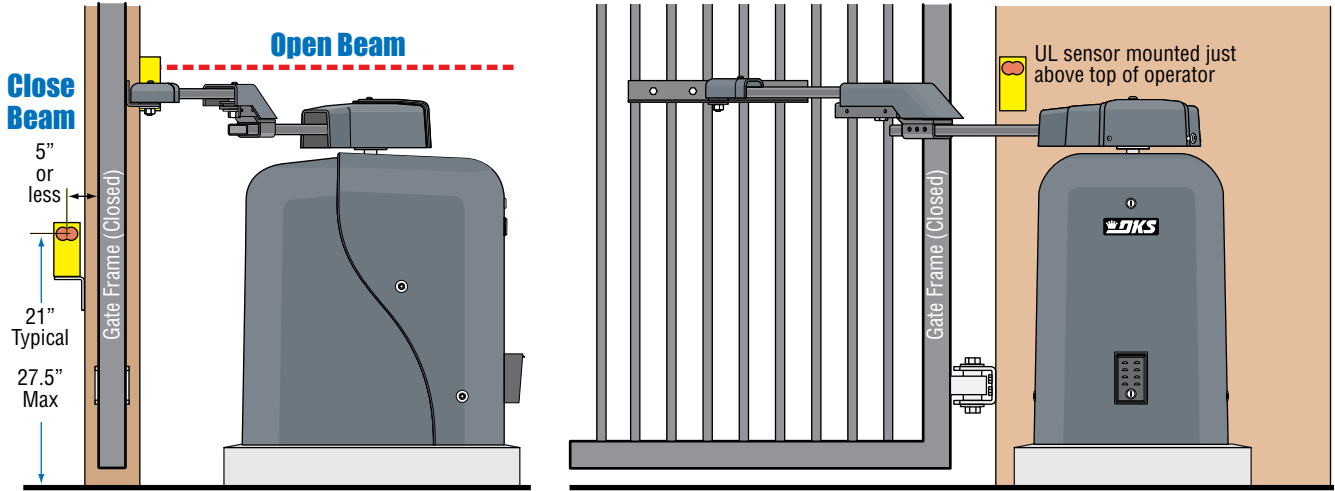


1.9 Entrapment Protection Installation

External Entrapment Protection Devices:

In addition to the inherent reversing sensor system, this operator has a 6-pin UL 325 terminal for the connection of **photo sensors**-Type B1 and/or **reversing edges**-Type B2 entrapment protection required by UL 325 standards. **Entrapment Protection must be provided for the gate system where the risk of entrapment or obstruction exists. The operator will not run without one or more monitored type B1 or B2 entrapment protection devices.** Install these devices where the risk of entrapment or a safety hazard exists while the gate is moving. Specific installations will vary.

Typical UL Photo Sensor mounting height and distance away from gate.

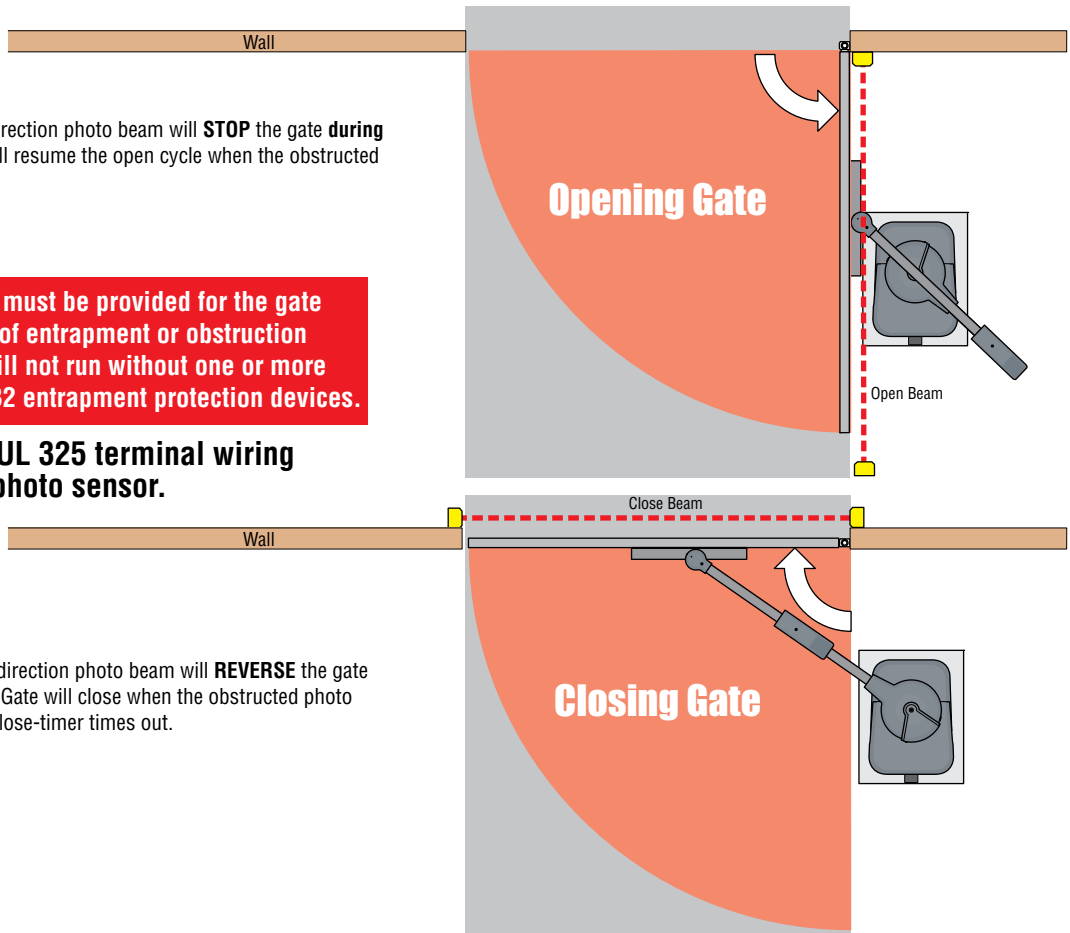


OPEN Beam: Obstructed open-direction photo beam will **STOP** the gate **during the open-direction only**. Gate will resume the open cycle when the obstructed photo beam has been cleared.

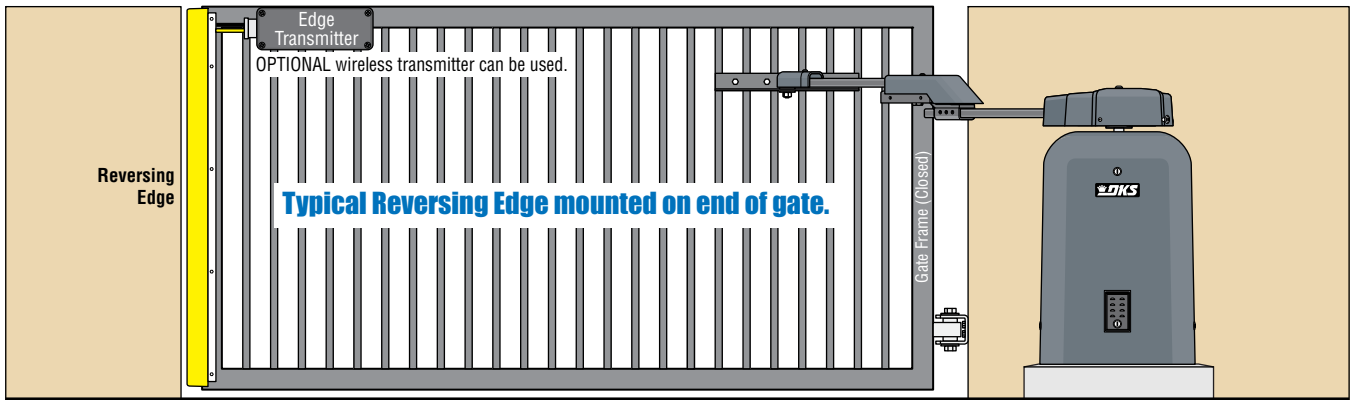
Entrapment Protection must be provided for the gate system where the risk of entrapment or obstruction exists. The operator will not run without one or more monitored type B1 or B2 entrapment protection devices.

See page 28 for UL 325 terminal wiring for a monitored photo sensor.

CLOSE Beam: Obstructed close-direction photo beam will **REVERSE** the gate **during the close-direction only**. Gate will close when the obstructed photo beam has been cleared and the close-timer times out.



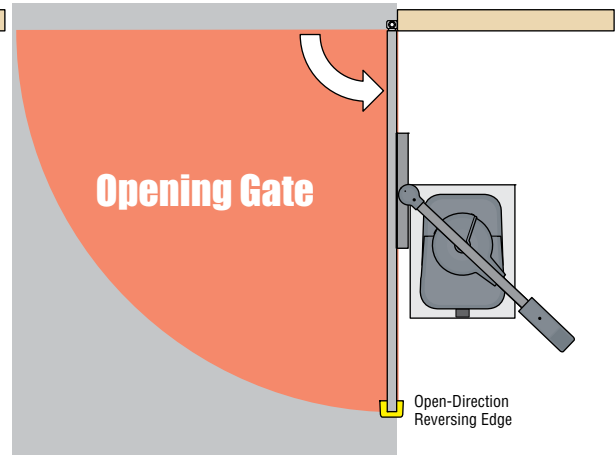
1.9 Continued



OPENING Reversing Edge: Obstructed open-direction reversing edge will **Reverse** the gate **2 inches** and **STOP**. Another input is needed to open the gate.

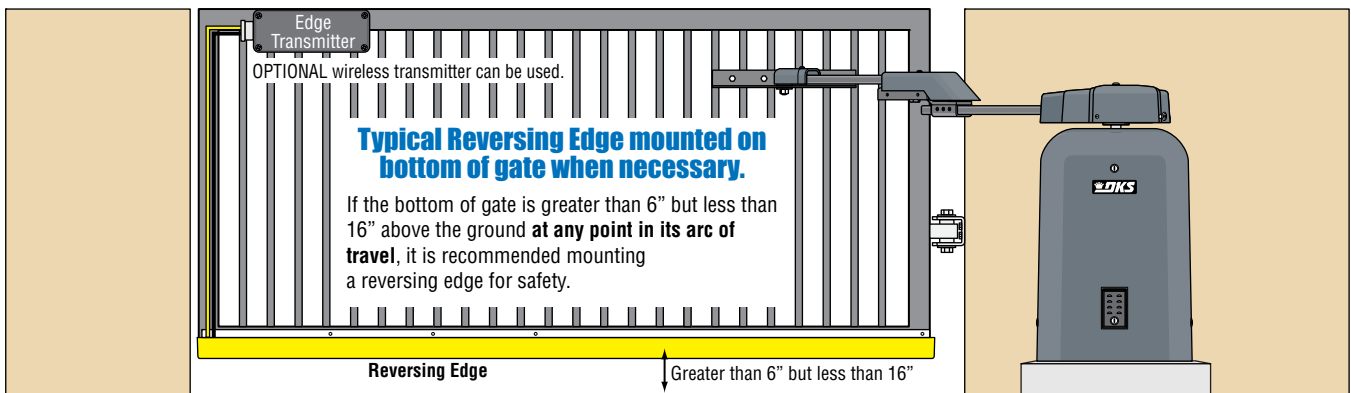
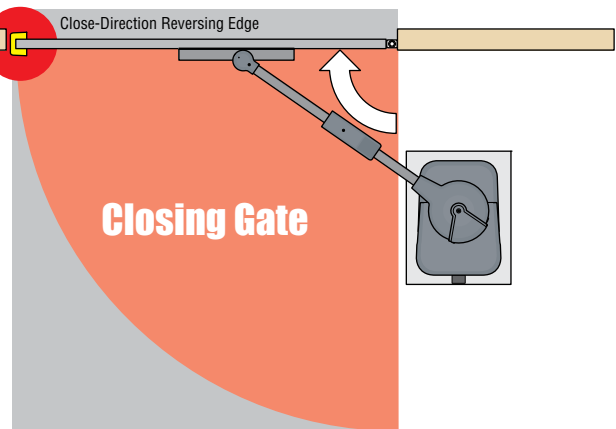
Entrapment Protection must be provided for the gate system where the risk of entrapment or obstruction exists. The operator will not run without one or more monitored type B1 or B2 entrapment protection devices.

See page 28 for UL 325 terminal wiring for a reversing edge.



CLOSING Reversing Edge: Obstructed close-direction reversing edge will **Reverse** the gate **back to the open position**. Another input is needed to close the gate.

Potential Entrapment Area



SECTION 2 - AC POWER TO OPERATOR(S)

Before attempting to connect any wiring to the operator, be sure that the circuit breaker in the electrical panel is in the OFF position. Permanent wiring must be installed to the operator as required by local electrical codes. It is recommended that a licensed electrical contractor perform this work.

Since building codes vary from city to city, we highly recommend that you check with your local building department prior to installing any permanent wiring to be sure that all wiring to the operator (both high and low voltage) complies with local code requirements.

THIS GATE OPERATOR MUST BE PROPERLY GROUNDED!!

2.1 High Voltage Wire Run

The distance shown in the chart is measured in Feet from the operator to the power source. If power wiring is greater than the maximum distance shown, it is recommended that a service feeder be installed. When large gauge wire is used, a separate junction box must be installed for the operator connection. The wire table is based on stranded copper wire. The wire run calculations are based on a power source with a 3% voltage drop on the power line, plus an additional 10% reduction in distance to allow for other losses in the system.

This table illustrates the high voltage AC power wire size and distance limitations for a single operator.

| Model Type | Voltage Required | Amps Required | Wire Size / Max Distance in Feet | | | |
|-------------|------------------|---------------|----------------------------------|--------|-------|-------|
| | | | 12 AWG | 10 AWG | 8 AWG | 6 AWG |
| 6500 1/2 HP | 115 | 5.4 | 180 | 290 | 485 | 725 |
| 6500 1 HP | 115 | 9.7 | 100 | 162 | 270 | 405 |

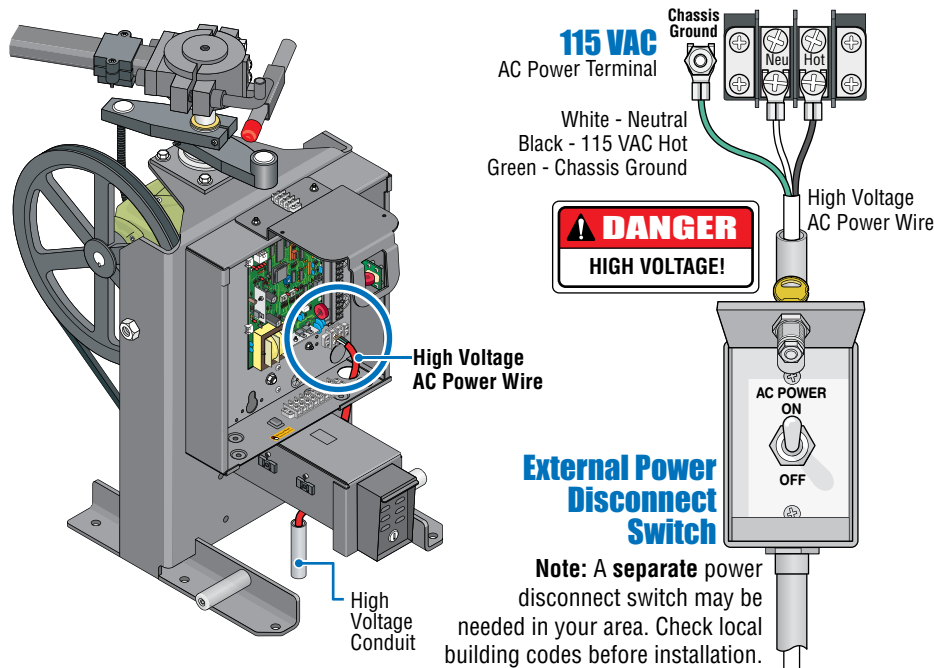
Reduce the wire distance in half for a primary/secondary dual gate operator application

Never run low voltage rated wire insulation in the same conduit as high voltage rated wire insulation.

“Optional” High Voltage Kit Installation Note: When installing a high voltage kit for 208/230/460/575 VAC input power, refer to the **“high voltage AC power wire size and distance limitations”** table on the instruction sheet with the high voltage kit (P/N 2600-266) for AC power wire run limitations.

“Optional” Heater Installation Note: When installing a heater, refer to the **“high voltage AC power wire size and distance limitations”** table on the instruction sheet with the heater kit for AC power wire run limitations.

2.2 High Voltage Terminal Connection



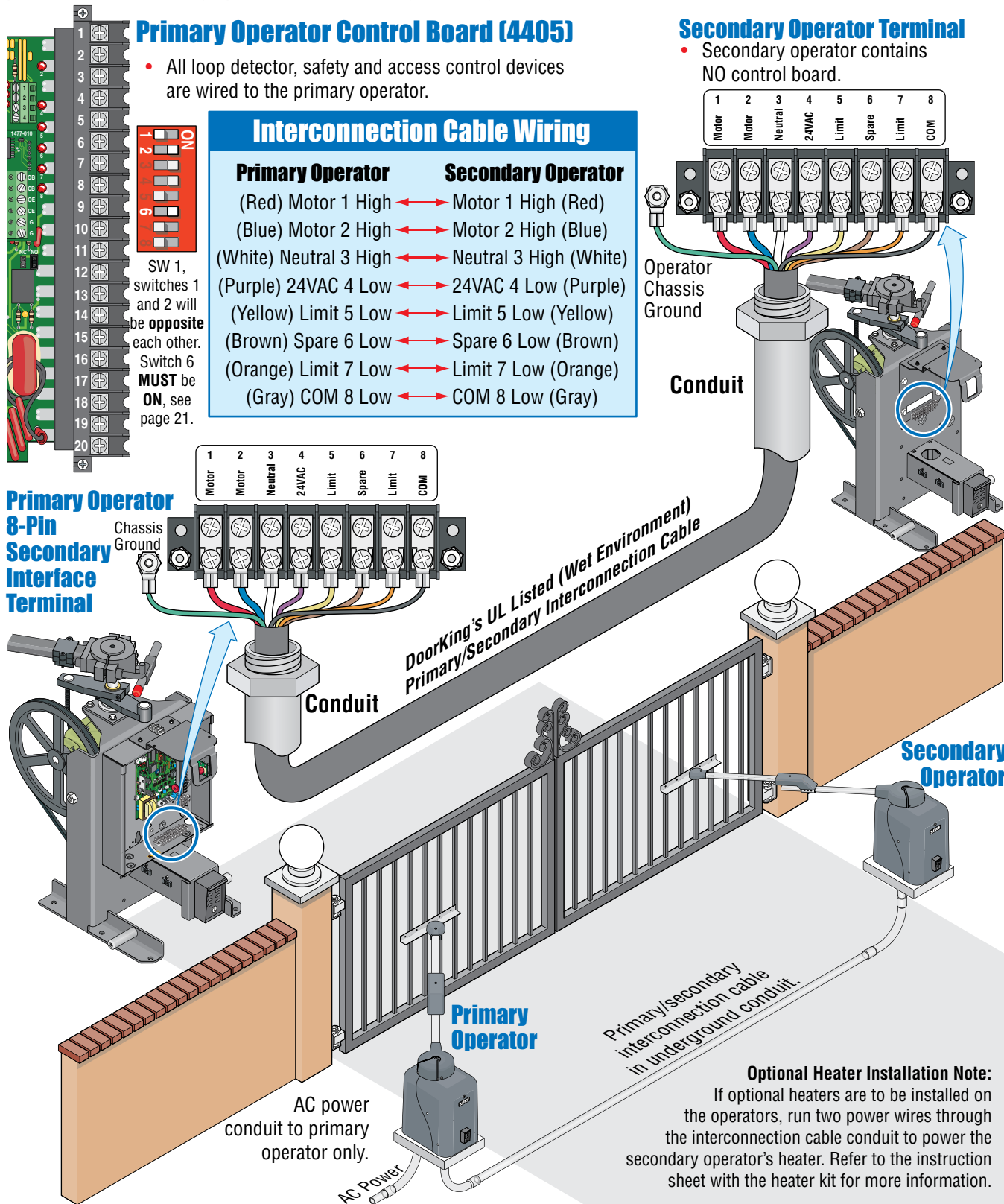
- Route incoming high voltage power through conduit and into the operator as shown.
- Be sure wiring is installed in accordance with local codes. Be sure to color code all wiring.
- It is recommended that a surge suppressor be installed on the high voltage power lines to help protect the operator and circuit board from surges and power fluctuations.
- Secondary operator in a dual operator application gets AC power through the 8-wire interconnection cable that connects the 2 operators together. See next page.

DO NOT cycle the operator without the OPEN and CLOSE limit sensors in their specific open and close positions. The limit sensors or the AC power switch are the only ways to STOP the operator once an open cycle has started. This could cause damage to the gate and/or operator if the gate opens too far!

EXTERNAL ENTRAPMENT PROTECTION DEVICES MUST be connected or the gate operator WILL NOT function.

2.3 Bi-Parting Gates Wiring - Dual Gate Operators

Connect the Primary/Secondary operators together with DoorKing's interconnection cable as shown (Different lengths sold separately P/N 2600-75x). High voltage power and low voltage communications are supplied to the secondary operator by DoorKing's UL approved cable that is run in a single conduit. Two conduits (High voltage and low voltage) will need to be provided to the secondary operator when NOT using DoorKing's UL listed, wet environment interconnection cable.



SECTION 3 - ADJUSTMENTS

The switch settings and adjustments in this chapter should be made after your installation and wiring to the operator(s) is complete. **Whenever any of the programming switches on the circuit board are changed, power must be shut-off, and then turned back on for the new setting to take effect.**

3.1 4405 Circuit Board Descriptions and Adjustments

DIP-Switches

Set the DIP-switches on the circuit board to the desired setting. See switch-settings on next 2 pages.

SW 1
SW 2

Auto-Close Timer

Auto-close timer (when turned on) SW 1, switch 4.

SW 1

Time Delay:

Adjust from 1 second (full counter-clockwise) to approximately 23 seconds (full clockwise).

1 23

How LEDs Function

Illuminated LEDs Indicates that low voltage power is being applied to the circuit board.

Input LEDs should be OFF and will only illuminate when the input is activated.

Limit LEDs will only illuminate when the respective limit sensor has been activated.

Loop LEDs will only illuminate when a reverse, shadow or exit loop is activated (Vehicle passing over a loop).

9410 Single Channel

Limit Sensors Plug P2

EXIT Loop Port

EXIT Loop Terminal

See page 29.

9409 Dual Channel

Limit LEDs

Power LED

Loop LEDs

REVERSE Loop Port

REVERSE Loop Terminals

6-Pin UL 325 Removable Terminal and 4 DIP-Switches

See pages 16,17, 28.

Dry Relay Contact

Terminals 10-11 can be set for Normally Open (NO) or Normally Closed (NC) operation by placing the relay shorting bar on the N.O. or N.C. pins respectively. (Standard shadow loop function, NO)

Inherent Reverse Sensors

Adjust reversing sensitivity for the open AND close direction of the PRIMARY (single) and SECONDARY (dual) operators. See page 24.

Primary Current Sensor

Uses a sensing coil with a given number of wire turns through it to monitor the current flow of the primary operator motor.

Factory Set:
1/2 HP Motor - 2 Turns
1 HP Motor - 1 Turn

Secondary Current Sensor

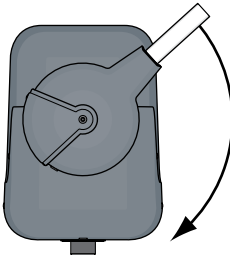
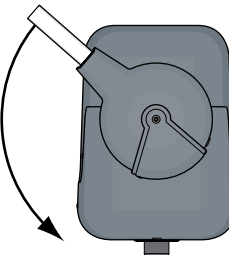
Uses a sensing coil with a given number of wire turns through it to monitor the current flow of the secondary gate operator motor.

Factory Set:
1/2 HP Motor - 2 Turns
1 HP Motor - 1 Turn

See page 25.

3.2 DIP-Switch Settings for 4405 Circuit Board

The two DIP-switches located on the circuit board are used to program the operator to operate in various modes and to turn on or off various operating features. Whenever a switch setting is changed, power to the operator must be turned OFF and then turned back on for the new setting to take affect. Check and review ALL switch settings prior to applying power to the operator.

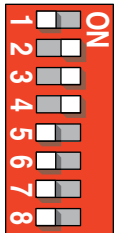
| SW 1 (Top 8 Switches) | | | |
|-----------------------|--|---|--|
| Switch | Function | Setting | Description |
| 1 | Primary 6500 Changes Gate Opening Direction | Opens Clockwise |  ON  OFF |
| 2 | Secondary 6500 Changes Gate Opening Direction | Same as above, for secondary 6500 ONLY . | |
| 3 | Exit Loop Port Output | OFF | The output wired to terminal #4 becomes the output from the exit loop detector plugged into the EXIT Loop port. |
| | Full Open Input | ON | Normal Setting. Terminal #4 is a normal full open input. |
| 4 | Auto-Close Timer | OFF | Auto-close timer is OFF. Manual input required to close gate. |
| | | ON | Normal Setting. Auto-close timer is ON. Adjustable from 1-23 seconds. |
| 5 | Reverses Gate | OFF | Normal Setting. Input to terminal #6 and reverse loop will stop and reverse gate to the full open position during the close cycle ONLY . |
| | External Shadow Loop Detector | ON | Input to terminal #6 becomes a SHADOW loop input. It is only active when the gate is fully opened. (Shadow loop setting when external loop detector is used) |
| 6 | Single Operator | OFF | Normal Setting. Switch must be OFF for single operator. |
| | Dual Operators | ON | Switch must be ON when primary/secondary (dual) gates are used. |
| 7 and 8 | Circuit Board Relay | 7-OFF 8-OFF | Normal Setting. Relay activates when gate is at open limit. (Shadow loop setting when DoorKing Plug-In loop detector is used) |
| | | 7-OFF 8-ON | Relay activates when gate is not closed. |
| | | 7-ON 8-OFF | Relay activates when gate is opening and open. |
| | | 7-ON 8-ON | Relay activates during opening and closing cycle. |

See next page for switch definitions and typical settings.

| SW 2 (Bottom 4 Switches) | | | |
|--------------------------|---------------|---------|--|
| Switch | Function | Setting | Description |
| 1 | Gate Overlap | OFF | Primary and secondary operators start at the same time (Normal setting for single gate operator). |
| | | ON | The secondary operator will start 1.5 sec. before primary operator during open cycle and the primary operator will start 1.5 sec. before the secondary operator during the close cycle (Normal setting for bi-parting gate operators). |
| 2 | Magnetic lock | OFF | Normal Setting. Magnetic lock is not used. |
| | | ON | Magnetic lock is used and connected to terminals 9 and 12. See page 27 for wiring. |
| 3 | | OFF | Normal Setting. Switch 3 MUST be turned OFF for Model 6500 operator. |
| 4 | | OFF | Normal Setting. Switch 4 MUST be turned OFF for Model 6500 operator. |

3.2 Continued

Switch Definitions



SW 1 (Top 8 Switches)

Typical Settings

Switch 1 Must **OPEN** the primary operator's gate upon initial AC power up and open command. If the **FIRST** open command begins to close the gate, turn AC power off and reverse this switch.

Switch 2 Must **OPEN** the secondary operator's gate upon initial AC power up and open command. If the **FIRST** open command begins to close the gate, turn AC power off and reverse this switch. This switch will be set the opposite of switch 1 (e.g. If switch 1 is OFF, then switch 2 will be ON).

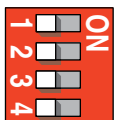
Switch 3 Determines that a device wired to terminal #4 is a normal full open command **OR** terminal #4 becomes the output from the exit loop detector that is plugged into the EXIT Loop port in the circuit board (Used for specialized functions).

Switch 4 Turns the auto-close timer on or off. Maximum time that the close timer can be set for is approximately 23 seconds.

Switch 5 **OFF** setting is Standard Reverse for a **CLOSING** gate. An input to terminal #6 (e.g.: photo beam gets obstructed) **AND/OR** reverse loops will stop and **reverse** the gate back to the full open position. If the auto-close timer is ON, when gate reaches the open position, timer **will not** close the gate. Another input command is needed to reset and close the gate. **ON** setting allows an input to terminal #6 (e.g.: external loop detector only) to become a SHADOW loop input. It is only active when the gate is in the fully opened position.

Switch 6 Sets up the circuit board for a single gate operator or primary / secondary (dual) gate operators.

Switches 7-8 These work in conjunction with each other and determine when the relay on the board will be activated. This relay can be used as a switch for various functions such as illuminating a warning light when the gate is moving, or turning on a green light when the gate is full open. **This relay is not available for these uses if it is being used for the DoorKing Plug-In shadow loop function.**



SW 2 (Bottom 4 Switches)

Typical Settings

Switch 1 When the gate overlap is **OFF**, the gate operator(s) will start the open and close cycles at the **same time**. This is the normal setting for a **single** gate operator.

Turning the gate overlap **ON** when using dual gate operators will cause the secondary operator to start the **open** cycle 1.5 seconds **before** the primary operator. The primary operator will start the **close** cycle 1.5 seconds **before** the secondary operator.

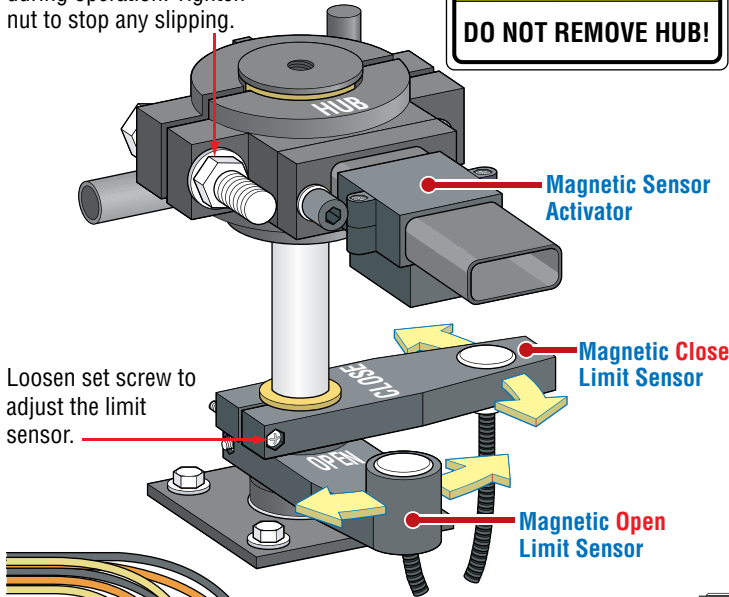
Switch 2 If a magnetic lock is not used with the gate operator, leave this switch in the OFF position. Turn this switch ON if a magnetic lock is used and connected to terminals 9 and 12. This applies magnetic lock power and logic to these terminals (NC).

Switch 3 MUST be turned OFF for the Model 6500.

Switch 4 MUST be turned OFF for the Model 6500.

3.3 Limit Sensors

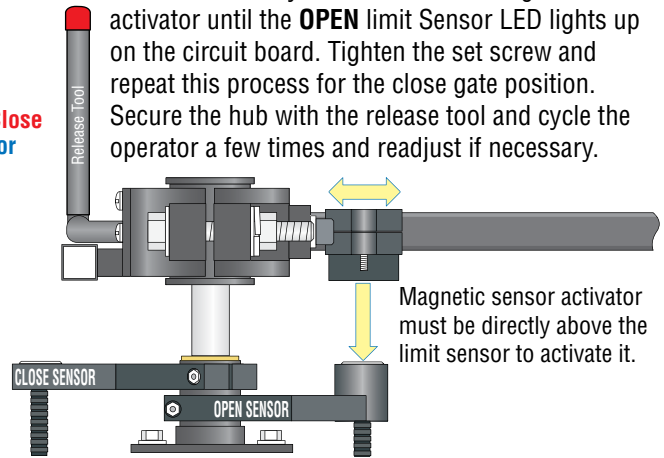
The hub **must not slip** during operation. Tighten nut to stop any slipping.



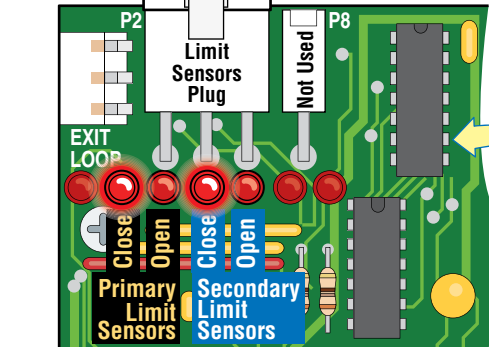
Important Limit Sensor Adjustment Note:

It is very important **NOT** to cycle the gate operator before the limit sensors are in the correct position or it could cause damage to the gate and operator.

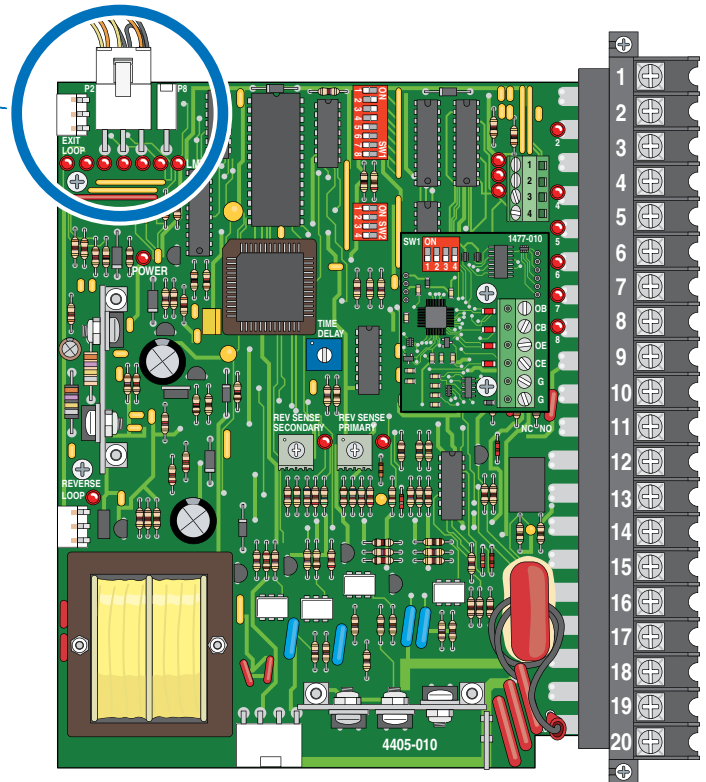
ONLY turn **ON AC power**. Manually release the gate operator hub with the release tool (See page 33). Physically move the gate to the desired open position. Loosen the set screw on the **OPEN** limit sensor and slowly slide it under the magnetic sensor activator until the **OPEN** limit Sensor LED lights up on the circuit board. Tighten the set screw and repeat this process for the close gate position. Secure the hub with the release tool and cycle the operator a few times and readjust if necessary.



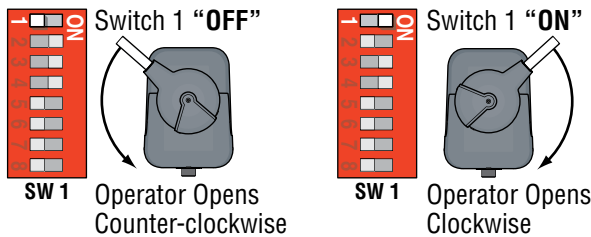
Note: If P2 plug is not connected to the circuit board and AC power is turned on, alarm will sound and operator will NOT function.



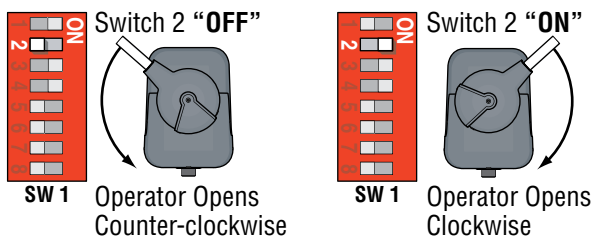
Limit Sensor LEDs



PRIMARY Operator DIP Switch OPENING Direction



SECONDARY Operator DIP Switch OPENING Direction



Dual Gate Operators Note: SW 1, switch 2 will be set the opposite of SW 1, switch 1 (e.g. If switch 1 is OFF, then switch 2 will be ON).

3.4 Inherent Reverse Sensors Adjustment

This vehicular gate operator is equipped with an inherent adjustable reversing sensor (Type A) used as entrapment protection according to UL 325 standards. **The gate will reverse direction after “physically” encountering an obstruction in either the opening or closing gate cycle.**

If the Auto-Close Timer (DIP-switch SW 1, switch 4) is ON and the gate physically encounters an obstruction during the **CLOSING** cycle, it will reverse to the open position and **HOLD** the gate at this position (Soft shutdown condition). Another input command is needed before the gate will reset and close again.

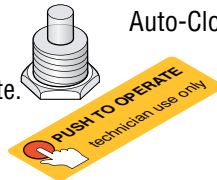
For the reverse sensors to function correctly, **THE HUB MUST NOT SLIP** when the gate encounters an obstruction. The gate must be properly installed and work freely in both directions. A good set of roller bearing hinges is essential for proper swing gate operation.

For the reverse system to function correctly, the gate must be properly installed and work freely in both directions and **the limit sensors must be properly adjusted BEFORE adjusting the reverse sensors.** The ideal adjustment will allow the operator to move the gate through its entire travel cycle without reversing, but will reverse upon contact with an obstruction with no more than 40 Lbs of force. This force can be measured with a gate scale.

CAUTION: Keep pedestrians and vehicles clear of the gate while adjusting and testing sensors!

Note: “Push to Operate” button will use the Auto-Close timer if turned ON (SW 1, switch 4 ON).

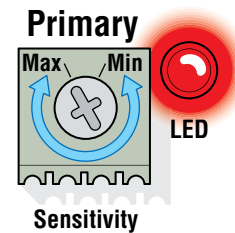
- 1 Press the “Push to Operate” button to **OPEN** the gate.



Note: The LED will turn on briefly when AC power is turned on.

- 2 While gate is opening, slowly rotate the primary reverse sensor clockwise until the LED lights up and the gate reverses direction. Rotate the primary reverse sensor back counter-clockwise approximately 1/8 turn to decrease the sensitivity (LED will turn off).

Note: The LED will light up during the first seconds of gate travel. Wait until it turns off before adjusting the reverse sensor.



- 3 Press the “Push to Operate” button and **CLOSE** the gate. Make sure the gate closes completely. If it reverses and opens (LED will turn on), rotate the primary reverse sensor counter-clockwise a little more to decrease the reverse sensitivity (LED will turn off).



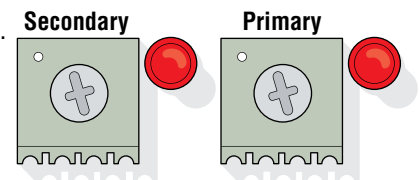
Cycle the gate a few times to be sure that it cycles completely in both directions, adjusting the primary sensor as necessary.

Safety Note: The LED will remain ON after a cycling gate gets obstructed during normal operation to indicate that the reverse sensor has been tripped. Always check the gate area for possible obstructions before putting operator back in service.

Dual Operators:

Adjust reverse sensors for each operator when dual operators have been installed.

Note: If the minimum or maximum reverse sensor sensitivity adjustment is reached and the **Secondary Operator** will not reverse properly, the Secondary Operator Current Sensor's wire turns will have to be altered. See 3.5 Secondary Current Sensor Adjustment on the next page.



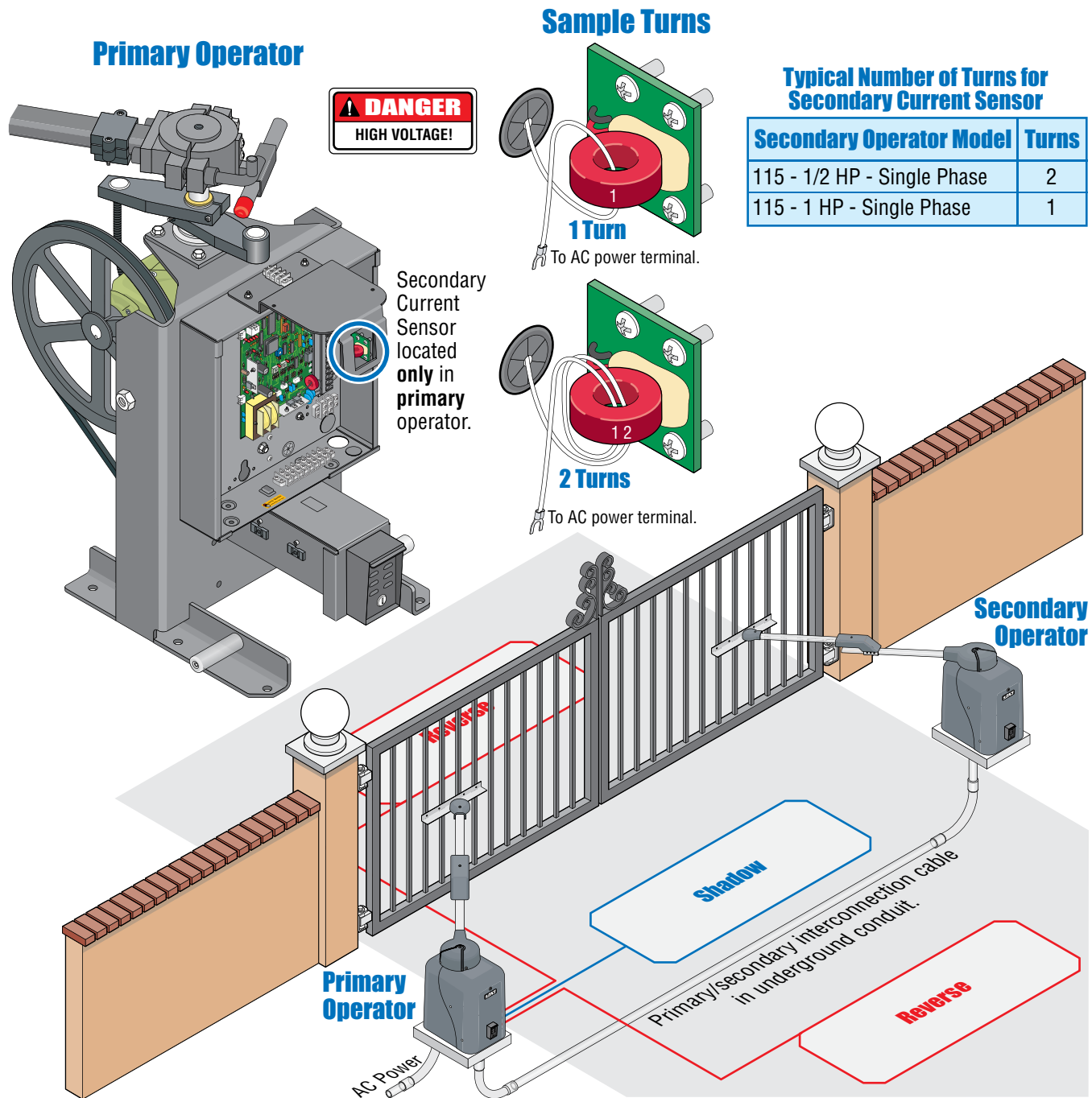
Test the operator reversing sensitivity:

Place an immobile object along the gate path, allowing the gate to strike it while in the **open** and **close** cycles. The gate must reverse direction after striking the object. If it does not, increase the reverse sensitivity and repeat this testing until the correct sensitivity has been achieved in **BOTH** directions. The operator will assume a soft shutdown (Hold the auto-close timer) after striking and reversing the gate which will require pressing the “Push to Operate” button to cycle the operator again.

3.5 Secondary Current Sensor Adjustment (Dual Gates ONLY)

The **PRIMARY** gate operator's "secondary reversing sensor" uses a secondary current sensing device (Located only in the primary operator) to detect any obstructions "physically" encountered in the SECONDARY gate path when using dual gates.

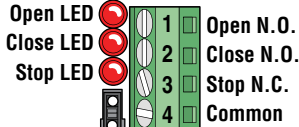
The secondary current sensor uses a sensing coil with a given number of turns through it to monitor the current flow into the secondary operator. Each time the wire passes through the coil, it is considered a turn. The number of turns through the sensing coil is dependant on the operating voltage of the operator and the weight of the gate. In general, light weight gates may require additional turns of wire through the secondary current sensor, while heavier gates may require less turns. **CAUTION – HIGH VOLTAGE:** Be sure power is turned OFF before changing the number of wire turns to the secondary current sensor. When you are setting the secondary reverse sensor (section 3.4 on the previous page) and reach the **MAXIMUM sensitivity** position on the reverse sensor without activating the secondary operator reversing function, add an additional turn of wire through the secondary current sensor. If you set the secondary reverse sensor to the **MINIMUM sensitivity** position and the gate will not cycle completely, reduce the number of turns through the secondary current sensor.



SECTION 4 - WIRING

4.1 Main Terminal Description

4-Pin Non-Removable Terminal



Jumper on **bottom** 2 pins when using 4-pin terminal.

Jumper on **top** 2 pins when **NOT** using 4-pin terminal.

Notes:

- Use a standard 4-wire 3-button control station. DoorKing's 3-wire 3-button control station **cannot** be used.
- When using a 3-button control station **AND** an interlock device together, #3 terminal (N.C.) must be wired in series.
- See next page for wiring.

- If SW 1, **switch 3** is **ON**, functions as a normal full open input (Normal setting).
- If SW 1, **switch 3** is **OFF**, input to terminal #4 becomes the output from the EXIT loop detector plugged into the EXIT loop port. (Used for specialized functions).



- When gate is closed, input will open gate.
- When gate is open and auto close timer SW 1, switch 4 is turned **ON**, input will re-set and hold timer.
- When gate is open and auto close timer SW 1, switch 4 is turned **OFF**, input will close gate.
- When gate is closing, input will reverse gate.

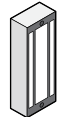


This input **ONLY** functions when gate is **fully opened** or in the **closing cycle**.

- When gate is closing: SW 1, **switch 5** is **OFF**, an input to terminal #6 (e.g.: photo beam gets obstructed) will stop and **reverse** and the gate to the full open position.
- Note:** If the auto-close timer is **ON**, when gate reaches the open position, timer **will not** close the gate. Another input command is needed to reset and close the gate (Normal Setting).
- SW 1, **switch 5 ON**, an input to terminal #6 (e.g.: external loop detector connected) becomes a SHADOW loop input. It is only active when the gate is fully opened.



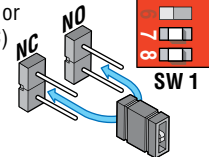
24-volt DC magnetic lock power is provided constantly except when the gate is **opening** or **open** (Normally Closed function). 1 Amp Max.



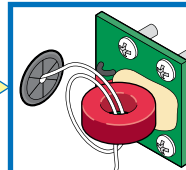
Operation of the circuit board dry relay contact is dependent on setting of SW 1, **switches 7 and 8**. **Relay contacts** can be set for Normally Open (NO) or Normally Closed (NC) operation.

Contact rating is **1 amp maximum** at 24-volts DC.

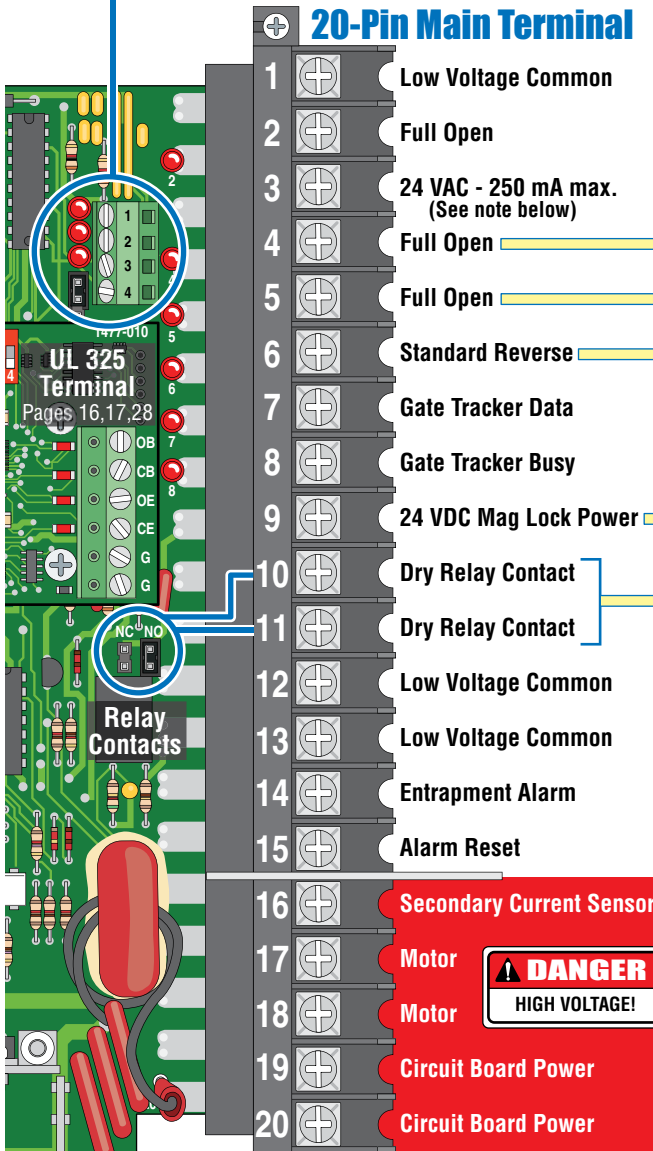
Relay **Not Available** when using DoorKing plug-In shadow loop detector.



For dual operator applications ONLY. Allows the secondary reversing sensor to monitor the current flow into the secondary operator. See page 25 for more information.



20-Pin Main Terminal



Terminal #3 Note:

Exceeding 250 mA of power from this terminal may cause the circuit board transformer to overheat, causing intermittent problems.



4.2 Control Wiring

4-Pin Non-Removable Terminal

3-Button Control Station
Use a standard 4-wire 3-button control station. DoorKing's 3-wire 3-button control station CANNOT be used.

3-Pin With Jumper

Place jumper on bottom 2 pins when using 4-pin terminal.

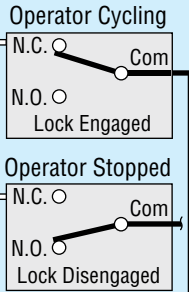
#1 Open N.O.

#2 Close N.O.

#3 Stop N.C.

#4 Com

Normally Closed Interlock Switch



Note: When using 3-button control station AND interlock switch together, #3 terminal (N.C.) must be wired in series.

To #3 Stop N.C.
To #4 Com

Orange to main terminal #3
Brown to main terminal #2
White to main terminal #1

3-Pin Remote Terminal

Power is limited to 250 mA

(2) Two 115 VAC Convenience Outlets

3-Wire Radio Receiver

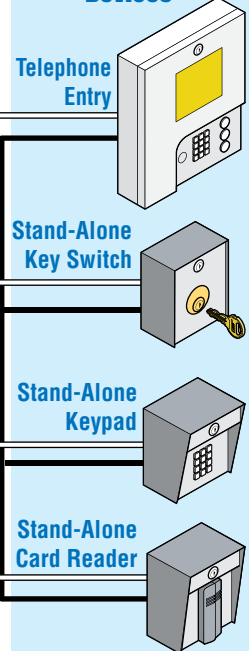
Important: Controls intended for user activation must be located at least six (6) feet away from any moving part of the gate and where the user is prevented from reaching over, under, around or through the gate to operate the controls. Emergency access controls only accessible by authorized personnel (e.g., fire, police, EMS) may be placed at any location in the line-of-sight of the gate.

#4 - Safety Opening Device



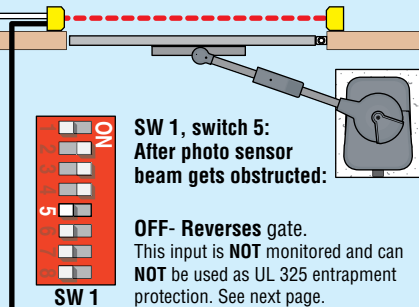
SW 1, switch 3 Must be ON.

#5 - Access Control Devices



Note: All stand-alone and telephone entry devices must use a separate power source.

Standard "REVERSE" Close Beam Photo Sensor

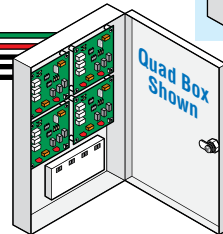


Magnetic Lock

Power (24-Volt DC) and logic output. Power is shut off .5 sec. prior to gate starting and remains off while gate is opening and in the open position.

SW 2, switch 2 ON.

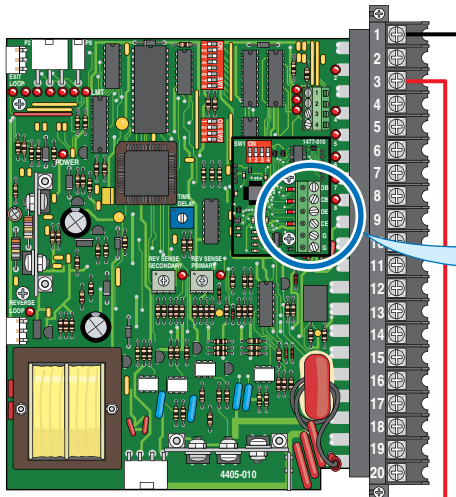
SW 2



Gate Tracker - DoorKing Access Control System (Model 1833, 1835, 1837 or 1838) tracker system can be connected. This system can keep track of gate operator cycle count, shorted inputs, loop detector problems, any forced entry attempts, if the gate has struck anything during the open or close cycle, power interruptions, etc. For more detailed information refer to the Tracker Installation and Wiring Manual, DoorKing P/N 2358-065.

Terminal #3 Note:
Exceeding 250 mA of power from this terminal may cause the circuit board transformer to overheat, causing intermittent problems.

4.3 Entrapment Protection Wiring

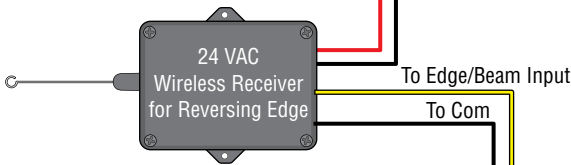
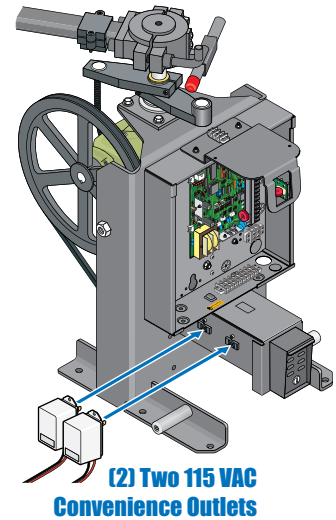


Main Terminal #3 Note:
Exceeding 250 mA of power from this terminal may cause the circuit board transformer to overheat, causing intermittent problems.

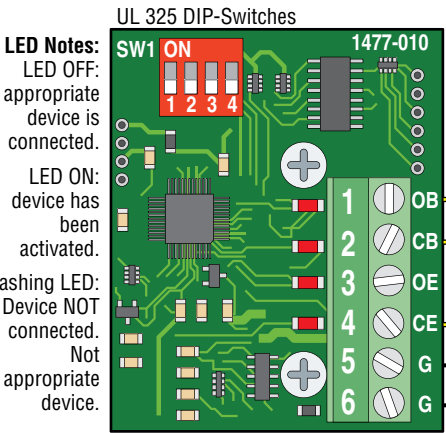
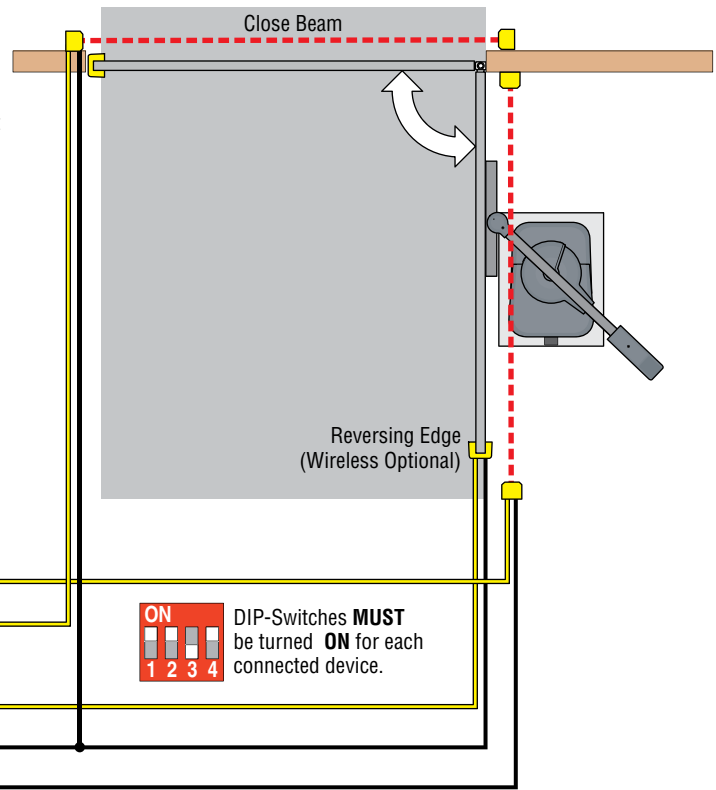
6-Pin UL 325 Terminal Entrapment Protection Device Connection

- | | | |
|---|----|------------------------------------|
| 1 | OB | OPEN Beam STOP (Switch 1) |
| 2 | CB | CLOSE Beam REVERSE (Switch 2) |
| 3 | OE | OPEN Edge/Beam REVERSE (Switch 3) |
| 4 | CE | CLOSE Edge/Beam REVERSE (Switch 4) |
| 5 | G | Ground (Common) |
| 6 | G | Ground (Common) |

Notes:
ONLY connect monitored devices.
The 6-pin terminal can be unplugged from circuit board for easy wire connections.



OPTIONAL Wireless Note: Refer to the instruction sheet that comes with the receiver/transmitter for more specific wiring and mounting instructions.



Monitored Device Note: Only 1 monitored Device can be connected to each input. An **OPTIONAL** Expansion Board (sold separately) will allow connection for additional devices.

Edge/Beam Inputs (3 & 4) Note:
Open/Close Edge/Beam inputs will activate in **EITHER** direction of gate travel.
When using dual operators: a edge/beam can be connected from the primary gate to #3 and the secondary gate's edge/beam can be connected to #4.

IMPORTANT: Photo sensors must use **Normally Closed (NC)** contacts with the beam set for light operate (relay activated when beam is not obstructed). Some manufacturer's photo sensor contacts are labeled as **Normally Open (NO)** but their relay functions the same way as described above. See specific manufacturer's wiring manual for more information about their specific relay function.

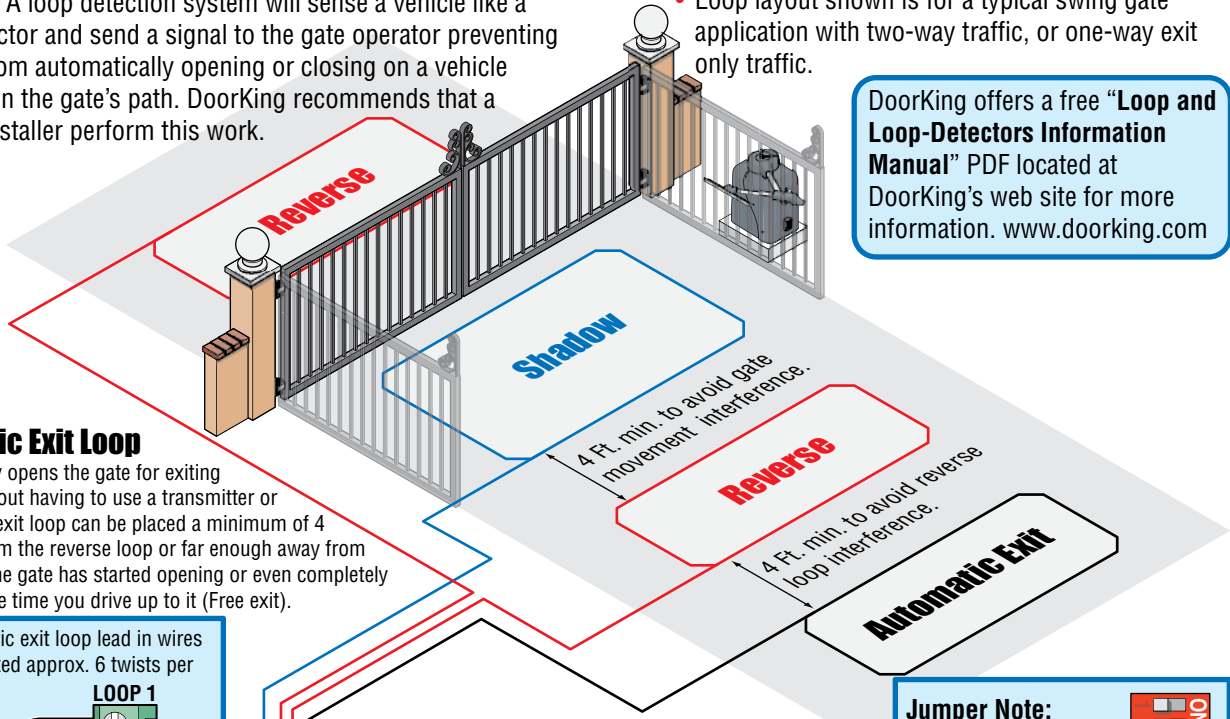
Entrapment Protection must be provided for the gate system where the risk of entrapment or obstruction exists. The operator will not run without one or more monitored type B1 or B2 entrapment protection devices.

4.4 Loop Detector Wiring

To help protect the operator from accidentally closing on vehicles in the gate's path, DoorKing highly recommends that loops and loop detectors be installed. Loops are laid underneath, cut into asphalt or concrete driveways or buried beneath gravel and earth driveways. A loop detection system will sense a vehicle like a metal detector and send a signal to the gate operator preventing the gate from automatically opening or closing on a vehicle when it is in the gate's path. DoorKing recommends that a licensed installer perform this work.

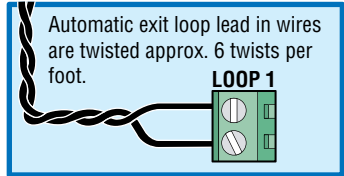
- Loop detector wiring is shown for DoorKing plug-in loop detectors. If other loop detectors are used, refer to the installation instructions supplied with those detectors for wiring instructions.
- If other detectors are used, use a separate power supply to power these detectors.
- Loop layout shown is for a typical swing gate application with two-way traffic, or one-way exit only traffic.

DoorKing offers a free "Loop and Loop-Detectors Information Manual" PDF located at DoorKing's web site for more information. www.doorking.com

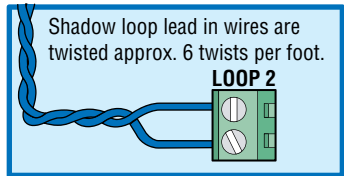


Automatic Exit Loop

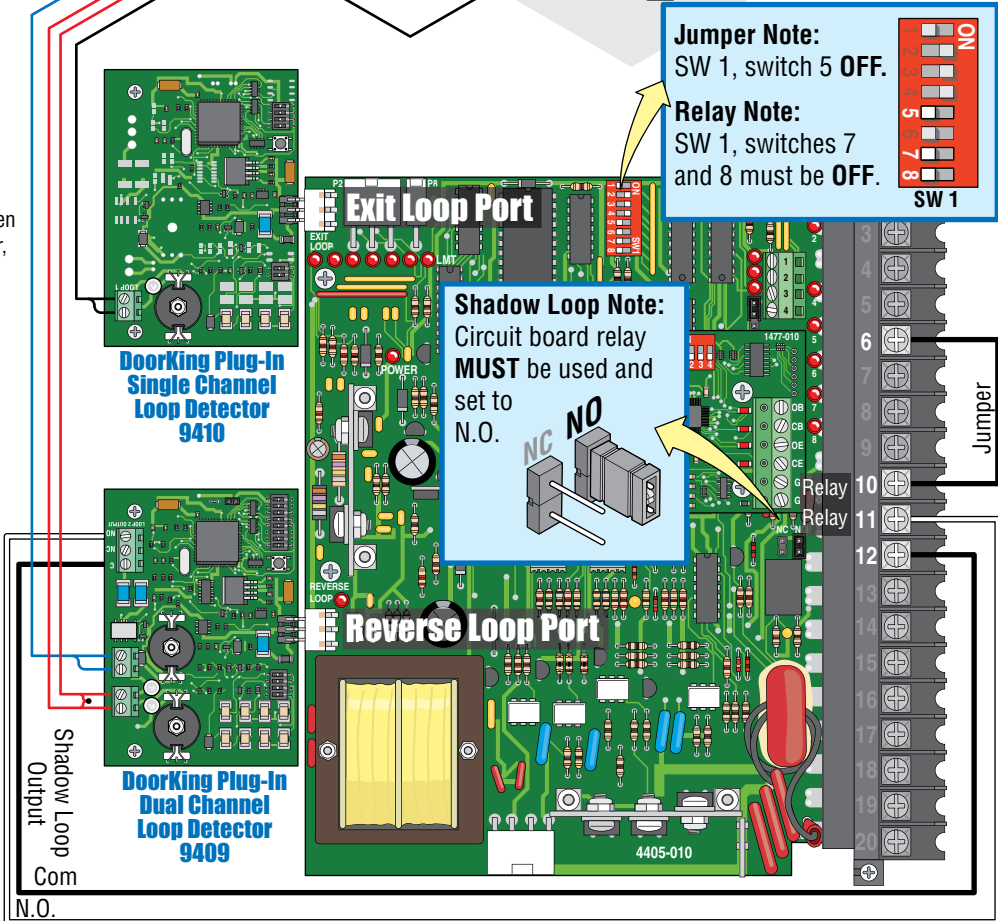
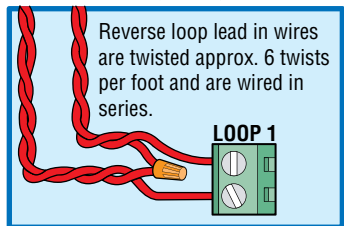
Automatically opens the gate for exiting vehicles without having to use a transmitter or keypad. The exit loop can be placed a minimum of 4 feet away from the reverse loop or far enough away from the gate so the gate has started opening or even completely opened by the time you drive up to it (Free exit).



Shadow Loop will **ONLY HOLD** the main gates in the **Full Open Position** when a vehicle is on the shadow loop. However, it **WILL NOT stop or reverse** the main gates once they start to close.



Reverse Loops are placed on each side of the gate to prevent the gate from closing on a vehicle in the gate's path. They will stop or reverse the cycling of the gate while a vehicle is in or near the gate's pathway.



SECTION 5 - OPERATING INSTRUCTIONS

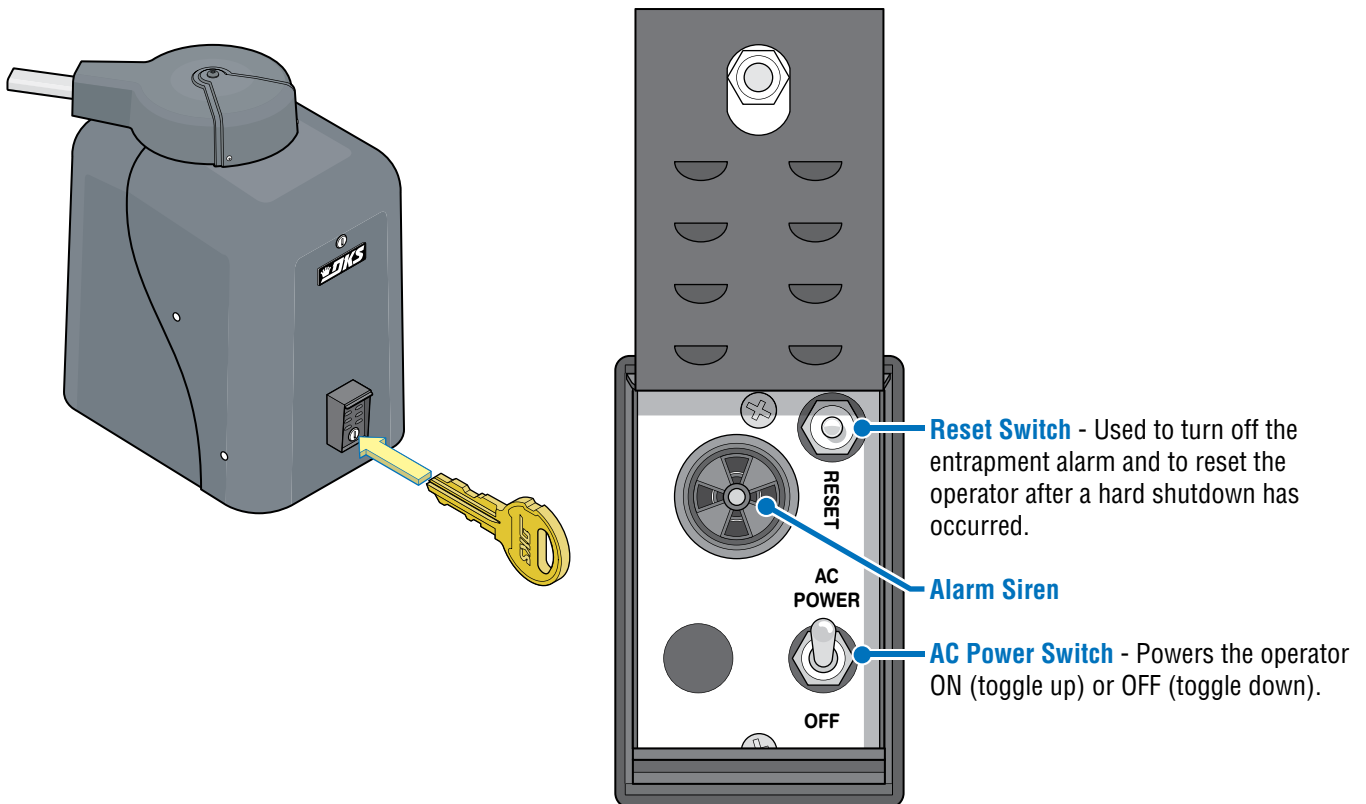
IMPORTANT SAFETY INSTRUCTIONS

WARNING - To reduce the risk of injury or death:

1. READ AND FOLLOW ALL INSTRUCTIONS.
2. Never let children operate or play with gate controls. Keep the remote control away from children.
3. Always keep people and objects away from gate. **NO ONE SHOULD CROSS THE PATH OF THE MOVING GATE.**
4. Test the operator monthly. The gate **MUST** reverse on contact with a rigid object or stop or reverse when an object activates the non-contact sensors. After adjusting the force or the limit of travel, retest the gate operator. Failure to adjust and retest the gate operator properly can increase the risk of injury or death.
5. Use the emergency release only when the gate is not moving and power has been shut-off.
6. **KEEP GATES PROPERLY MAINTAINED.** Read the owner's manual. Have a qualified service person make repairs to gate hardware.
7. The entrance is for vehicles only. Pedestrians must use separate entrance.
8. **SAVE THESE INSTRUCTIONS.**

5.1 Power and Reset Switch

Unlock the power switch cover and open to access the MAIN POWER and the operator RESET switch.



5.2 Shutdown Conditions

Under various entrapment conditions the operator will assume either a **soft** or **hard (alarm)** shutdown. To determine what type of reset action is required, you will need to understand how the different entrapment conditions affect the gate operator.

Soft Shutdown

This occurs in various situations where the inherent or entrapment protection devices have been activated. In a soft shutdown condition, the operator **will not** respond to any input that was present when the entrapment protection device sensed an obstruction. If the gate stops at the open position, the operator will not respond to the automatic close timer.

- **Example 1** - A time clock keys the gate open in the morning and an entrapment protection device senses an obstruction prior to the gate reaching the full open position. If the entrapment is sensed by the inherent system, the gate will reverse and run back to the closed position. The time clock input is still present, but the gate will not re-open.

NOTE: In some systems, the time clock input comes from the telephone entry system relay. This same relay may also provide open commands for a card reader, MicroPLUS transmitters and the visitor telephone entry. If so, these devices will also be disabled in a soft shutdown condition.

- **Example 2** - If the gate is closing and an entrapment protection device is activated, the gate will either stop or reverse and run back to the open position, depending upon if the secondary or inherent device was activated. The automatic close timer will not close the gate.
- **Example 3** - Vehicle arrives at open loop and gate runs towards the open position. The inherent entrapment protection is activated. The gate reverses and runs back to the closed position. If the vehicle is still present at the open loop a soft shutdown condition does not occur. The loop input provides an immediate reset of the operator and the gate will again run to the open position.

Resetting a Soft Shutdown

In some conditions, a soft shutdown will reset as soon as the entrapment condition clears. For example, if a non-contact sensor (photo sensor) is sensing an obstruction, the operator will stop the gate and assume a soft shutdown condition. When the photocell clears, the operator will return to normal operation.

When the operator is in a soft shutdown, activation of any "intended input" will reset the operator. An "intended input" includes any command, any standard safety input and any loop input. Activating any of these inputs will reset the gate. At that point the gate will return to normal operation. If the gate is open, the automatic close timer will then time out and close the gate.

Hard Shutdown (Alarm Activated)

A hard shutdown condition occurs when the inherent entrapment protection system has sensed **TWO** consecutive obstructions before the gate reaches the full open or closed position.

- **Example** - The gate is closing and the inherent entrapment protection system senses an obstruction and causes the gate to reverse direction. As the gate begins to run in the open direction, a second obstruction is sensed prior to the gate reaching the full open position. Once the second obstruction has been sensed, the operator will stop, the audio alarm will be activated and all standard inputs are shut down (including open commands, safety commands, loop inputs, etc.).

The audio alarm will sound for five minutes, or until the operator's reset button is pushed. After (5) five minutes the alarm will "chirp every 5 sec." and the hard shutdown condition will remain in affect until the reset button is pushed.

- After 5 minutes, the audio alarm will "chirp" every 5 seconds. This indicates that the operator is in a hard shutdown condition and the reset switch must be activated to reset the operator and silence the alarm.

Continued on the next page

Resetting a Hard Shutdown

When the operator is in a hard shutdown condition (audio alarm activated or audio alarm “chirps” every 5 seconds), the only way to reset the gate operator and return it to normal operation is to activate the alarm reset input (auxiliary terminals 2 and 3). An alarm-reset switch can be mounted external of the gate operator provided that it is installed in the line of sight of the gate and gate operator.

- Before resetting a hard shutdown, determine why the shutdown occurred. Inspect the gate for any obstructions along its path that could have activated the inherent entrapment sensing system. Inspect the gate and gate hardware.

NOTE: DoorKing operators have a built-in alarm reset push button mounted on the operator above the power ON-OFF toggle switch. Activating this button will return the gate operator to normal operation, **but will not activate the gate operator.**

Once the gate has been reset, an open or close command is needed to start the gate operator. Most activating commands will cause the gate operator to cycle to the open position. This includes activation of a key switch or open command and activation of the automatic exit loop. Activation of a close command will run the gate to the closed position.

5.3 Manual Gate Operation

This operator is equipped with a manual release system that will allow the gate to be pushed open in the event of a power outage or equipment failure. **NEVER** remove the hub from the operator after manually releasing it.

This gate operator CAN NOT be manually forced open in the event of a power failure without FIRST manually releasing the gate! (See next page)

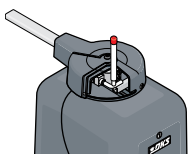
Never attempt to manually push open any gate with an operator attached to it until you have verified that power to the operator has been shut-off.

Emergency Vehicle Access Conditions

The automatic vehicular gate system must be designed to allow access to emergency vehicles under different operating conditions.



1. During normal powered operation, emergency vehicles access the gate by use of the **Emergency Vehicle Access Device** installed on your gate system. The type of device that is used in your community is dependent on your city codes. These devices may include (but are not limited to) Fire Department lock boxes, Click-2-Enter radio receivers, strobe light sensors, siren sensors, etc.



2. In the event of a primary (AC) power failure, the system must have a release system to allow the gate to be **Manually Operated** (See next page).

Manual Release

A Unlock the cover and rotate sliding door.

Never attempt to manually push open any gate with an operator attached to it until you have verified that power to the operator has been shut-off.

B Remove release tool and place where shown.

C Release hub.
Gate can now be manually operated.

CAUTION
DO NOT REMOVE HUB!

SECTION 6 - MAINTENANCE AND TROUBLESHOOTING

Inspection and service of this gate operator by a qualified technician should be performed anytime a malfunction is observed or suspected. High cycle usage may require more frequent service checks.

6.1 Maintenance

When servicing the gate operator, always check any external reversing devices (loops, photo eyes, etc.) for proper operation. If external reversing devices cannot be made operable, do not place this operator in service until the malfunction can be identified and corrected.

Always check the entrapment protection devices (external and internal) when performing any maintenance. If any of these devices cannot be made operable, remove this operator from service until the cause of the malfunction is identified and corrected. Keeping this operator in service when any entrapment protection devices are malfunctioning creates a hazard for persons which can result in serious injury or death should they become entrapped in the gate.

When servicing this gate operator, always turn power **OFF!!**

If gearbox requires oil, use only Mobil SYNTHETIC SHC-629 Oil. Do not completely fill gearbox with oil. Gearbox should be half full only. Do not exceed this level.

| Operator Component | Maintenance | Monthly Interval | | |
|--------------------------------|--|------------------|---|----|
| | | 1 | 6 | 12 |
| Warning Signs | Check that warning signs are on BOTH sides of the gate area. | ✓ | | |
| Alarm | Activate the inherent reverse system by blocking the gate with a solid object. When the gate reverses, block the gate in the opposite direction prior to the limit being reached. The entrapment alarm should activate. Press the reset button to silence the alarm. | ✓ | | |
| Arms | Check set screws and nuts. Check bushings for wear. | | ✓ | |
| Drive Belt | Check for alignment, tightness and wear. | | ✓ | |
| Fire Dept. | Check emergency vehicle access device for proper operation. | ✓ | | |
| Gate | Inspect for damage. Check gate hinges for wear and grease if necessary. | | ✓ | |
| Inherent Reverse System | Check that the gate reverses on contact with an object in both the opening and closing cycles. See page 45. Adjust the reversing sensor if necessary. | ✓ | | |
| Loop(s) | Check vehicular reverse and shadow loops for proper operation. | ✓ | | |
| Manual Release | Check manual release for proper operation. See page 44. | ✓ | | |
| External Reverse Device | Check external reverse device(s) stop or reverse the gate when activated. See page 45. | ✓ | | |
| Complete System | Complete check of gate and gate operating system. | | | ✓ |

6.2 Troubleshooting

Have a good VOM meter to check voltages and continuity. A Meg-Ohm meter capable of checking up to 500 meg-ohms of resistance is necessary to properly check the integrity of the ground loops. When a malfunction occurs, isolate the problem to one of three areas: 1) the operator, 2) the loop system, 3) the keying devices. **Use caution when checking high voltage areas: terminals 17 through 20, the motor capacitor and the motor.**

1. Check the input indicator LEDs. They should only come ON when a keying device (card reader, push button, etc.) is activated. If any of the input LEDs are ON continuously, this will cause the gate operator to hold open. Disconnect the keying devices one at a time until the LED goes OFF.
2. Check any external entrapment protection devices. Any short or malfunction in these devices can cause the gate operator to stop or to hold open.
3. A malfunction in a loop or loop detector can cause the gate operator to hold open, or to not detect a vehicle when it is present over the loop. The LEDs next to the loop detector ports on the operator circuit board will light only when the loop has detected an object above it. If the LEDs stays on after the object has gone, then the loop detector has malfunctioned. Pull the loop detector circuit boards from the loop ports on the operator circuit board. If the malfunction persists, the problem is not with the loop system. For more information on trouble shooting loops and loop detectors, refer to your loop detector instruction sheet and to the DoorKing Loop and Loop Detector Information Manual.
4. Check to be sure that there are no shorted or open control wires from the keying devices to the gate operator. If a keying device fails to open the gate, momentarily jumper across terminals 1 and 2 (or 1 and 5) on the gate operator circuit board. If the gate operator starts, this indicates that a problem exist with the keying device and is not with the gate operator.
5. Check the high voltage supply. A voltage drop on the supply line (usually caused by using too small supply voltage wires) will cause the operator to malfunction. Refer to the wire size chart in section 2.1 page 18.

| Symptom | Possible Solution(s) |
|---|---|
| Operator will not run. Power LED is OFF. | <ul style="list-style-type: none"> • Check that power to the operator is turned ON. • Transformer may be overheated. Turn power off and allow board to cool for several minutes then retest. Check for low 115 VAC power and low voltage shorts. • Check for 115 VAC at terminals 19 and 20. If voltage measures OK, check the terminal strip or replace the circuit board. |
| Operator will not run. Power LED is ON. | <ul style="list-style-type: none"> • Insure that a minimum of one (1) entrapment protection device is connected and the input it is connected to is enabled (UL 325-DIP switch is ON). • Push test button or momentarily jumper terminal 1 to terminal 2 (or 1 to 5). If the input LED does not come ON, check the terminal strip or replace the circuit board. If LED does come ON, proceed to next steps. • Check Motor: <ul style="list-style-type: none"> - Remove circuit board. With power ON, momentarily jumper terminal 19 to terminal 18 with a 14 AWG insulated jumper wire. CAUTION – HIGH VOLTAGE. The motor should run. - With power ON, momentarily jumper terminal 19 to terminal 17 with a 14 AWG insulated jumper wire. CAUTION – HIGH VOLTAGE. The motor should run in the opposite direction of the above step. - If the motor runs in both steps above, replace the control board. If the motor does not run, or runs in only one direction, problem can be a bad motor, motor capacitor, wire connections from the control board to the motor or a bad control board. |
| Secondary operator motor will not run. | <ul style="list-style-type: none"> • Check that SW-1, switch 6 is ON. • Remove circuit board. Momentarily jumper terminal 19 to the primary/secondary connection terminal block terminal 1, then to terminal 2 with a 14 AWG insulated jumper wire. CAUTION – HIGH VOLTAGE. The secondary motor should run one way, then the other way as power is applied to each terminal. • If the secondary motor runs in both directions, replace the control board. If secondary motor does not run, or runs in only one direction, problem can be in the wiring from the primary to secondary operator, bad secondary motor or motor capacitor. |

| Symptom | Possible Solution(s) |
|--|---|
| Operator will not run, entrapment protection input(s) LED is ON. | <ul style="list-style-type: none"> • The entrapment protection device has a fault or the wiring to it is shorted. |
| Operator will not run, entrapment protection input(s) LED is Blinking. | <ul style="list-style-type: none"> • The entrapment protection device is not connected or the wiring to it is open. |
| Gate will not reverse when an obstruction is encountered. | <ul style="list-style-type: none"> • Check ERD setting. • Make sure operator hub does not slip when gate encounters an obstruction. |
| Gate opens a short distance, then stops and reverses. | <ul style="list-style-type: none"> • Check the reversing sensitivity. • Disconnect gate from the gate operator and check that the gate swings freely without any binding. • Continue troubleshooting or replace the circuit board. |
| Gate opens but will not close. | <ul style="list-style-type: none"> • Check the input LEDs. Any ON will hold the gate open and indicates a problem with a keying device. • Check the secondary safety devices. Any activated will hold the gate open and indicates a problem with the safety device. • Check the loop detectors. Any activated can hold the gate open and indicates a problem with the loop detector or ground loop. • Operator may be in a “soft shutdown.” Activate any keying device to determine if operator returns to normal operation. • If automatic close is desired, be sure SW-1, switch 4 is ON. • Check motor as described on previous page. |
| Gate closes but will not open. | <ul style="list-style-type: none"> • Operator may be in a “soft shutdown.” Check input LEDs. If any are ON, momentarily disconnect, then re-connect the wire going to the respective terminal. Operator should open. • Check to be sure that the operator is running in the proper direction. Turn power OFF, and then back ON. Activate a keying device. Operator should run in the open direction. If operator runs in the close direction, turn power OFF and change direction switch SW-1, switches 1 and/or 2. Go to above section if operator now opens but will not close. • Be sure that the respective LED on the control board lights when the keying device connected to the respective terminal is activated. If LED does not light, momentarily place a jumper wire from terminal 1 to the input terminal being checked. If LED lights and gate opens, problem is with the keying device. If LED does not light, replace control board. • Check motor as described on previous page. |
| Gate starts to close, then reverses to open. | <ul style="list-style-type: none"> • Check that the reverse sensitivity is properly adjusted. • Disconnect the gate from the operator and check that the gate operates freely without any binding. • Check the loop detector LEDs and input LEDs. Any that flash ON will cause the gate to reverse. • If a shadow loop is used, check for proper wiring. A mis-wired shadow loop detector will cause the gate to reverse. • Continue troubleshooting or replace the circuit board. |
| Gate closes and then re-opens. | <ul style="list-style-type: none"> • Check for any input or loop detector LEDs that are ON. • Check that operator is running in the proper direction (see “Gate closes but will not open” above). |
| Alarm sounds for 5 minutes and then beeps once every 5 seconds. Operator will not run. | <ul style="list-style-type: none"> • Operator is in a “hard shutdown” condition. Reset switch must be activated to return operator to normal operation. |
| Operator has intermittent functionality problems that vary. | <ul style="list-style-type: none"> • The main terminal #3 250 mA power has been exceeded. Check total amp draw of connected device(s). |

6.3 Built-in Diagnostics

This gate operator is designed with built-in diagnostics that will alert you to potential or existing problems that the microprocessor has detected. Specific fault conditions are checked and the operator will signal that a fault exist through the built-in alarm.

Constant tone is heard when power is applied: This indicates that the limit switch wire harness is not connected to the circuit board. In this condition, the operator will not run and the tone will continue until the fault is corrected. Check to be sure that the limit switch plug is properly inserted into P2.

Constant tone is heard: This indicates that the operator is in a hard shutdown condition. The tone will continue to sound for five minutes, and then will beep once every five seconds. The operator-reset button must be pressed or power must be removed and then reapplied to return the operator to normal operation.

Short tone is heard every five seconds: This indicates that the operator has been in a hard shutdown condition in excess of five minutes. This will continue until the operator-reset button is pressed or until power is removed from the operator.

Operator runs for 1 second and stops, two short tones are heard: This indicates that there may be a fault with the current sensor circuit. Check that the black current sensor wire has been passed through the hole in the current sensor donut with the correct number of loops (1/2 HP motor - 2 loops, 1 HP motor - 1 loop).

6.4 Accessory Items

UL 325 Monitored Entrapment Protection Devices available for the model 6500 swing gate operator.

Type B2 Contact Sensors (Reversing Edge)

Miller Edge Sensing Edges - all models with a T2 (resistive) termination.
Miller Edge Monitored Gate Link Model MGL-K20
Miller Edge wireless monitored transmitter/receiver kit model RB-G-K10
ASO GMBH Sentir GF Series sensing edges

Type B1 Non-contact Sensors (Photo Cell)

Miller Edge Reflective-Guard Model RG
Miller Edge Prime-Guard Model PG
EMX Industries Model IRB-MON
EMX Industries Model IRB-RET
Omron Model E3K-R10K4
Seco-Larm Model E-936-S45RRGQ
Seco-Larm Model E-960-D90GQ

Monitored Expansion Kit

Miller Edge Multi-Input Module Model MIM-62

Accessory items available for the model 6500 swing gate operator.

Plug-In Loop Detector - Detectors plug directly into ports on circuit board simplifying wiring.

Single channel detector - P/N 9410-010
Dual channel detector - P/N 9409-010
Single channel detector with aux relay - P/N 9411-010
Single channel low power draw detector - P/N 9416-010
Dual channel low power draw detector - P/N 9415-010

External Loop Detector

Reno A&E 12/24 VDC or 24 VAC - 9402-045
Reno A&E 120 VAC - 9402-047
Carlo Gavazzi 24 VAC/VDC - 9402-044
Diablo 10-30 VAC/VDC low power draw - 9402-050

Magnetic Lock - Magnetic Gate Lock Kit provides an excellent means to secure swing gates and is a fail-safe device allowing emergency vehicle access upon power outage.

P/N 1216-080 and P/N 1216-081

Control Station - Interior station mounts into single-gang electrical box. Provides open and hold open manual operation of the gate.

P/N 1200-017.

115 VAC Heater and Fan Assembly - Cold weather climates where temperatures drop below 40°F (4°C). P/N 6500-480

Interconnection Cable - Interconnect wire cable contains all the necessary wires to interconnect primary / secondary operators.

Cable length 30 feet. P/N 2600-755
Cable length 40 feet. P/N 2600-756
Cable length 50 feet. P/N 2600-757

High Voltage Kit - Alter the input AC voltage on a 115 VAC 6500 to 208, 230, 460 or 575 VAC. P/N 2600-266

Time Clock - 7 day time clock can be used to automatically open gate at pre-set time and days. Compact clock fits inside the operator.

P/N 2600-791 - 7 day clock

Torsion Rods - Torsion rod assembly is used on uphill swing gates for counter balance.

P/N 1203-084

Hinges - Heavy-duty ball bearing hinges provide easy swing gate operation.

P/N 1200-009, P/N 1200-019, P/N 1200-039.

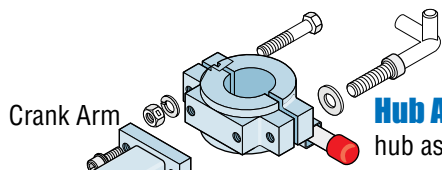
Surge Devices - High and low voltage surge suppressors help prevent circuit board failure caused by lightning strikes and power surges.

P/N 1879-010 - High Voltage
P/N 1878-010 - Low Voltage

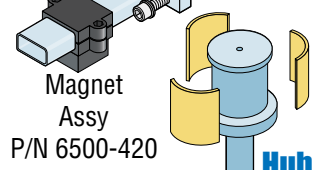
Speed Bumps - Prefabricated six-foot speed bump reduces traffic speed through gate system. P/N 1610-150

6.5 Gearbox Shaft Extension Replacement

- Crank Arm Only** P/N 6500-255
- Control Arm Only** P/N 2600-714
- Elbow Assy ONLY** P/N 2600-720
- Complete Arm Kit** P/N 6500-430



Hub Assembly Remove the **TWO** bolts to remove hub assembly from hub extension shaft.



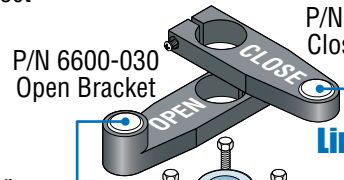
Brass Bushings P/N 6500-145

Magnet Assy
P/N 6500-420

Hub Extension Shaft Assembly P/N 6500-162

Snap Ring Channel

Limit Sensor Assemblies Loosen set screws on plastic limit assemblies to remove them. **Be CAREFUL** not to damage limit sensor wires after the assemblies have been removed.
Note: Close Limit Sensor must be reinstalled on **TOP** of Open Limit Sensor.



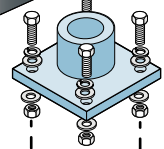
P/N 6600-032
Close Bracket

Limit Sensor P/N 1601-261

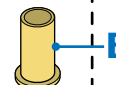
Limit Sensors

P/N 6600-030
Open Bracket

Limit Sensor P/N 1601-263



Limit Sensors Collar P/N 6500-117
Remove the **FOUR** bolts to remove collar.



Brass Bushing P/N 6500-138



Bushing Lock Plate P/N 6500-123

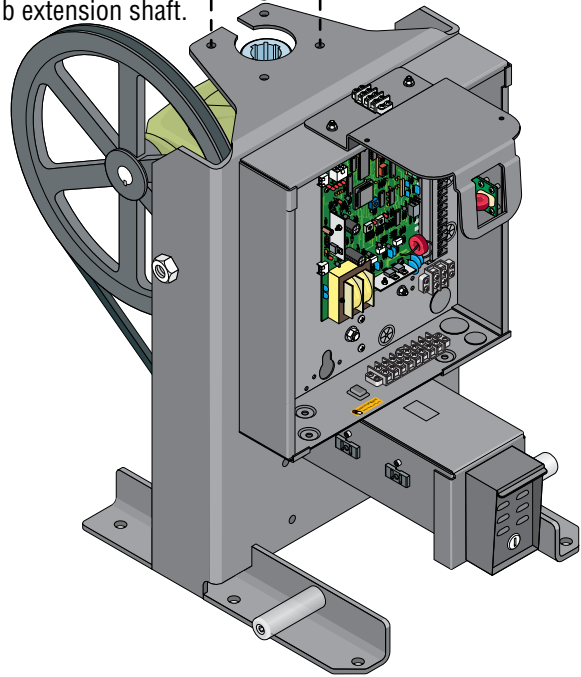


Stainless Steel Washer P/N 2620-075

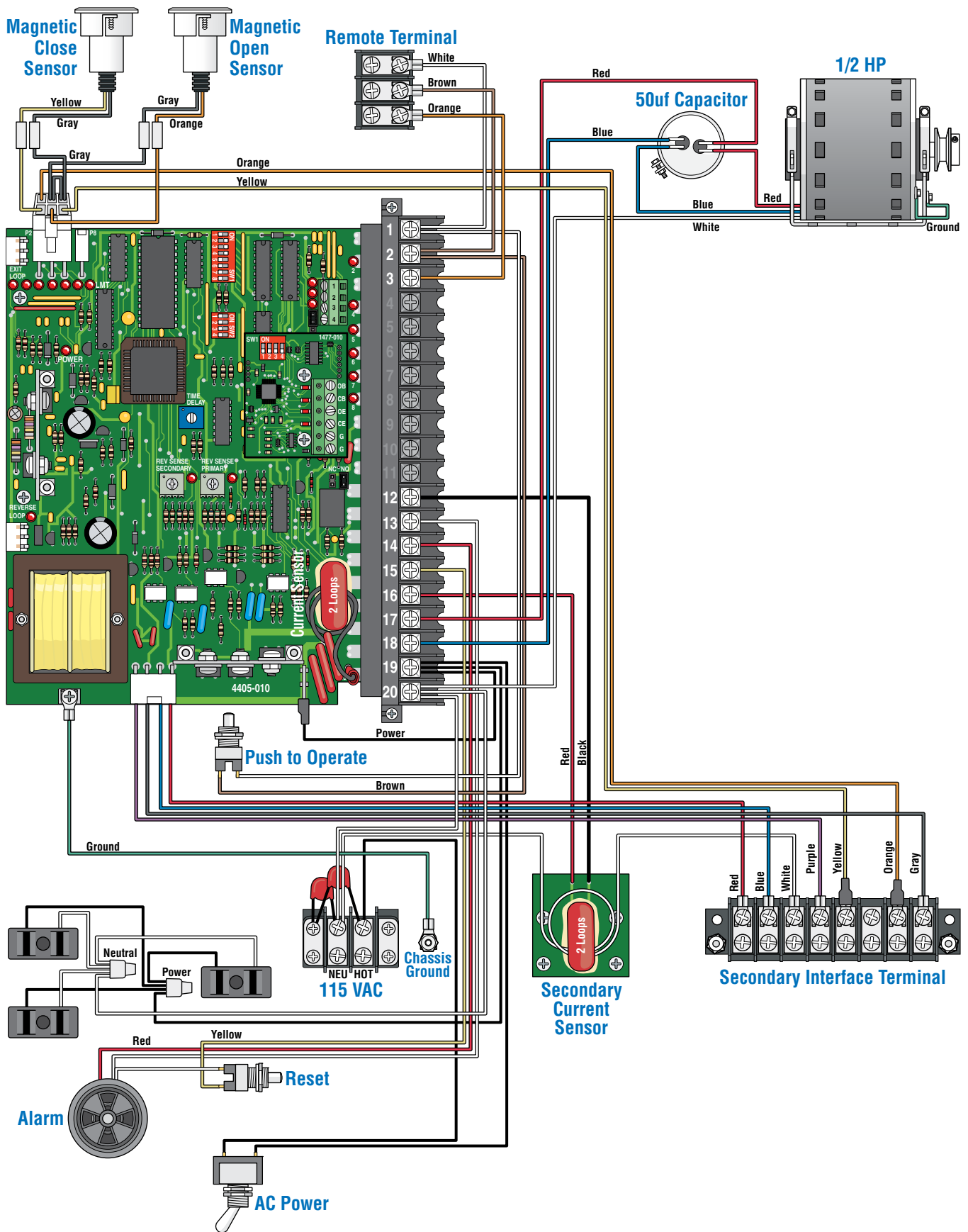
P/N 2630-007 **Snap Ring**

Removing snap ring will release hub extension shaft.

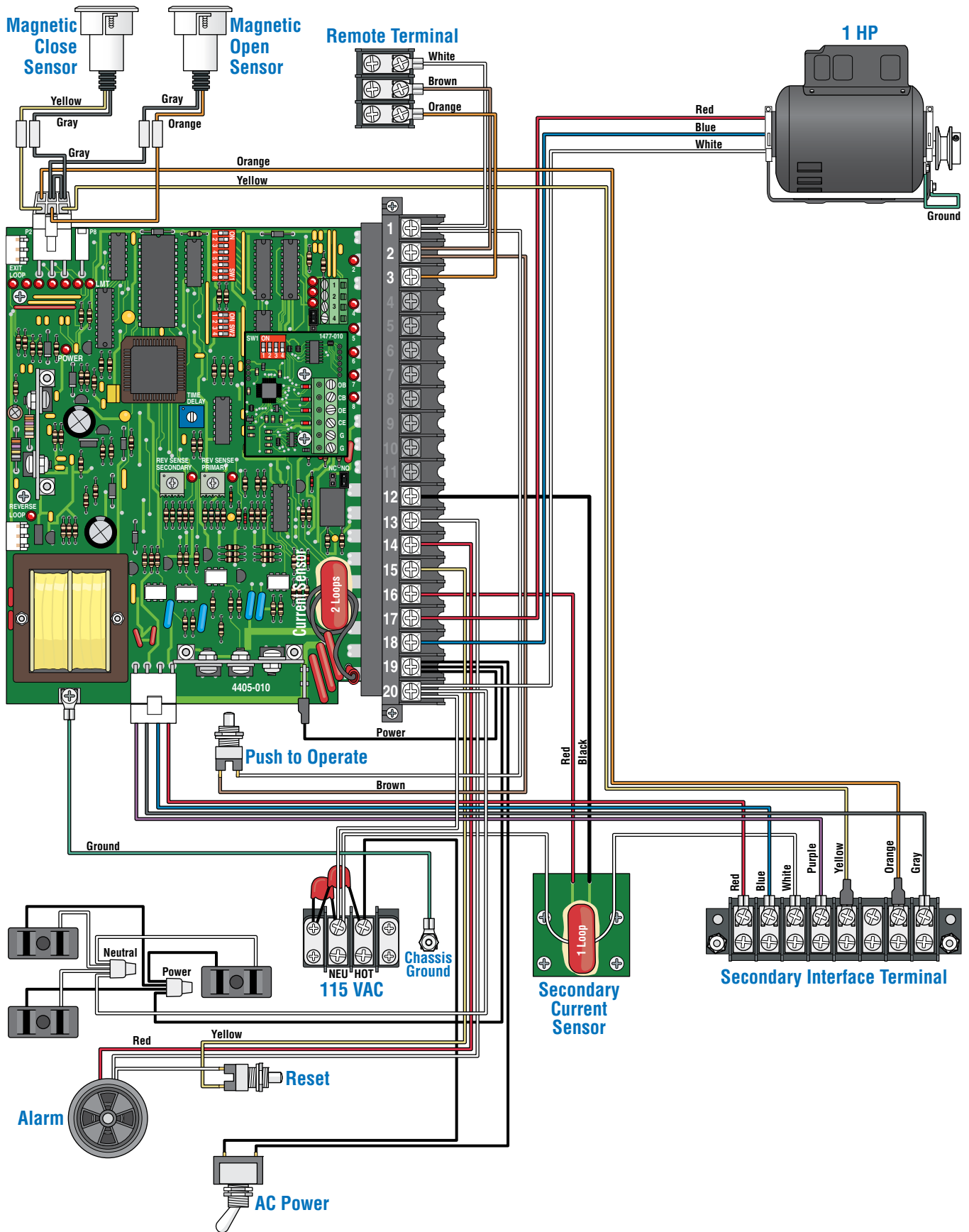
Gearbox P/N 2600-719



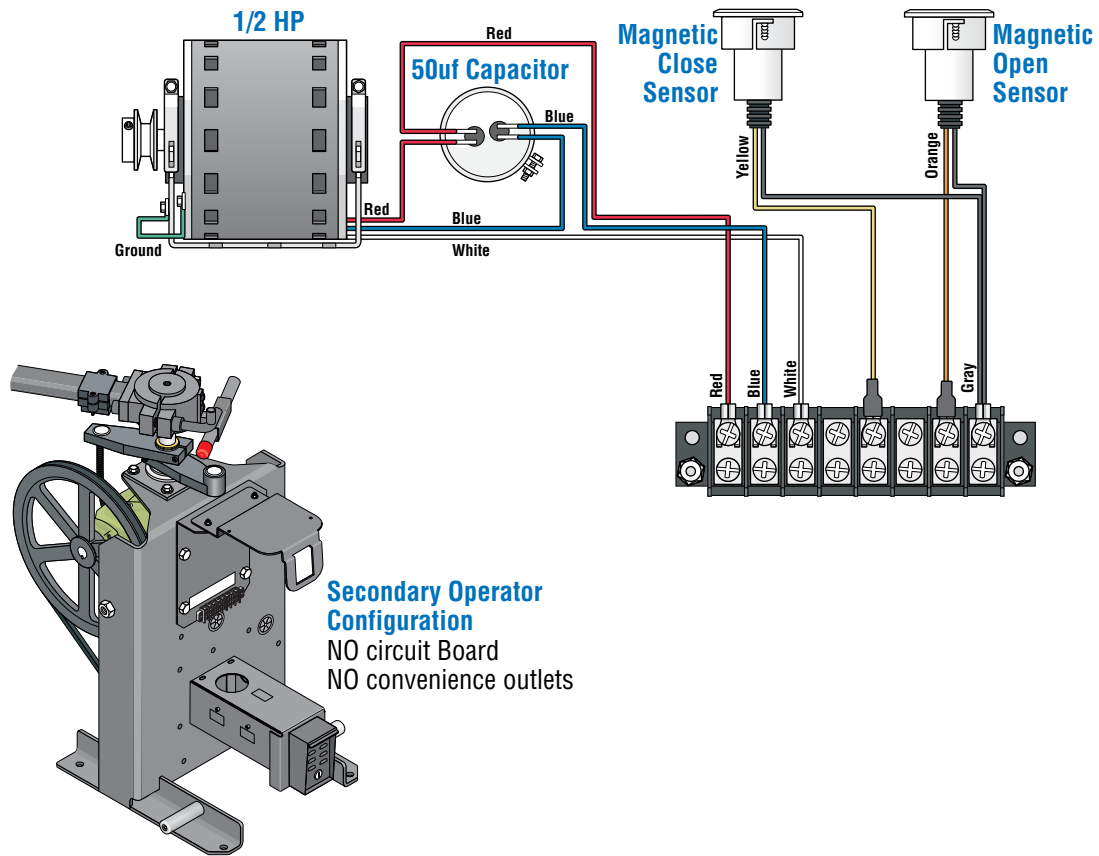
Model 6500 1/2 HP 115 VAC



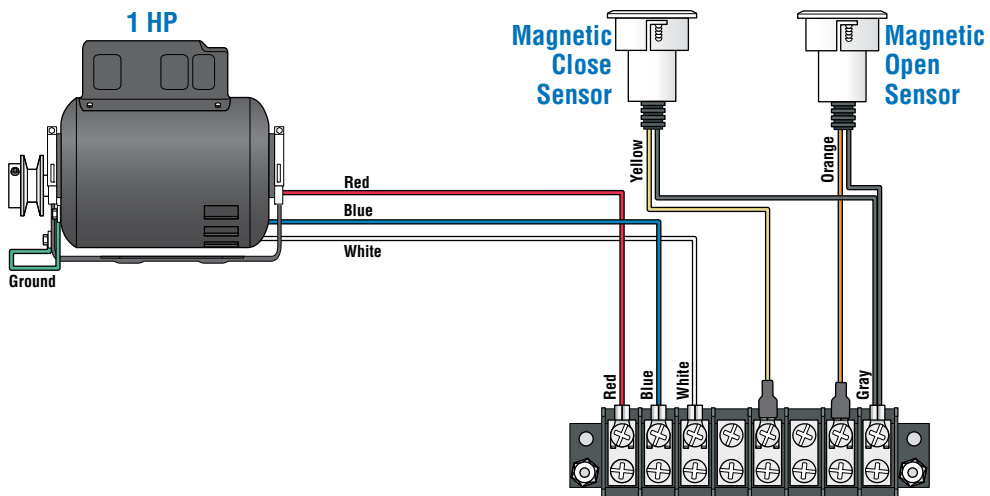
Model 6500 1 HP 115 VAC



Model 6500 1/2 HP Secondary Operator

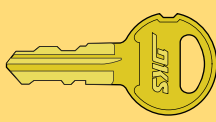


Model 6500 1 HP Secondary Operator



SECTION 7 - OWNER OF THE GATE OPERATOR

7.1 Alarm Sounding and Gate WILL NOT Operate



A KEY has been supplied that will unlock the power switch cover on this gate operator.

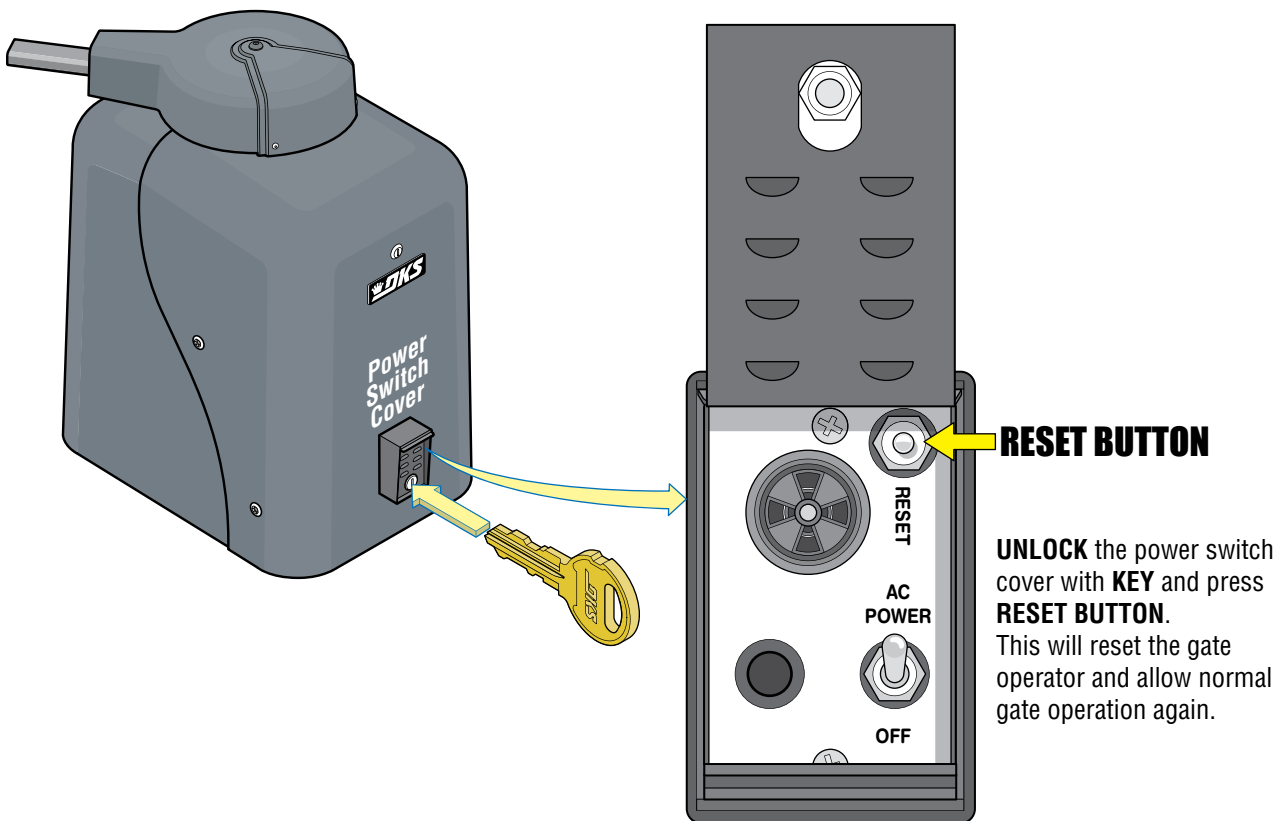
Note: The owner of the gate operator is responsible for the KEY availability.



When alarm is sounding .. ALWAYS CHECK GATE AREA FOR ANY OBSTRUCTIONS FIRST.

If the cause of the alarm cannot be corrected, shut-off power and **DO NOT** place this operator back into service until the malfunction can be identified and **CORRECTED**.

IMPORTANT: Putting this gate operator back into service without **CORRECTING** the cause of the alarm could result in serious injury or **DEATH!**



UNLOCK the power switch cover with **KEY** and press **RESET BUTTON**. This will reset the gate operator and allow normal gate operation again.

Gate Operator is in a Hard Shutdown Condition when Alarm is Sounding

This occurs when:

1. The inherent entrapment protection system (Type A) gets activated **TWO** consecutive times before the gate completes the open or close cycle.
2. The reversing edge contact sensor (Type B2) gets activated and reverses but before the gate completes the reverse cycle the inherent entrapment protection system (Type A) gets activated.

The audio alarm will sound for five minutes, or until the operator's reset button is pushed. After (5) five minutes the alarm will "chirp every 5 sec." and the hard shutdown condition will remain in affect until the reset button is pushed.

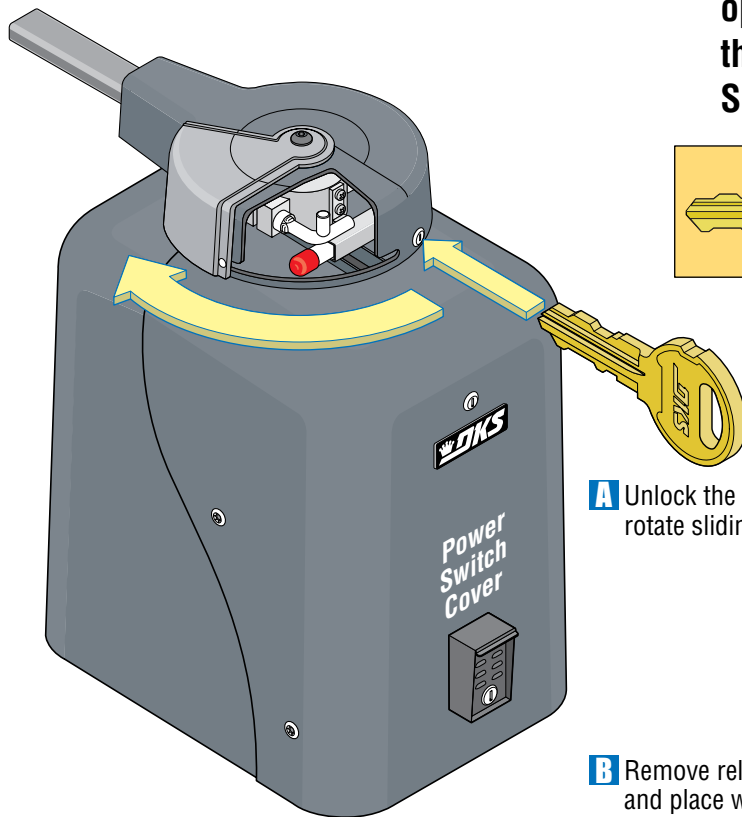
Please read **SECTION 5 - OPERATING INSTRUCTIONS** for more information about operating this gate operator.

7.2 Manual Gate Operation

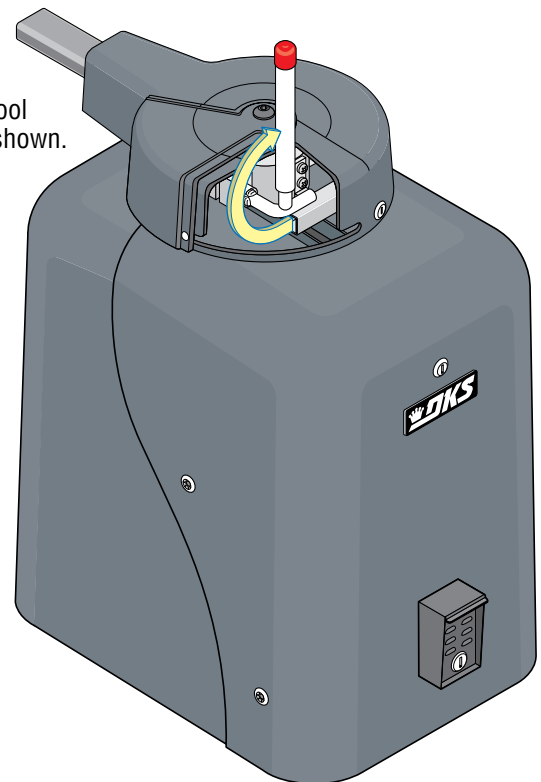
Caution: NEVER attempt to manually operate the gate until you have VERIFIED that power to the gate operator has been SHUT-OFF!

 A KEY has been supplied that will unlock the cover and power switch cover on this gate operator.

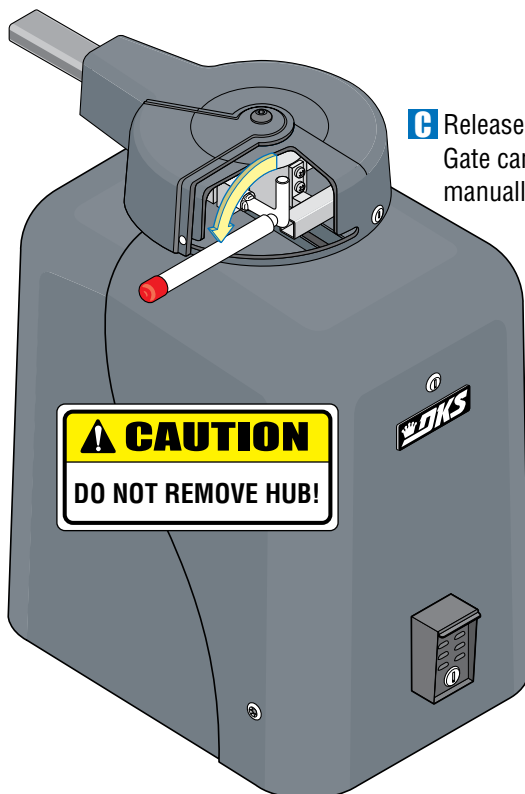
Note: The owner of the gate operator is responsible for the KEY availability.



B Remove release tool and place where shown.



C Release hub. Gate can now be manually operated.



Please read **SECTION 5 - OPERATING INSTRUCTIONS** for more information about operating this gate operator.

7.3 Gate Operator's Monthly Checkup

Caution: Make SURE gate area is clear BEFORE testing the gate operator!

DO NOT repair or adjust gate systems yourself. Contact a trained gate systems technician with any questions or to make any repairs or adjustments. If you feel uncomfortable performing any of these inspections or testing, a qualified service technician will perform the visual inspections and testing for you. You can find a trained service technician at DoorKing's "Dealer Locator" at www.doorking.com

Visual Inspection

Visually inspect the rollers, fasteners, brackets and other gate hardware for proper alignment, proper tightness, and signs of damage, breakage, looseness, rust or wear. Moving parts should be lubricated and should not be squeaking. Visually inspect wiring for fraying or exposure. If a malfunction is found, contact a trained service technician to make adjustments or repairs.

Test Built-In Reversing Sensor

Begin with the gate in the fully **OPEN** position. Stand just outside the path of the gate and close the gate (typically auto-timer will time-out and close gate automatically). As the gate is **closing**, firmly press a solid object against the end of the gate frame in the direction opposing the travel of the gate. The gate should **stop** within 2 sec. and **reverse** to the **OPEN** position. Another input command is needed before the gate will reset and close again. Repeat this test while **opening** the gate. Start from the fully **CLOSED** position. While **opening**, gate should **stop** and **reverse** to the **CLOSE** position. If gate does **NOT** respond like it should in **either** direction of gate travel, contact a trained service technician to make adjustments or repairs.

Test Photo Sensors

If the gate has a photo sensing device protecting the path of a **closing gate**, perform the following test. Begin with the gate in the fully **OPEN** position. Stand just outside the path of the gate and close the gate (typically auto-timer will time-out and close gate automatically). Pass an object across the path of the closing photo sensing beam. The gate should **stop** within 2 sec. and **reverse** to the **OPEN** position. Typically the auto-timer times out and gate closes again.

If the gate has a photo sensing device protecting the path of a **opening gate**, start from the fully **CLOSED** position. **OPEN** gate. Pass an object across the path of the opening photo sensing beam. The gate should **stop**, the gate will resume opening when the beam is clear. If gate does **NOT** respond like it should in **either** direction of gate travel, contact a trained service technician to make adjustments or repairs.

Test Reversing Edges

If the gate has a reversing edge(s) protecting the path of a **closing gate**, perform the following test. Begin with the gate in the fully **OPEN** position. Stand just outside the path of the gate and close the gate. As the gate is closing, firmly press a solid object against the reversing edge in the direction opposing the travel of the gate. The gate should **stop** within 2 sec. and **reverse** to the **OPEN** position (typically auto-timer will time-out and close gate automatically). If the gate encounters **another** obstruction before it is closed, the gate will **stop** and reverse to the **OPEN** position **again**. A input command is needed before the gate will reset and close again, auto-timer will **NOT** close gate (Typically, press your remote button for input command). If the gate has a reversing edge(s) protecting the path of a **opening gate**, starting from the fully **CLOSED** position. Stand just outside the path of the gate and open the gate. **OPEN** gate. As the gate is opening, firmly press a solid object against the reversing edge in the direction opposing the travel of the gate. gate should **stop** and **reverse** to the **CLOSE** position. If gate does **NOT** respond like it should in **either** direction of gate travel, contact a trained service technician to make adjustments or repairs.

Note: This gate operator uses high levels of force to move the gate and most people underestimate the power of these systems and do not realize the potential hazards associated with this system if **NOT** maintained properly.

Scheduled maintenance visits are offered by most qualified service technicians to MAINTAIN your gate operator system.

This page intentionally left blank.

Alarm Sounding and Gate Will NOT Operate



To obtain key to unlock gate operator contact:

Name _____

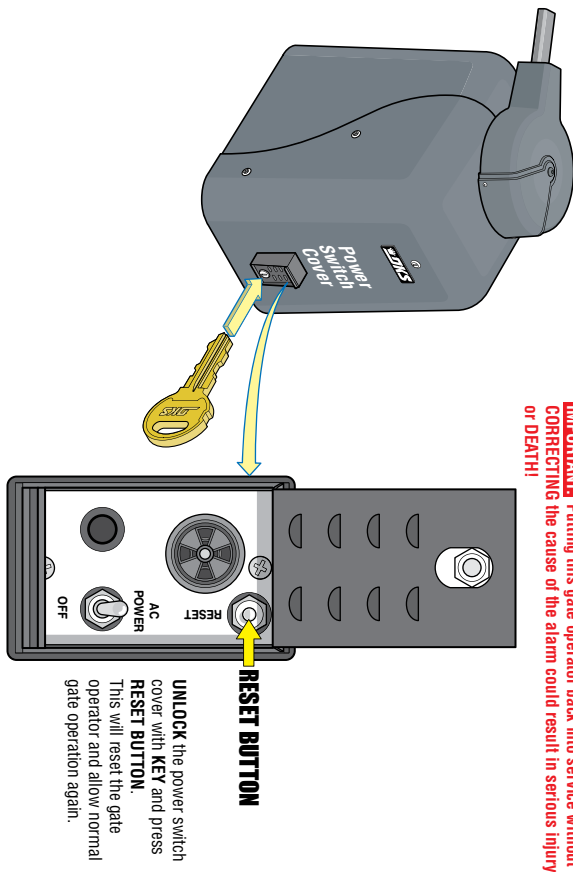
Phone # _____

When alarm is sounding ..

ALWAYS CHECK GATE AREA FOR ANY OBSTRUCTIONS FIRST.

If the cause of the alarm cannot be corrected, shut-off power and **DO NOT** place this operator back into service until the malfunction can be identified and **CORRECTED.**

IMPORTANT! Putting this gate operator back into service without **CORRECTING** the cause of the alarm could result in serious injury or DEATH!



RESET BUTTON
UNLOCK the power switch cover with **KEY** and press **RESET BUTTON.** This will reset the gate operator and allow normal gate operation again.

Gate Operator is in a Hard Shutdown Condition when Alarm is Sounding

- This occurs when:
1. The inherent entrapment protection system (Type A) gets activated TWO consecutive times before the gate completes the open or close cycle.
 2. The reversing edge contact sensor (Type B2) gets activated and reverses but before the gate completes the reverse cycle the inherent entrapment protection system (Type A) gets activated.

The audio alarm will sound for five minutes, or until the operator's reset button is pushed. After (5) five minutes the alarm will "chirp every 5 sec." and the hard shutdown condition will remain in effect until the reset button is pushed.

Please read **SECTION 5 - OPERATING INSTRUCTIONS** for more information about operating this gate operator.

Manual Gate Operation

Caution: NEVER attempt to manually operate the gate until you have **VERIFIED** that power to the gate operator has been **SHUT-OFF!**

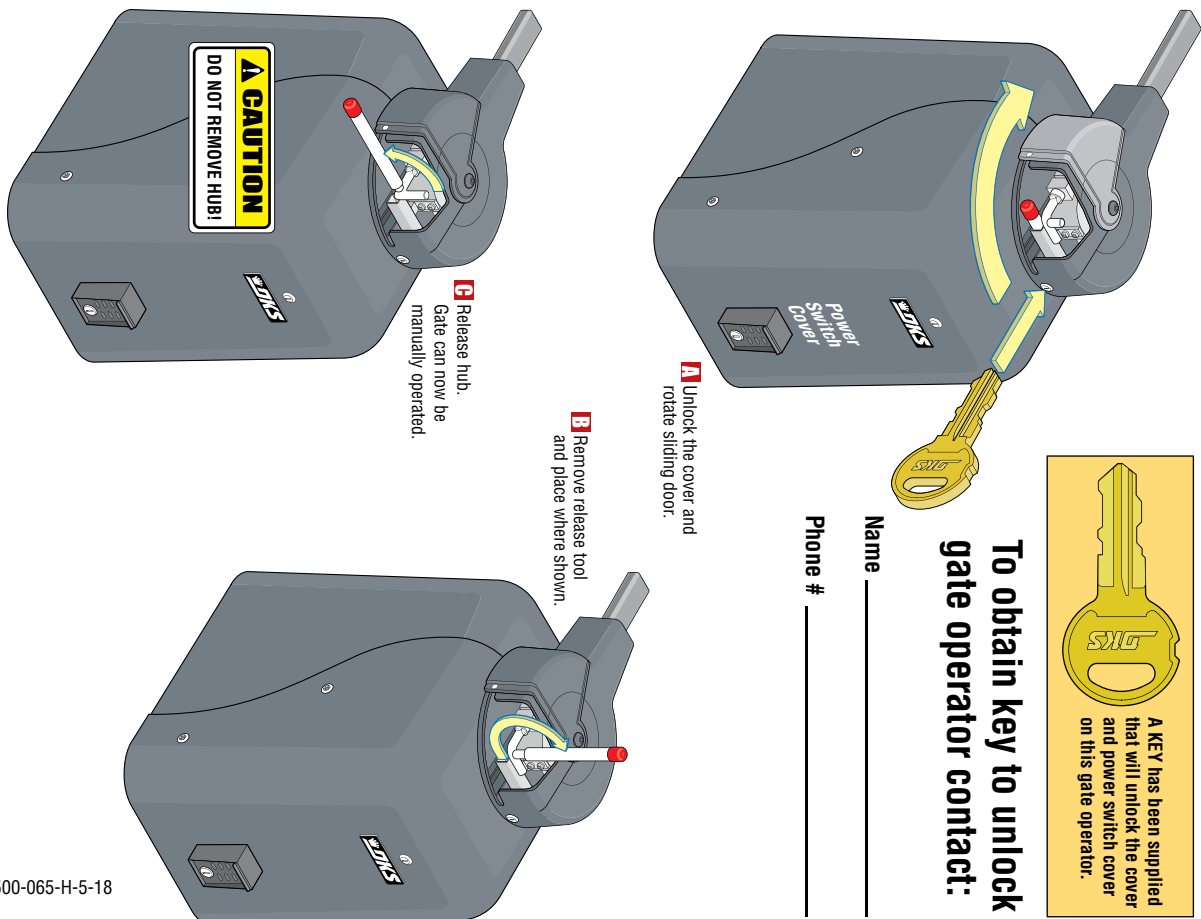
Please read **SECTION 5 - OPERATING INSTRUCTIONS** for more information about operating this gate operator.



To obtain key to unlock gate operator contact:

Name _____

Phone # _____



1 Unlock the cover and rotate sliding door.

2 Remove release tool and place where shown.

3 Release hub. Gate can now be manually operated.

Entrapment Protection must be provided for the gate system where the risk of entrapment or obstruction exists. The operator will not run without one or more monitored type B1 or B2 entrapment protection devices.



THIS PRODUCT IS TO BE INSTALLED AND SERVICED BY A TRAINED GATE SYSTEMS TECHNICIAN ONLY.
Visit www.dkslocator.com to find a professional installing and servicing dealer in your area.

www.doorking.com

DoorKing, Inc.
120 S. Glasgow Avenue
Inglewood, California 90301
U.S.A.

Phone: 310-645-0023
Fax: 310-641-1586