

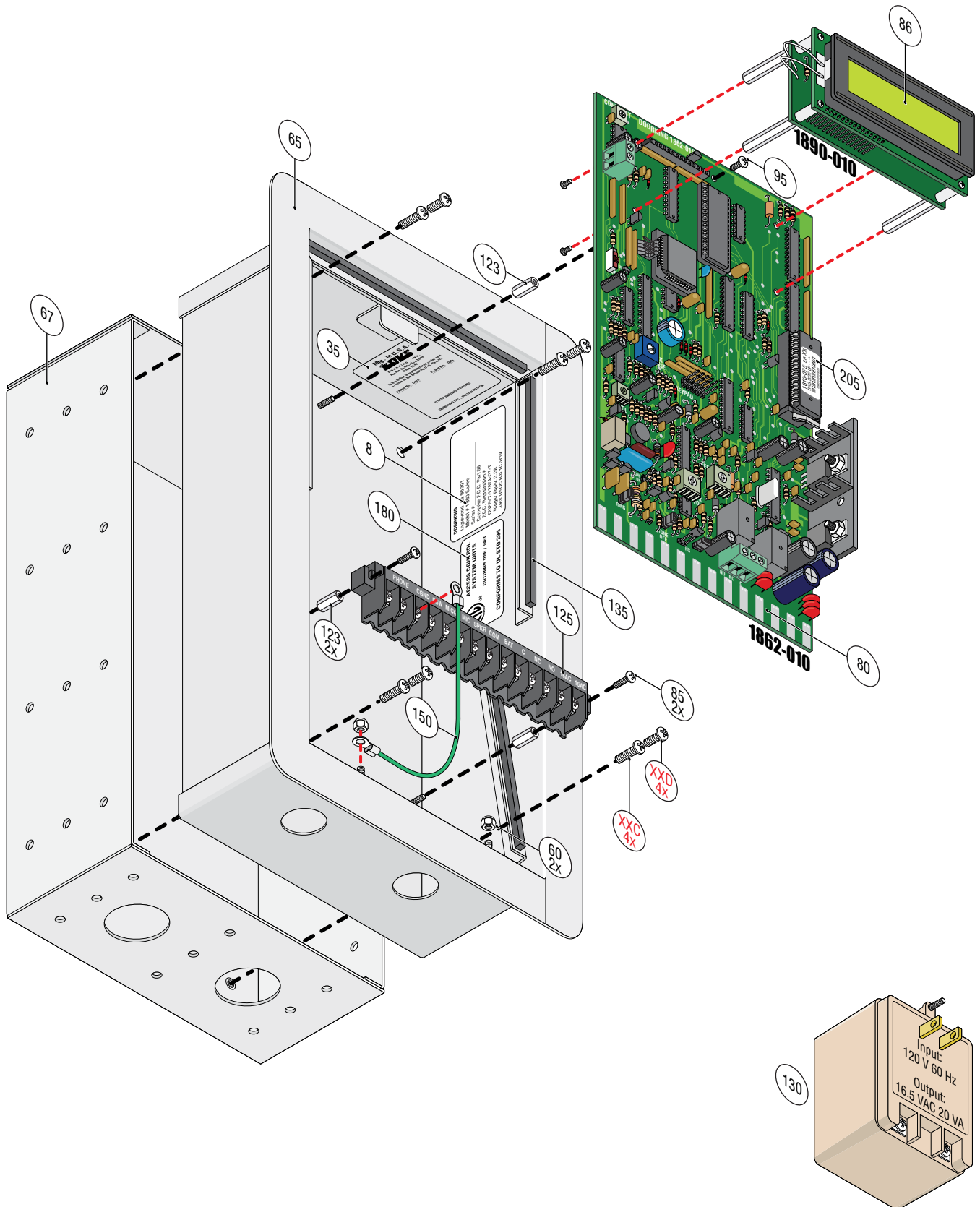
ILLUSTRATED PARTS BREAKDOWN - IPB

Bill of Materials - BOM

1802 Flush Mount 1802-089 Stainless Steel

Item	Part Number	Quantity	UM	Description
8	1804-023	1	EA	Decal FCC
10	1804-004	1	EA	Cover Lexan Clr 3.75 x .85 x .125
13	1802-005	1	EA	Cover Plastic Slant 1802
15	1804-042	1	EA	Hole Plug
20	1400-009	1	EA	Decal Identification
22	1802-065	1	EA	Manual - Installation
25	1895-017	1	EA	Keypad 10 Pin Numbers Header
27	1804-038	1	EA	Wire Ribbon Cable Assy 10 Cond
30	1804-039	2	EA	Retaining Strip Keypad
35	2599-008	1	EA	Label Patent
40	4001-035	1	EA	Lock N16058BDxSFx2K Key 16120
43	1702-501	1	EA	Cam 7/8"
45	1998-190	1	EA	PCB Microphone Short, SMT
47	1897-053	1	EA	Gasket, Microphone
50	2902-006	2	EA	Nut Nylon Lock 10-32
55	2902-002	4	EA	Nut Nylon Lock 4-40
60	2902-003	12	EA (8 USED)	Nut Nylon Lock 6-32
65	1802-105	1	EA	Box Phone Flush
67	1802-155	1	EA	Box Rough In Flush
70	1802-029	1	EA	Subplate Slant Display
75	1802-053	1	EA	Faceplate Phone Slant Dsp
80	1862-010	1	EA	PCB Telephone 2 Relay
84	2900-928	1	EA	Standoff Stel Male/Female 1/4"
85	2905-003	2	EA (6 USED)	Screw Round Head 6-32 x 1/2"
86	1890-010	1	EA	PCB Display LCD 8 x 1 Line
90	2904-002	2	EA	Screw Round Head 4-40 x 3/8"
95	2905-001	1	EA	Screw Phillips Head 6-32 x 1/4"
100	1804-012	4	EA	Screw Nylon Pan Head 6-32 x 3/16"
105	1817-190	1	EA	Speaker Assembly Oval
110	1817-191	1	EA	Speaker Gasket Oval
113	1817-197	1	EA	Speaker Gasket Oval
120	1804-024	1	EA	Switch Micro NO NC C
123	1710-030	1	EA (3 USED)	Standoff Aluminum 7/16", 6-32
125	1802-031	1	EA	Terminal 14 Pin
130	1804-060	1	EA	Transformer 16.5 VAC, 20 VA Plug
135	1800-018	2.33	FT	Weather Strip .125"x .187"
137	2356-010	1	EA	PCB LED Light Straight
150	7082-059	1	EA	Wire - Green 18 AWG Strd
155	1804-040	1	EA	Wire Telephone Line Cord
160	1804-028	3	EA (1 USED)	Mount Wire Clip
180	2600-884	1	EA	Label E.T.L. Separable
190	2600-734	1	EA	Nameplate Plastic DKS Small
193	1897-050	2	EA	Gasket Support Thick 1/16"
195	2802-040	2	EA	Washer Push on Clamp
205	1810-075	1	EA	Memory 1000 Phone Numbers
210	1876-025	1	EA	Ferrite Snap-On Filter Steward
XXA	2600-735	1	EA	Hole Plug Black Nylon .250" dia.
XXB		1	EA	Wire Harness 1802 Front Panel
XXC		4	EA	Screw Phillips Head 10-32 x 1/2"
XXD		4	EA	Screw Phillips Head 10-32 x 3/8"

1802 Flush Mount - Enclosure & Rough-In Box



1802 Flush Mount - Faceplate

